
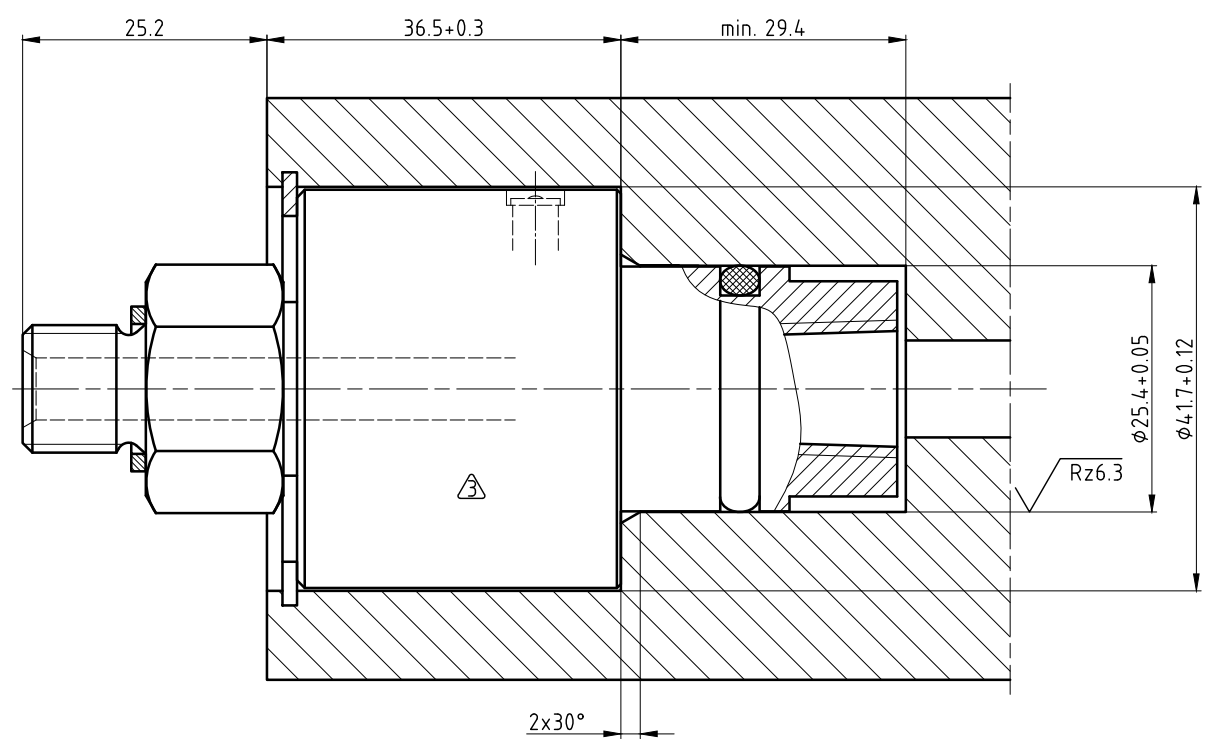
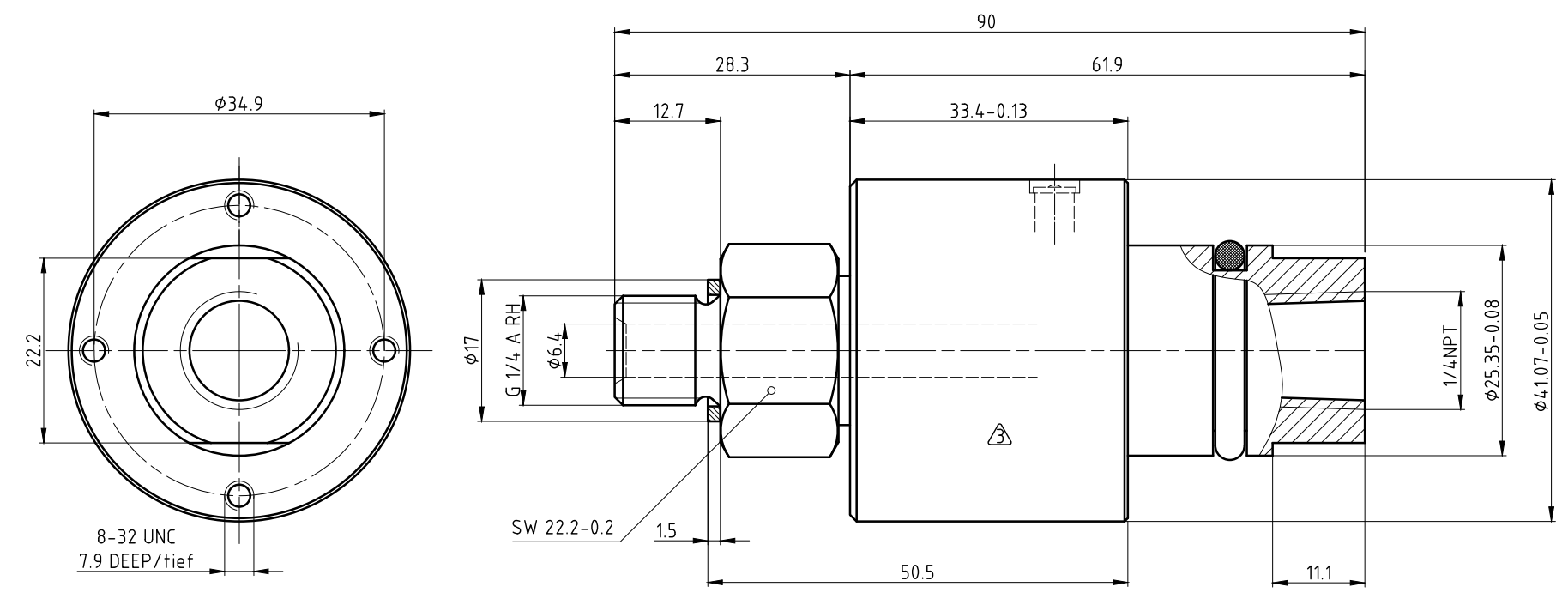


CONFIDENTIAL
THIS DOCUMENT CONTAINS CONFIDENTIAL AND PROPRIETARY INFORMATION OF DEUBLIN COMPANY. COPYING, USE, TRANSMISSION, DISTRIBUTION, AND DISCLOSURE ARE SUBJECT TO THE TERMS AND CONDITIONS CONTAINED IN YOUR AGREEMENT WITH DEUBLIN COMPANY. ALL RIGHTS RESERVED.

NOTES:

- 1 - WHEN ORDERING FROM DEUBLIN USE PART NUMBER 1102-025-103
- 2 - USE INSTRUCTION MANUAL 40-567
-  - OPTIONAL USAGE




CUSTOMER SHAFT DIMENSIONS

OPERATING DATA / Betriebsdaten		
MEDIA/Medium	Hydrauliköl / Druckluft HYDRAULIC OIL / COMPRESSED AIR	
p max. Hydrauliköl HYDRAULIC OIL	1000 PSI	70 bar
p max. Druckluft COMPRESSED AIR	150 PSI	10 bar
VACUUM/Vakuum max.	28" Hg	6,7 kPa
f max.	250 °F	120 °C
n max.	3500 RPM	3500 1/min

DEUBLIN GmbH
D-65719 HOFHEIM-WALLAU, GERMANY

ISSUE	MODIFICATION	ECO	DATE	SIGN

PROJECTION: 

SCALE: 2:1 Z:\UNIONS\

MATERIAL:

TITLE: **DEUBLIN ROTATING UNION**
DEUBLIN Drehdurchführung

NO. **1102-025-103-IC**

UNLESS SPECIFICALLY TOLERANCED, ALL DIMENSIONS ARE CONSIDERED REFERENCE

SHEET