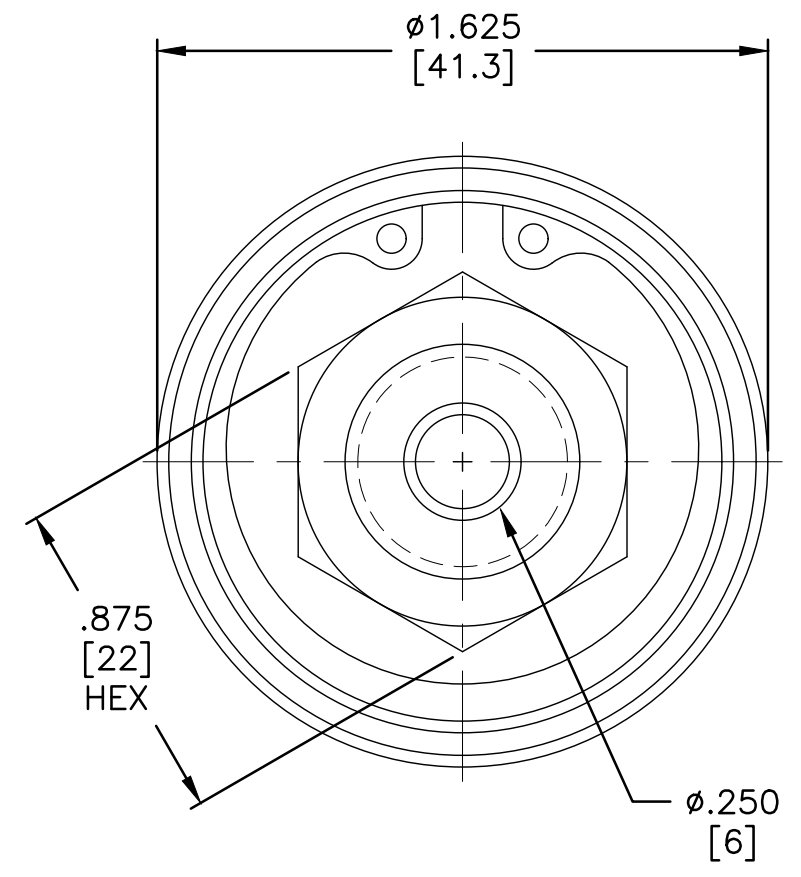
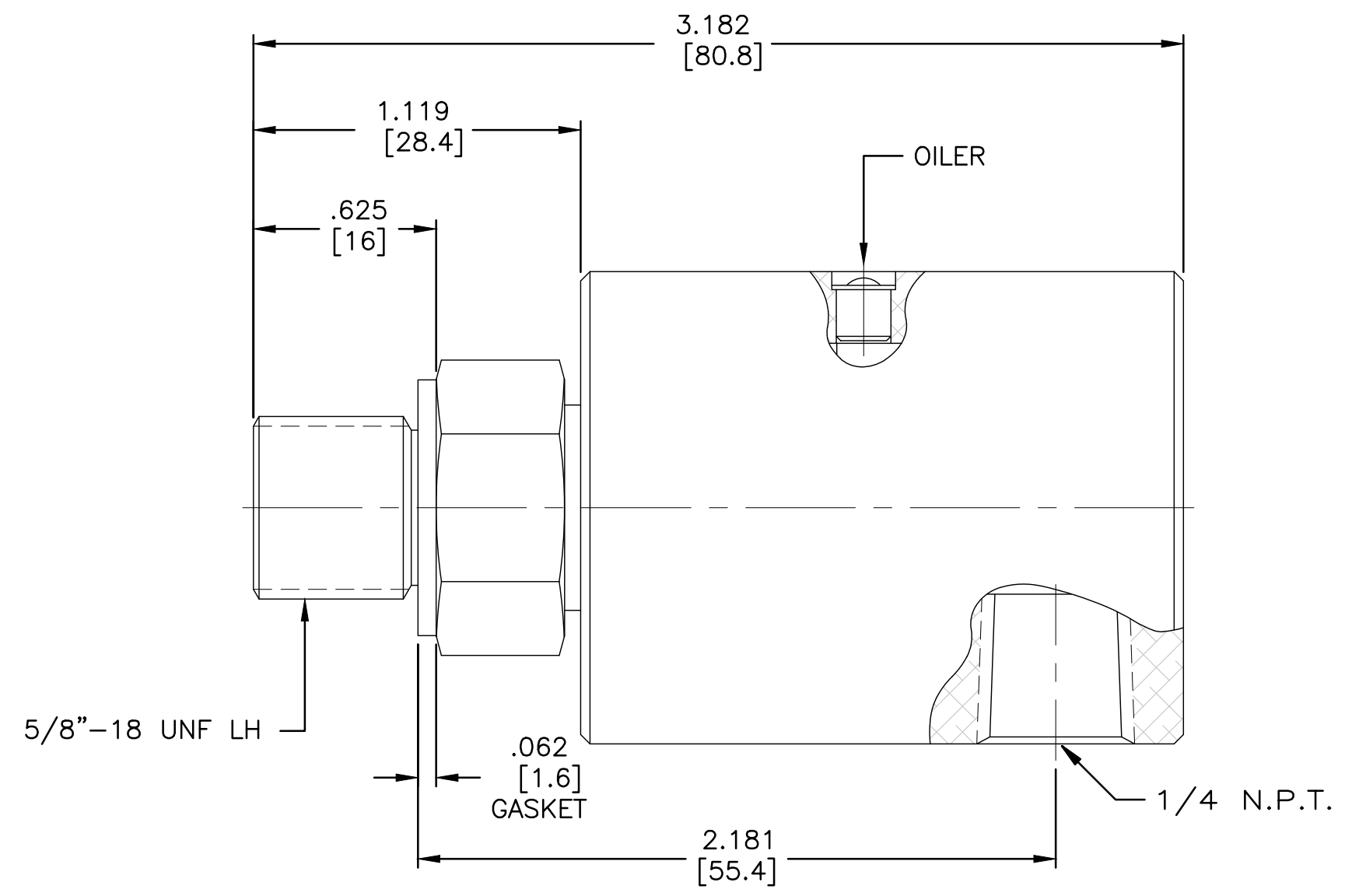


NOTES:

1 - WHEN ORDERING FROM DEUBLIN USE PART NUMBER 1102-070-079.



| OPERATING DATA | |
|-------------------|----------|
| MAX AIR PRESSURE | 150 PSI |
| MAX HYD. PRESSURE | 1000 PSI |
| MAX SPEED | 3500 RPM |
| MAX TEMPERATURE | 250° F |



CONFIDENTIAL
 THIS DOCUMENT CONTAINS PROPRIETARY INFORMATION AND IS NOT TO BE TRANSMITTED, REPRODUCED, USED OR DISCLOSED TO ANYONE WITHOUT THE WRITTEN PERMISSION OF THE DEUBLIN COMPANY.

| LET. | REVISION | ECO | DATE | SIGN |
|------|----------|-----|------|------|
| | | | | |
| | | | | |
| | | | | |
| | | | | |
| | | | | |
| | | | | |
| | | | | |
| | | | | |
| | | | | |
| | | | | |

EQUIPMENT REF:

SCALE: 2:1

| | | |
|------|----|----------|
| DRN | RM | 04/23/03 |
| ENGR | RC | 04/23/03 |
| APPD | RC | 04/23/03 |

UNLESS OTHERWISE SPECIFIED:

1. UNTOLERANCED DIMENSIONS ±.010
2. MACHINED DIAS CONCENTRIC WITHIN .005 T.I.R.
3. COUNTERSINK TAPPED HOLES TO FIRST THREAD
4. REMOVE BURRS AND SHARP CORNERS .010 MAX
5. ANGLE TOLERANCE ± 1/2°
6. ALL DIMENSIONS ARE FINISHED
7. DIP PARTS IN CORROSION PREVENTATIVE OIL

DEUBLIN COMPANY
 WAUKEGAN, ILLINOIS, U.S.A.

TITLE: INTERFACE CONTROL
 DRAWING FOR DEUBLIN
 UNION 1102-070-079

NO. 1102-070-079-IC C.A.D DRAWING