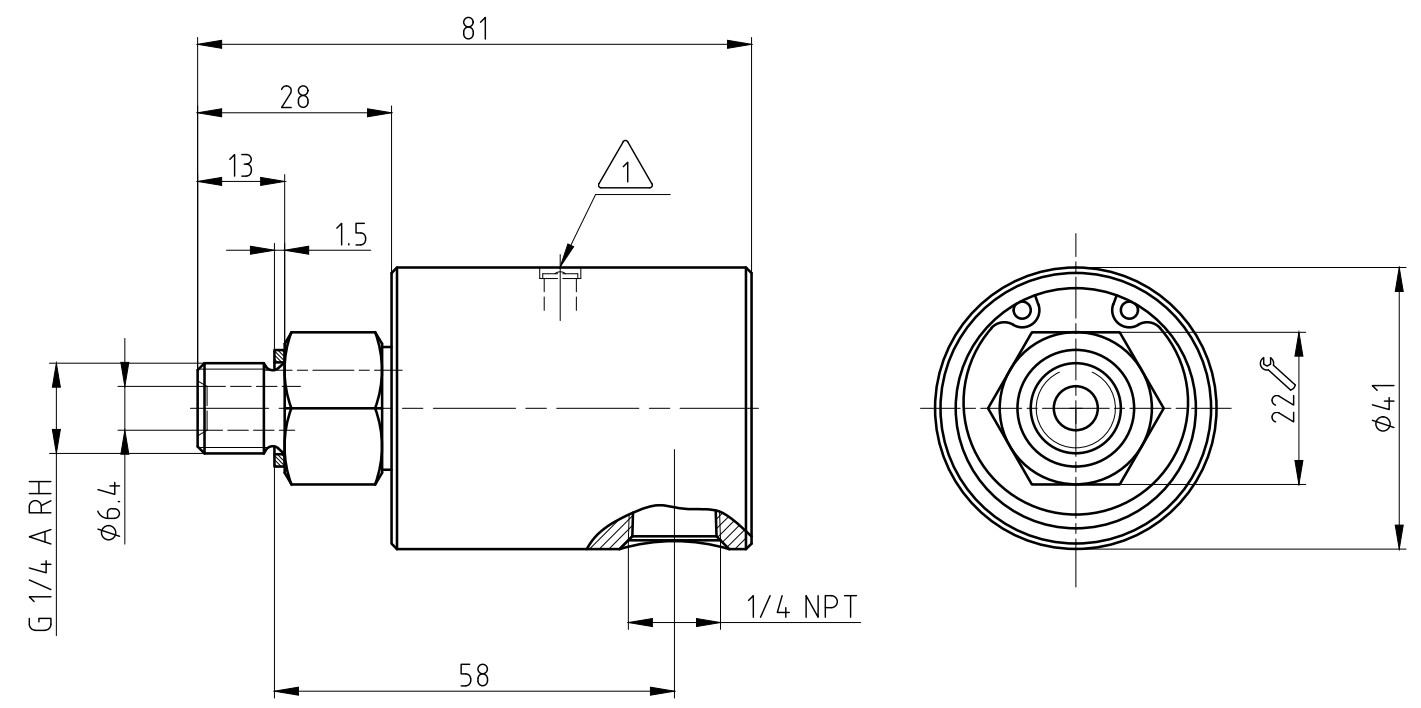


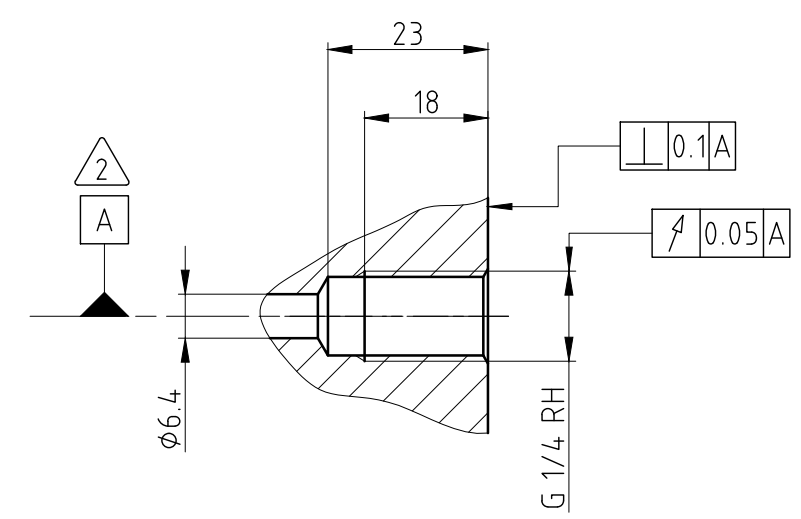
CONFIDENTIAL
 THIS DOCUMENT CONTAINS CONFIDENTIAL AND PROPRIETARY
 INFORMATION OF DEUBLIN COMPANY. COPYING, USE,
 TRANSMISSION, DISTRIBUTION, AND DISCLOSURE ARE SUBJECT
 TO THE TERMS AND CONDITIONS CONTAINED IN YOUR
 AGREEMENT WITH DEUBLIN COMPANY. ALL RIGHTS RESERVED.

NOTES:

- ① - OILER FOR AIR AND VACUUM APPLICATIONS.
- ② - SPINDLE BEARING ARRANGEMENT.



CUSTOMER INTERFACE



OPERATING DATA			
MEDIA	AIR	VACUUM	HYDRAULIC OIL
PRESSURE MAX.	10 bar	7 kPa	70 bar
SPEED MAX.	3500 min ⁻¹	3500 min ⁻¹	3500 min ⁻¹
TEMPERATURE MAX.	120 °C	120 °C	120 °C
FLOW RATE MAX.	1133 NI/min	- NI/min	15 L/min
DRY RUN	NO	NO	NO

	PROJECTION:		SCALE: 1:1
	MATERIAL:		INTERFACE CONTROL DRAWING
DATE	NAME	TITLE:	
DRN. 29.08.2012	CR	DEUBLIN ROTATING UNION	
ENGR. 29.08.2012	CW	DEUBLIN Drehdurchführung	
APPD.		NO.	SHEET
UNLESS SPECIFICALLY TOLERANCED, ALL DIMENSIONS ARE CONSIDERED REFERENCE		1102-070-103	A3
ISSUE	MODIFICATION	ECO	DATE
			SIGN