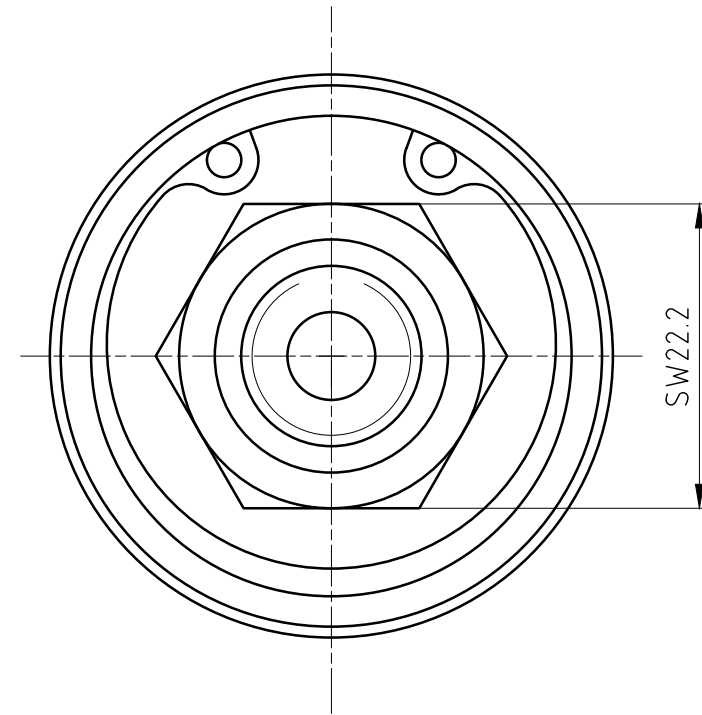
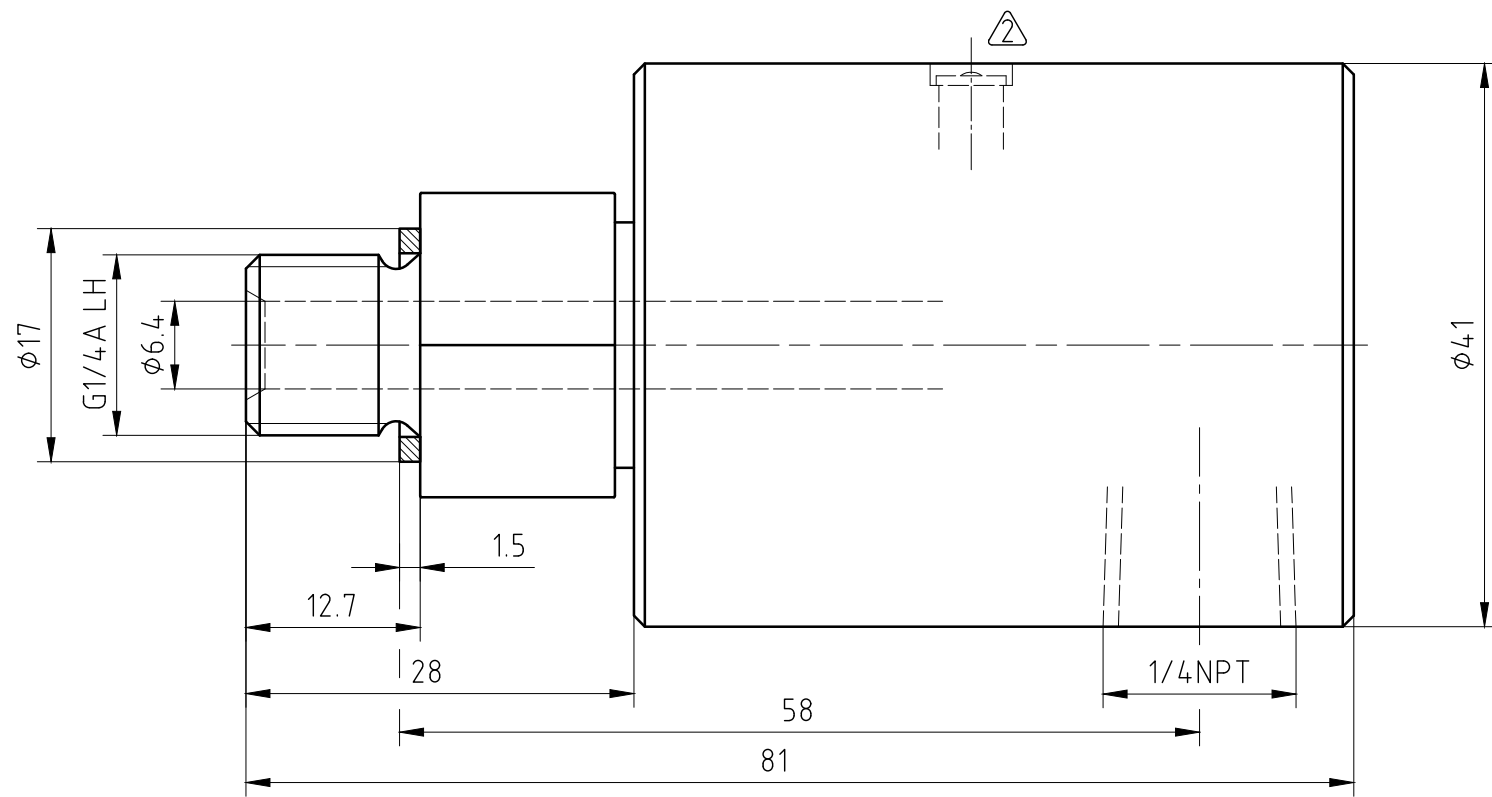


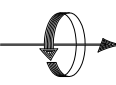
NOTES:

- 1 - USE INSTRUCTION MANUAL 040-555!
-  - OILER FOR AIR AND VACUUM APPLICATIONS.

CONFIDENTIAL  
 THIS DOCUMENT CONTAINS CONFIDENTIAL AND PROPRIETARY  
 INFORMATION OF DEUBLIN COMPANY. COPYING, USE,  
 TRANSMISSION, DISTRIBUTION, AND DISCLOSURE ARE SUBJECT  
 TO THE TERMS AND CONDITIONS CONTAINED IN YOUR  
 AGREEMENT WITH DEUBLIN COMPANY. ALL RIGHTS RESERVED.



OPERATING DATA	
MEDIA	HYDRAULIC OIL, AIR, VACUUM
PRESSURE MAX. HYDRAULIC	70 bar
PRESSURE MAX. AIR	10 bar
VACUUM	6.7 kPa
SPEED MAX.	3500 min <sup>-1</sup>
TEMPERATURE MAX.	120 °C
DRY RUN (WITHOUT ANY MEDIA)	NO

 <b>DEUBLIN GmbH</b> D-65719 HOFHEIM-WALLAU, GERMANY	PROJECTION:	SCALE: 2:1	MATERIAL: INTERFACE CONTROL DRAWING						
	<table border="1"> <tr> <td>DATE</td> <td>NAME</td> </tr> <tr> <td>DRN. 09.07.2009</td> <td>CW</td> </tr> <tr> <td>ENGR. 09.07.2009</td> <td>FD</td> </tr> <tr> <td>APPD.</td> <td></td> </tr> </table>	DATE		NAME	DRN. 09.07.2009	CW	ENGR. 09.07.2009	FD	APPD.
DATE	NAME								
DRN. 09.07.2009	CW								
ENGR. 09.07.2009	FD								
APPD.									
UNLESS SPECIFICALLY TOLERANCED, ALL DIMENSIONS ARE CONSIDERED REFERENCE		NO. 1102-070-104	SHEET A3						
ISSUE	MODIFICATION	ECO	DATE	SIGN					