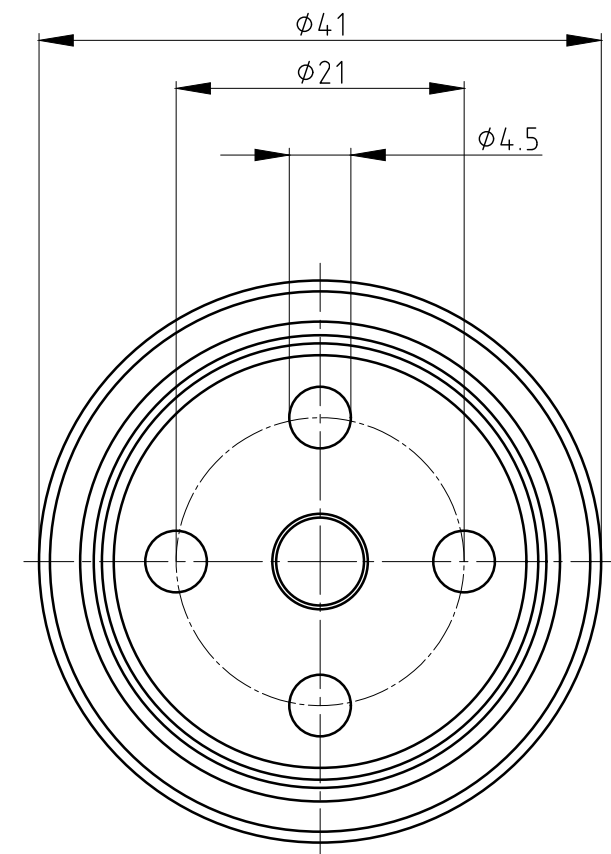
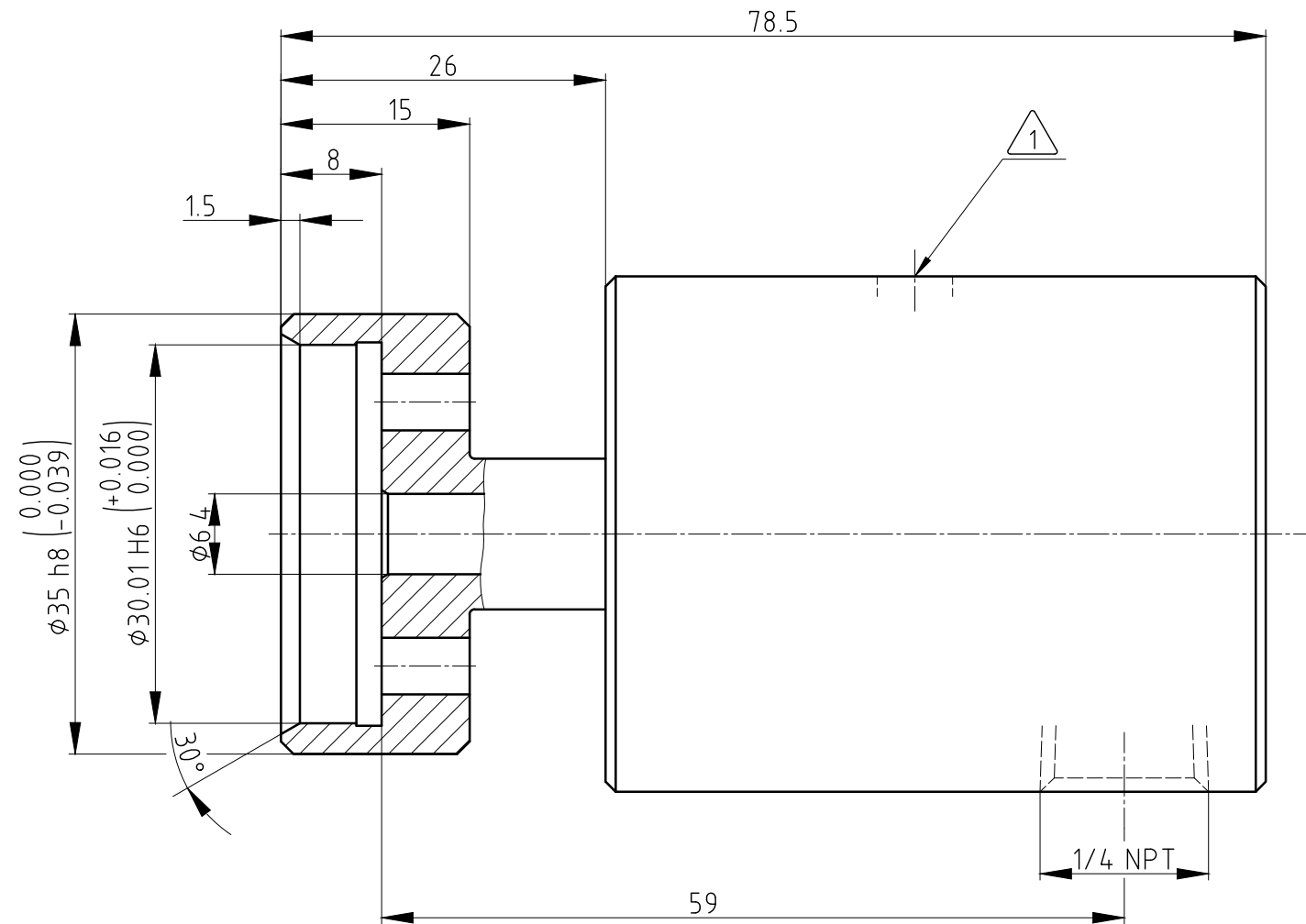


CONFIDENTIAL
 THIS DOCUMENT CONTAINS CONFIDENTIAL AND PROPRIETARY INFORMATION OF DEUBLIN COMPANY. COPYING, USE, TRANSMISSION, DISTRIBUTION, AND DISCLOSURE ARE SUBJECT TO THE TERMS AND CONDITIONS CONTAINED IN YOUR AGREEMENT WITH DEUBLIN COMPANY. ALL RIGHTS RESERVED.

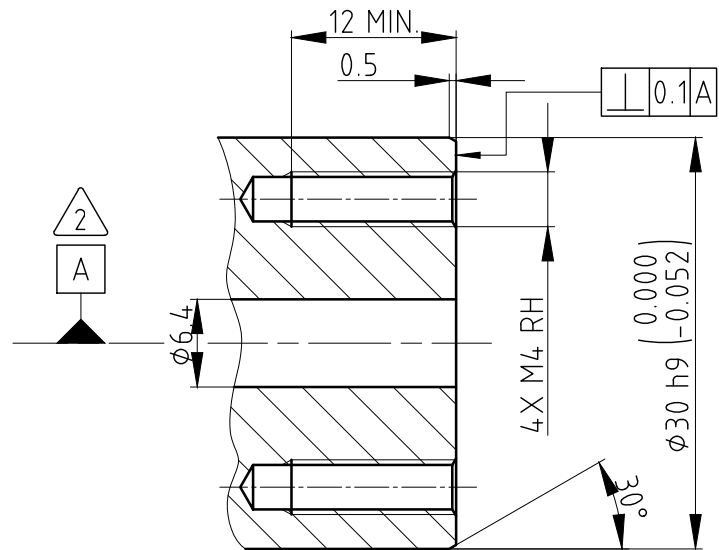
φ35	h8	0.000 -0.039	35.000 34.961
φ30.01	H6	+0.016 0.000	30.026 30.010
φ30	h9	0.000 -0.052	30.000 29.948
Maß	Passung		

NOTES:

- ① - OILER FOR AIR AND VACUUM APPLICATIONS.
- ② - SPINDLE BEARING ARRANGEMENT.



CUSTOMER INTERFACE



OPERATING DATA			
MEDIA	AIR	VACUUM	HYDRAULIC OIL
PRESSURE MAX.	10 bar	7 kPa	70 bar
SPEED MAX.	3500 min ⁻¹	3500 min ⁻¹	3500 min ⁻¹
TEMPERATURE MAX.	120 °C	120 °C	120 °C
FLOW RATE MAX.	1133 NL/min	- NL/min	15 L/min
DRY RUN	NO	NO	NO

		PROJECTION:	SCALE: 2:1
			MATERIAL: INTERFACE CONTROL DRAWING
DRN.	18.02.2013	NAME	TITLE: DEUBLIN ROTATING UNION
ENGR.	18.02.2013	CR	DEUBLIN Drehdurchführung
APPD.		CW	
UNLESS SPECIFICALLY TOLERANCED, ALL DIMENSIONS ARE CONSIDERED REFERENCE			NO. 1102-070-166
ISSUE	MODIFICATION	ECO	DATE
			SIGN
			SHEET A3