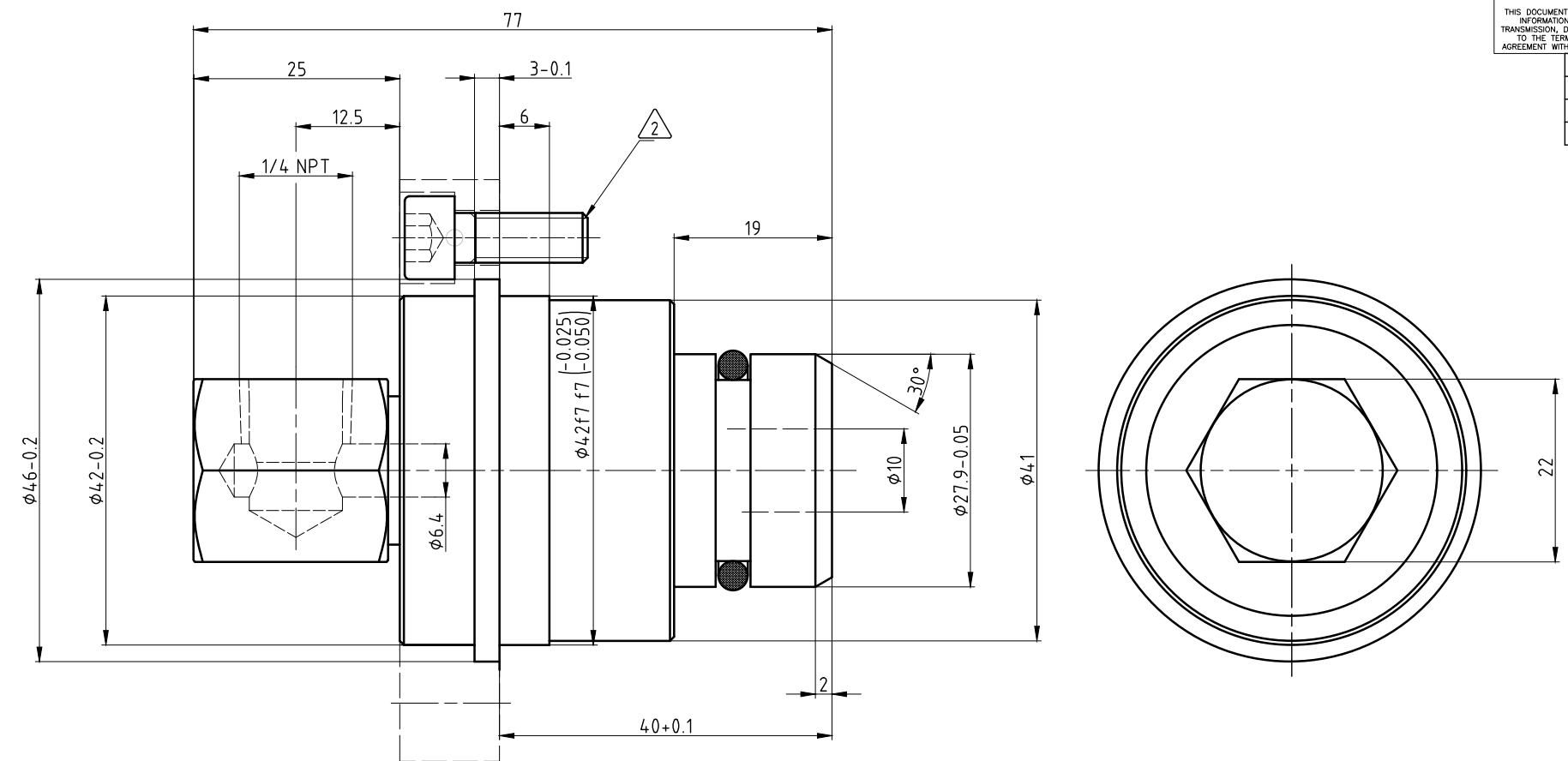


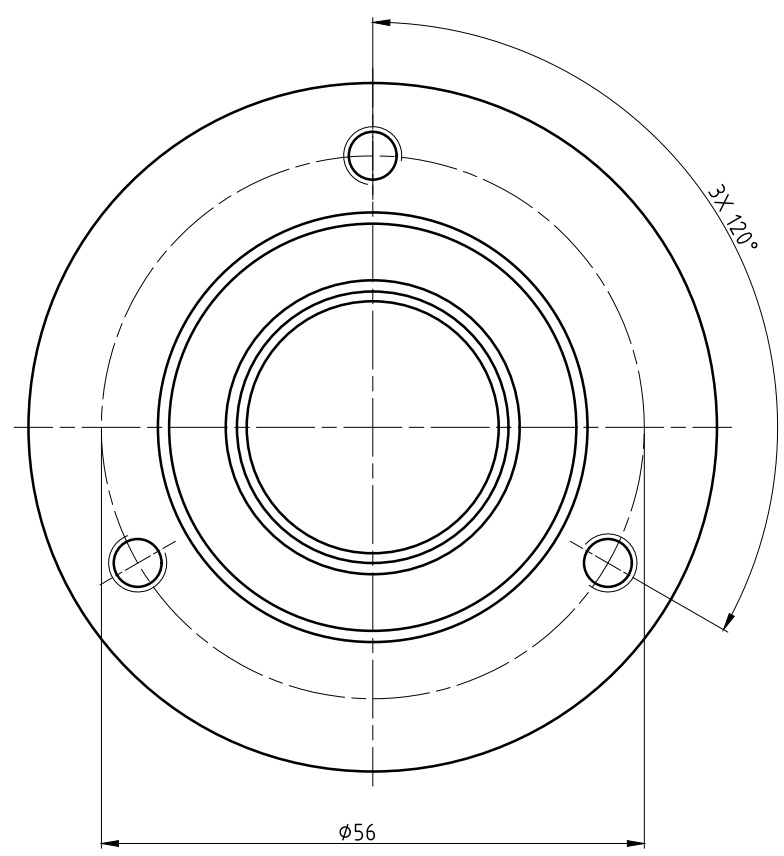
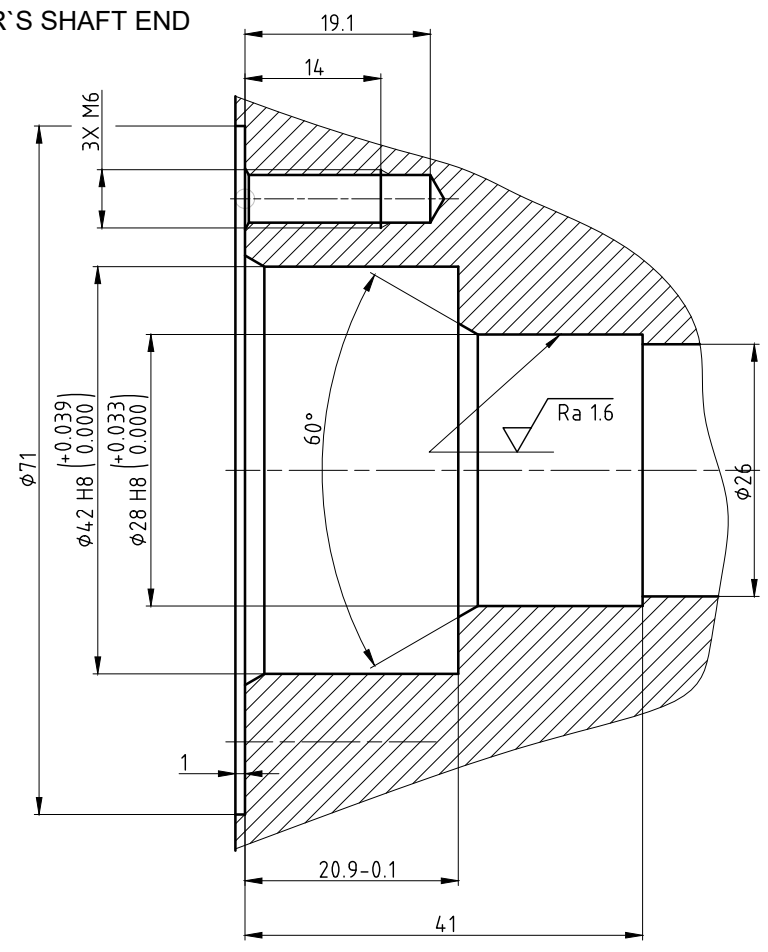
CONFIDENTIAL
THIS DOCUMENT CONTAINS CONFIDENTIAL AND PROPRIETARY INFORMATION OF DEUBLIN COMPANY. COPYING, USE, TRANSMISSION, DISTRIBUTION, AND DISCLOSURE ARE SUBJECT TO THE TERMS AND CONDITIONS CONTAINED IN YOUR AGREEMENT WITH DEUBLIN COMPANY. ALL RIGHTS RESERVED.

φ42	f7	+0.025	41975
φ42	H8	+0.039	42039
φ28	H8	+0.033	28033
Maß	Passung	0.000	28.000

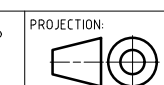
- NOTES:
 1 - CONTACT DEUBLIN OR VISIT WWW.DEUBLIN.COM FOR INSTRUCTION MANUAL: 040-555.
 2 - 3X DIN912-M6x16 (SUPPLIED BY CUSTOMER)
 3 - FLANGE (SUPPLIED BY CUSTOMER)



CUSTOMER'S SHAFT END



OPERATING DATA			
MEDIA	AIR	VACUUM	HYDRAULIC OIL
PRESSURE MAX.	10 bar	6.7 kPa	70 bar
SPEED MAX.	3500 min ⁻¹		
TEMPERATURE MAX.	120 °C		



PROJECTION:
 SCALE: 2:1
 MATERIAL: INTERFACE CONTROL DRAWING

DATE	NAME
DRN. 25.03.2015	HS
ENGR. 25.03.2015	CW
APPD.	

TITLE: DEUBLIN ROTATING UNION
 DEUBLIN Drehdurchführung

NO. 1102-227-001

SHEET A2

ISSUE MODIFICATION ECO DATE SIGN

UNLESS SPECIFICALLY TOLERANCED, ALL DIMENSIONS ARE CONSIDERED REFERENCE