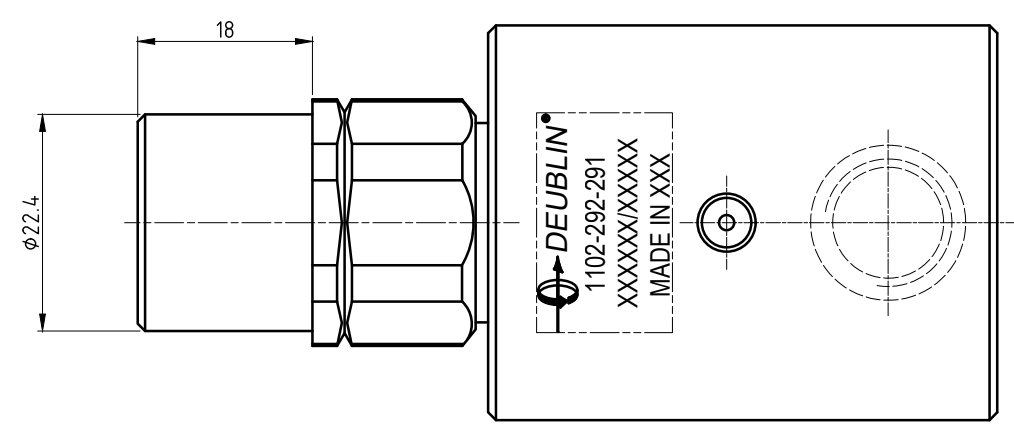
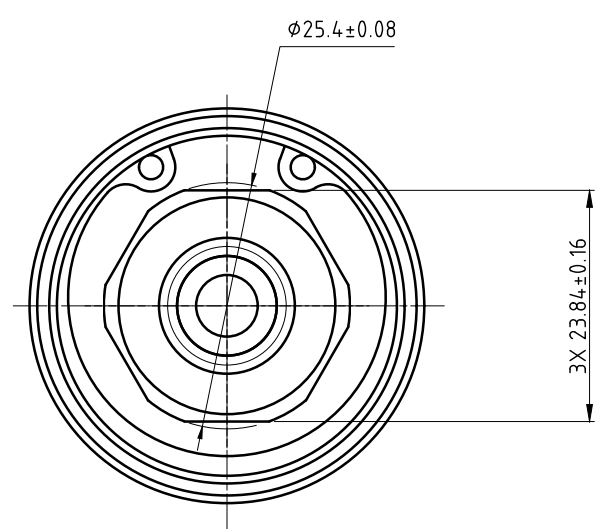
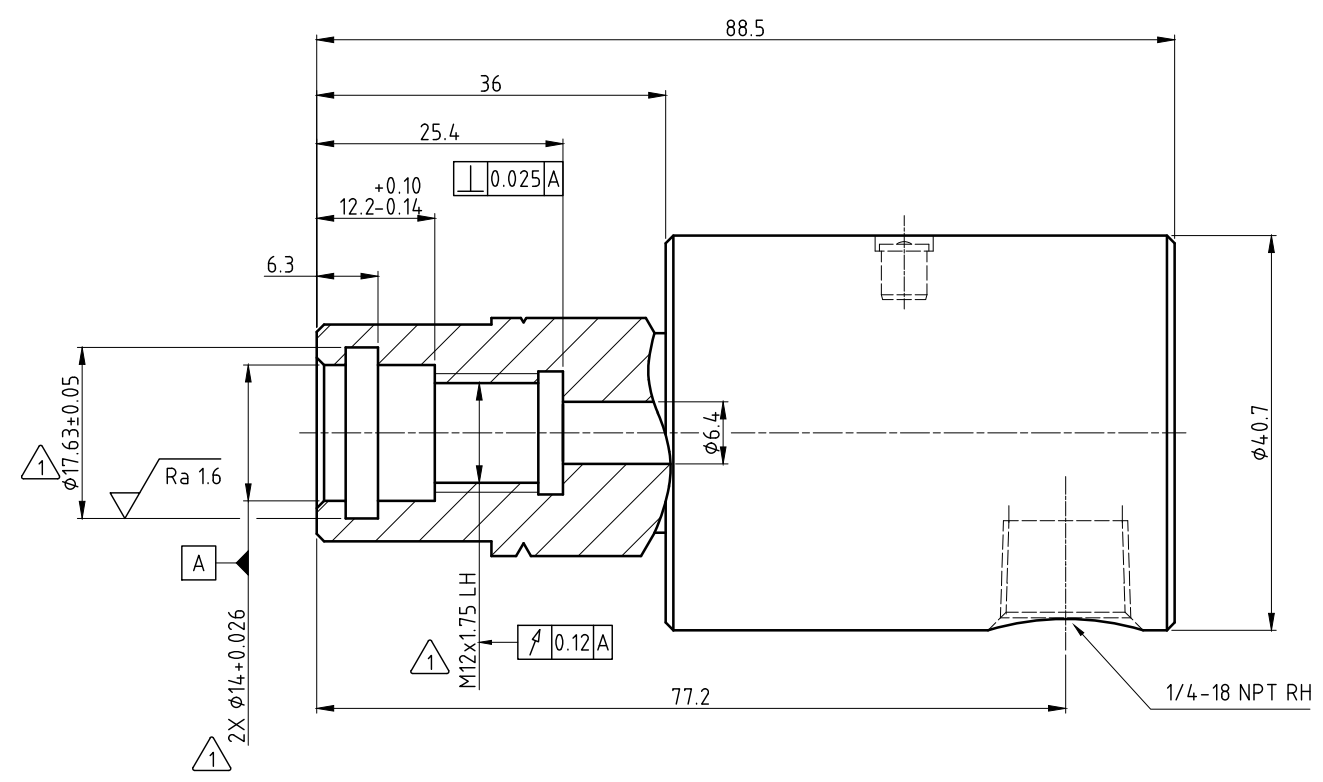


CONFIDENTIAL  
 THIS DOCUMENT CONTAINS CONFIDENTIAL AND PROPRIETARY  
 INFORMATION OF DEUBLIN COMPANY. COPYING, USE,  
 TRANSMISSION, DISTRIBUTION, AND DISCLOSURE ARE SUBJECT  
 TO THE TERMS AND CONDITIONS CONTAINED IN YOUR  
 AGREEMENT WITH DEUBLIN COMPANY. ALL RIGHTS RESERVED.

NOTES:

① - CRITICAL DIMENSION.



OPERATING DATA				
MEDIA		AIR	HYDRAULIC OIL	VACUUM
PRESSURE	MAXIMUM	10 bar	70 bar	6.7 kPa
TEMPERATURE	MAXIMUM	121 °C	121 °C	121 °C
	MINIMUM	5 °C	5 °C	5 °C
SPEED	MAXIMUM	3500 min <sup>-1</sup>	3500 min <sup>-1</sup>	3500 min <sup>-1</sup>
DRY RUN		NO		

		PROJECTION:	SCALE: 2:1
DRN. 12/06/2012 GALINDOLM ENGR. APPD.		DATE: 12/06/2012 NAME: GALINDOLM	MATERIAL:
TITLE: <b>INTERFACE CONTROL DRAWING          DEUBLIN ROTATING UNION</b>			NO. <b>1102-292-291-IC</b>
ISSUE MODIFICATION ECO DATE SIGN	UNLESS SPECIFICALLY TOLERANCED, ALL DIMENSIONS ARE CONSIDERED REFERENCE		SHEET A2