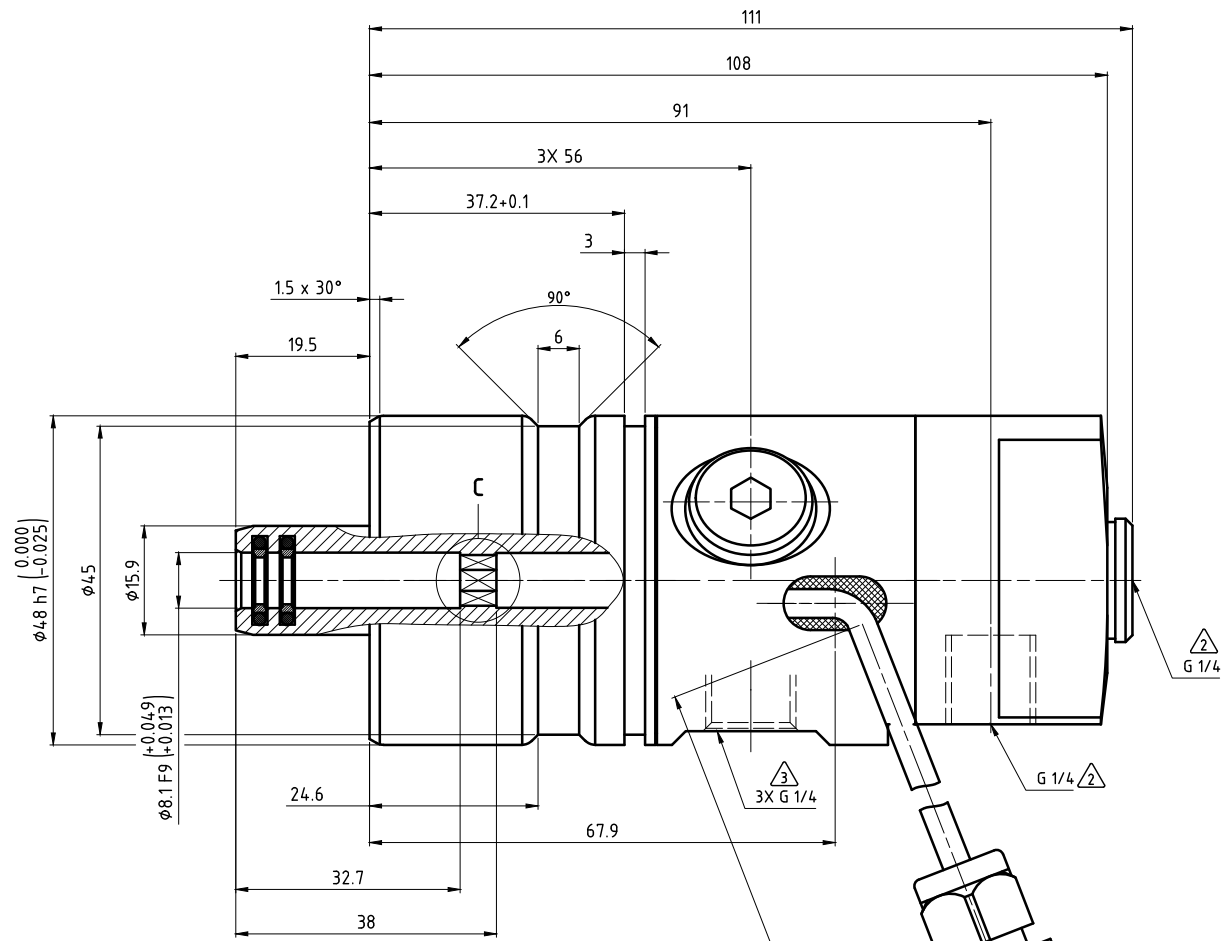
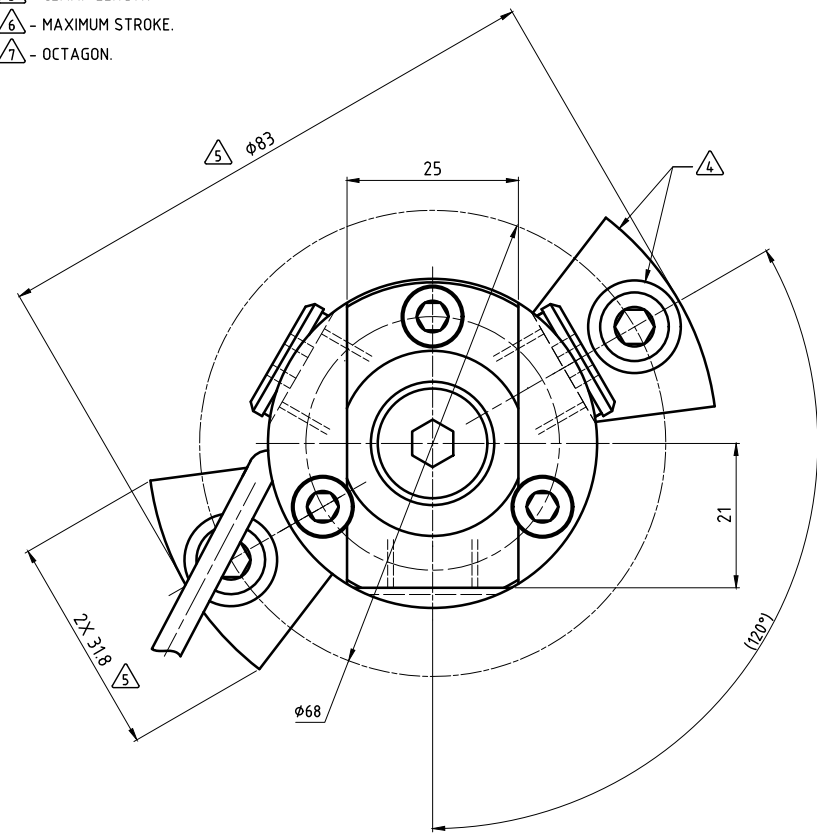


CONFIDENTIAL  
 THIS DOCUMENT CONTAINS CONFIDENTIAL AND PROPRIETARY INFORMATION OF DEUBLIN COMPANY. IT IS TO BE KEPT UNDER STRICT CONTROL AND IS TO BE RETURNED TO THE TERMS AND CONDITIONS CONTAINED IN YOUR AGREEMENT WITH DEUBLIN COMPANY. ALL RIGHTS RESERVED.

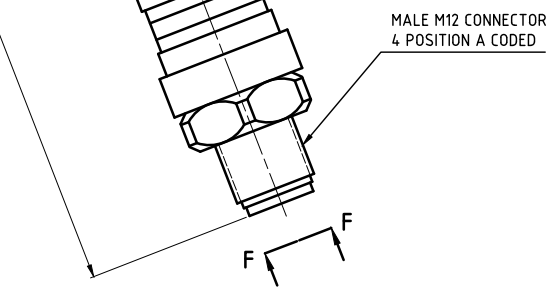
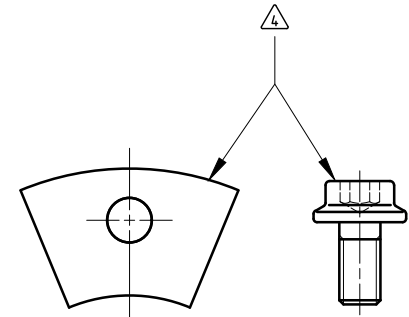
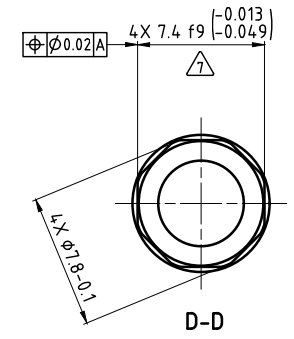
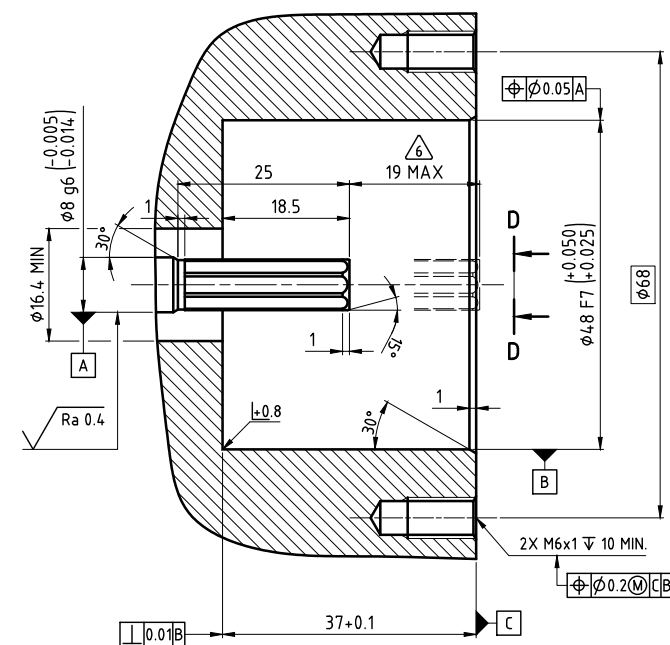
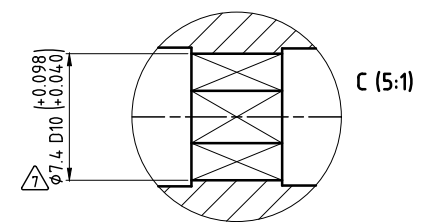
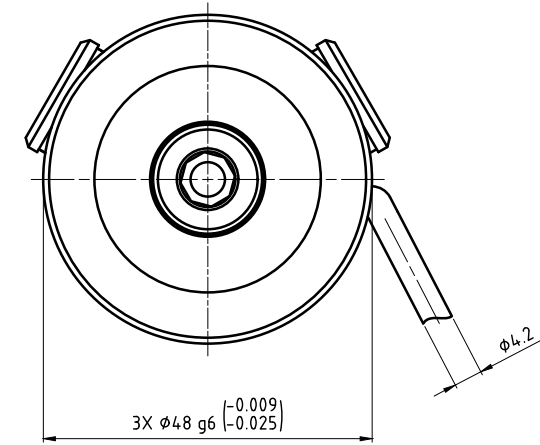
- NOTES:  
 1 - CONTACT DEUBLIN OR VISIT WWW.DEUBLIN.COM FOR INSTRUCTION MANUAL: 040-553  
 2 - MEDIA SUPPLY PORT IS COMPLIANT WITH ISO 228 & ISO 1179. RECOMMENDED FITTING TIGHTENING TORQUE IS 15 Nm.  
 3 - DRAIN PORT THREAD DEPTH IS SHORTER THAN REQUIREMENT FOR A STANDARD FITTING. DRAIN FITTING THREAD LENGTH CAN NOT EXCEED 8 mm.  
 4 - 2X CLAMP & 2X SCREW M6x12 SUPPLIED BY DEUBLIN.  
 5 - CLAMP LENGTH  
 6 - MAXIMUM STROKE.  
 7 - OCTAGON.



CONNECTOR PIN CABLE WIRE

PIN 1	+24 VDC - YELLOW
PIN 2	TEST - BROWN
PIN 3	GROUND - GREEN
PIN 4	SIGNAL - WHITE

F-F



PATENT #7,692,553

SPINDLESHIELD™ DATA

OPERATING DATA	Vcc*	Test	OUTPUT Signal**
NORMAL OPERATION	+24 VDC	NOT CONNECTED	+24 VDC
LEAK DETECTED	+24 VDC	NOT CONNECTED	0 VDC
SENSOR TEST MODE	+24 VDC	CONNECTED TO GND	0 VDC
OPEN CIRCUIT SIGNAL WIRE	+24 VDC	NOT CONNECTED	0 VDC
OPEN CIRCUIT POWER WIRE	NOT CONNECTED	NOT CONNECTED	0 VDC

Recommended load current ≤ 50mA  
 \*24 VDC normal, 15 VDC minimum, 28 VDC maximum.  
 \*\*Signal wire output is Vcc minus 0.8 VDC minimum.

OPERATING DATA

MEDIA PRESSURE	COOLANT	MQL
MAXIMUM	150 bar	10 bar
MINIMUM	1 bar	1 bar
MAXIMUM FLOW RATE	24.3 L/min	1128 NL/min
MINIMUM FLOW RATE	1 L/min	160 NL/min
MAXIMUM TEMPERATURE	70 °C	70 °C
MINIMUM TEMPERATURE	5 °C	5 °C
MAXIMUM SPEED	24000 min <sup>-1</sup>	24000 min <sup>-1</sup>
AXIAL FORCE	5.02 N/bar	
DRY RUN	UNPRESSURIZED ONLY	
RECOMMENDED FILTRATION	ISO 4406 CLASS 17/15/12	

CUSTOMER INTERFACE

DEUBLIN  
 Engineered for Performance

PROJECTION: SCALE: 2:1

MATERIAL: INTERFACE CONTROL DRAWING

TITLE: DEUBLIN UNION, POP OFF, LEAK SENSOR, 24k/min BORE-MOUNTED

NO. 1103-840-835

DATE: 02/01/11 NAME: GA  
 DRN: 02/01/11 ENGR: JL / EL

ISSUE/ MODIFICATION ECD DATE SIGN