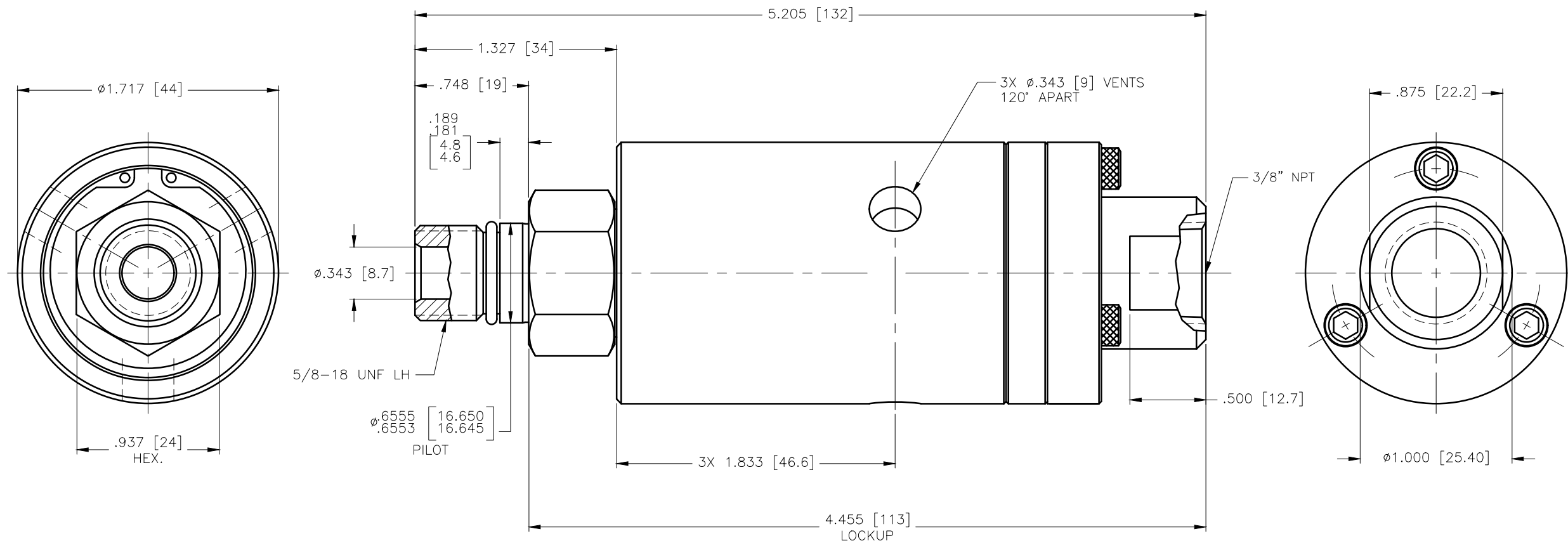


NOTES:

1 - RECOMMENDED FILTRATION IS 10 MICRONS.

CONFIDENTIAL
THIS DOCUMENT CONTAINS CONFIDENTIAL AND PROPRIETARY INFORMATION OF DEUBLIN COMPANY. COPYING, USE, TRANSMISSION, DISTRIBUTION, AND DISCLOSURE ARE SUBJECT TO THE TERMS AND CONDITIONS CONTAINED IN YOUR AGREEMENT WITH DEUBLIN COMPANY. ALL RIGHTS RESERVED.



OPERATING DATA		
MEDIA	COOLANT	
MAX COOLANT PRESSURE	1500 PSI	105 bar
MAX SPEED	15,000 RPM	15,000/min
MAX FLOW RATE	21.6 GPM	82 L/min
MAX TEMPERATURE	160°F	70°C

SCALE	2:1	DWG SIZE		UNLESS SPECIFICALLY TOLERANCED, ALL DIMENSIONS ARE REFERENCE DIMENSIONS IN [] ARE IN MILLIMETERS.	DEUBLIN COMPANY WAUKEGAN, ILLINOIS, U.S.A. TITLE: INTERFACE CONTROL DRAWING OF DEUBLIN UNION 1108-002-102 DWG NO. 1108-002-102 C.A.D DRAWING
DRN	NR	12/08/09			
ENGR	TW	12/08/09			
APPD	TW	12/08/09			
PART NO.	1108-002-102				
CUSTOMER					
LET.	REVISION	ECO	DATE	SIGN	