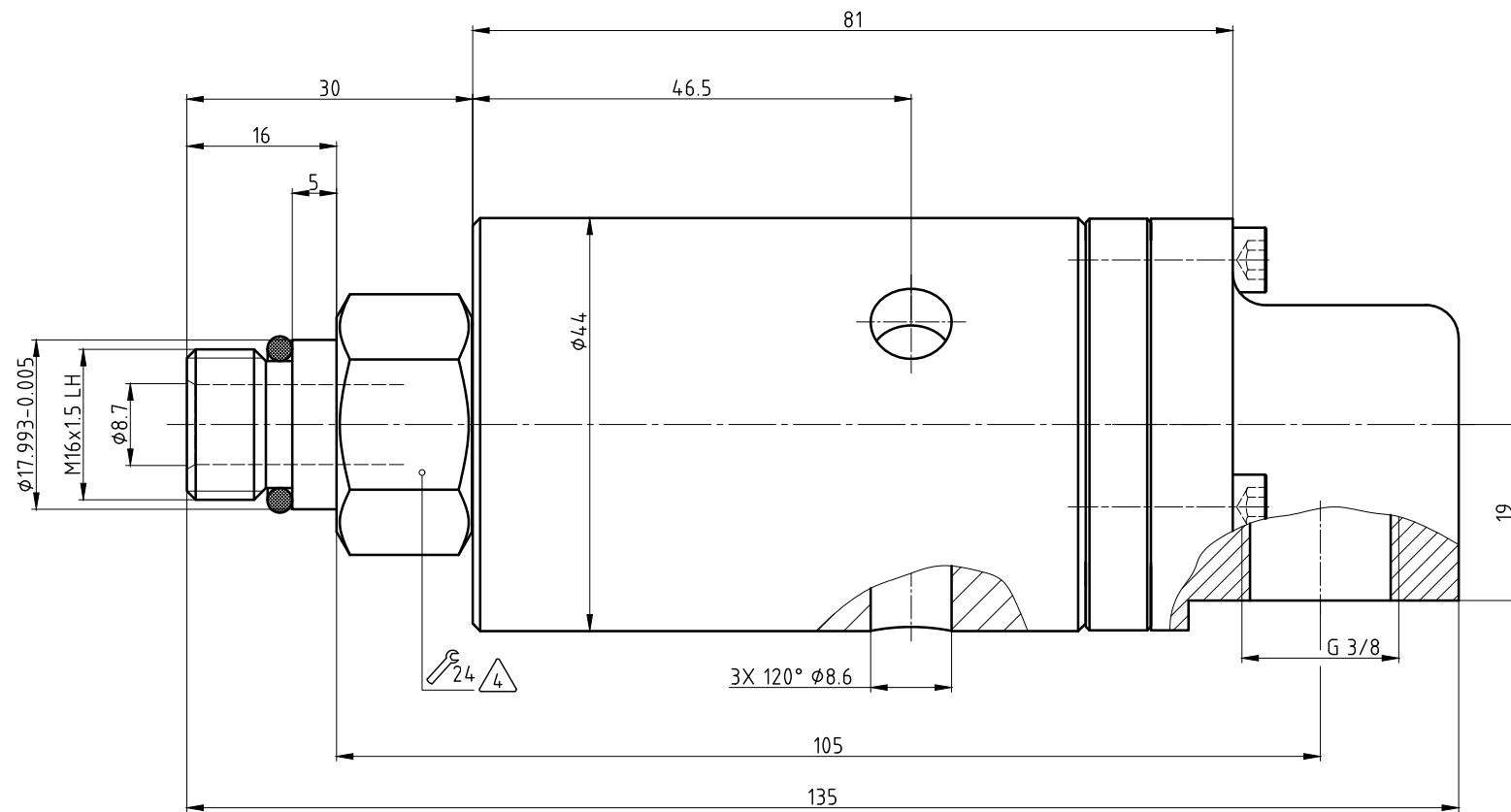
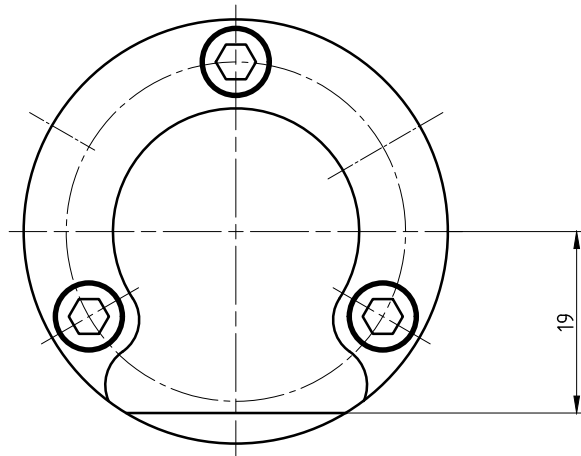


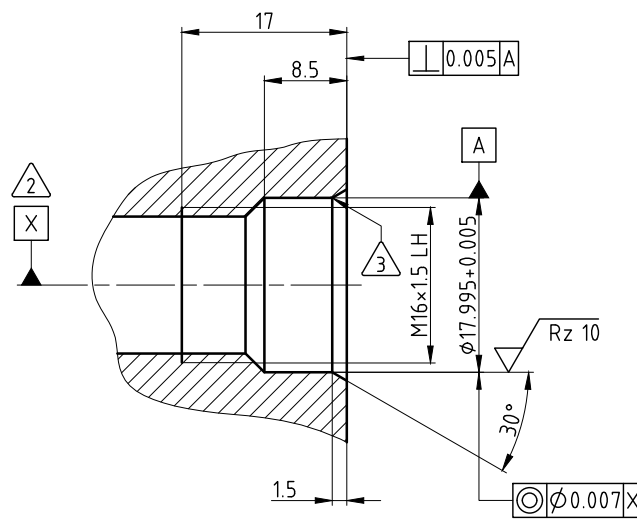
CONFIDENTIAL  
 THIS DOCUMENT CONTAINS CONFIDENTIAL AND PROPRIETARY  
 INFORMATION OF DEUBLIN COMPANY. COPYING, USE,  
 TRANSMISSION, DISTRIBUTION, AND DISCLOSURE ARE SUBJECT  
 TO THE TERMS AND CONDITIONS CONTAINED IN YOUR  
 AGREEMENT WITH DEUBLIN COMPANY. ALL RIGHTS RESERVED.

NOTES:

- 1 - CONTACT DEUBLIN OR VISIT WWW.DEUBLIN.COM  
 FOR INSTRUCTION MANUAL: 040-552.
- 2 - SPINDLE BEARING ARRANGEMENT
- 3 - ROUNDED.
- 4 - TORQUE TO 35Nm.



Ⓑ CUSTOMER INTERFACE



OPERATING DATA	
MEDIA	COOLANT
PRESSURE MAX.	105 bar
SPEED MAX.	20000 min <sup>-1</sup>
TEMPERATURE MAX.	70 °C
DRY RUN (WITHOUT ANY MEDIA)	NO



PROJECTION: SCALE: 2:1  
 MATERIAL:

ISSUE	MODIFICATION	ECO	DATE	SIGN	DATE	NAME
C	WAS 70 bar	040667	01/17	FD	DRN. 12.07.2012	AF
B	INTERFACE REVISED	026902	01/14	FD	ENGR. 12.07.2012	HS
A	WAS 50 MM	019191	07/12	AF	APPD.	

TITLE: **DEUBLIN ROTATING UNION**  
**DEUBLIN Einführung**  
 NO. **1108-011-153**  
 SHEET A2

UNLESS SPECIFICALLY TOLERANCED, ALL DIMENSIONS ARE CONSIDERED REFERENCE