

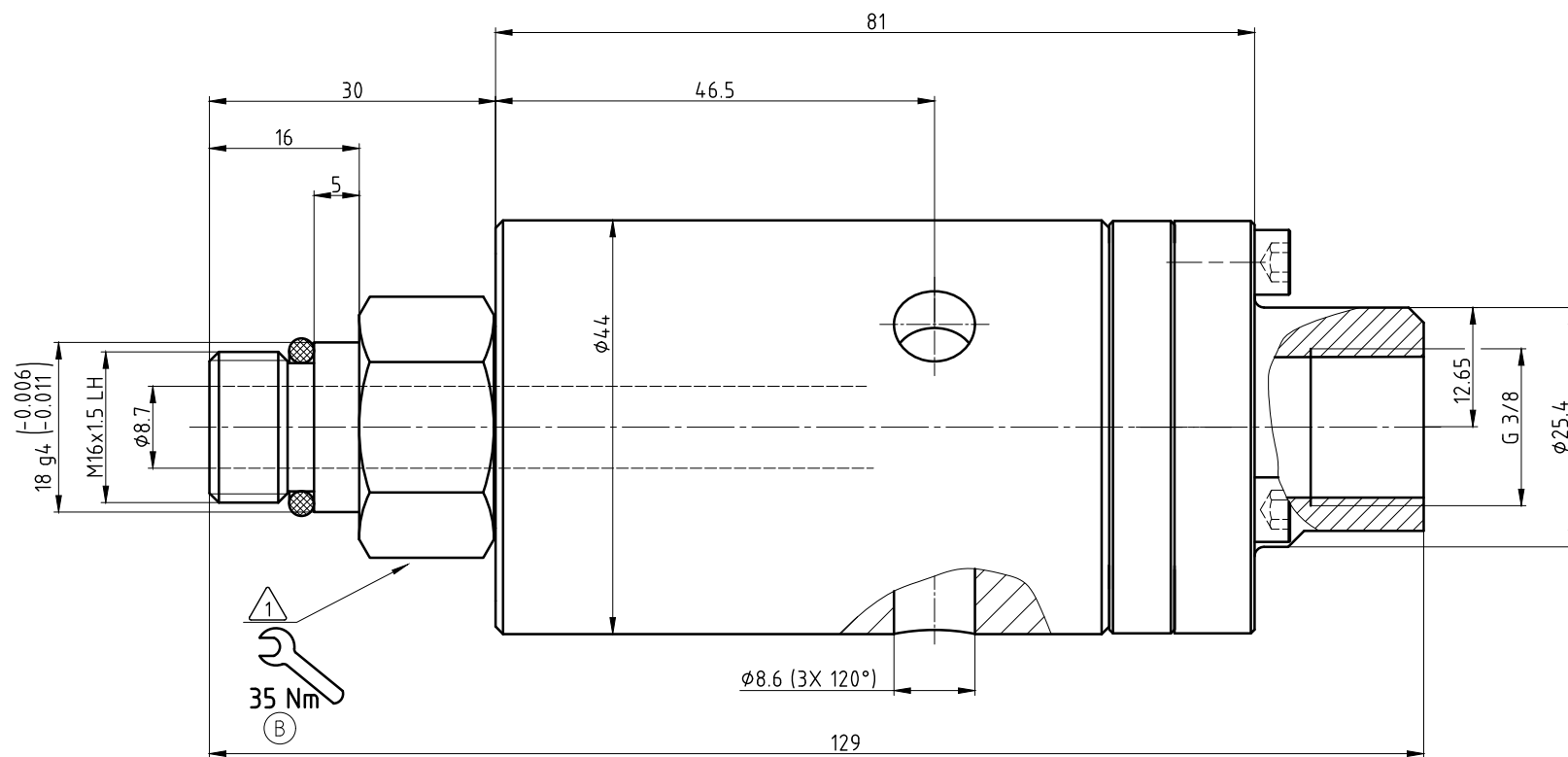
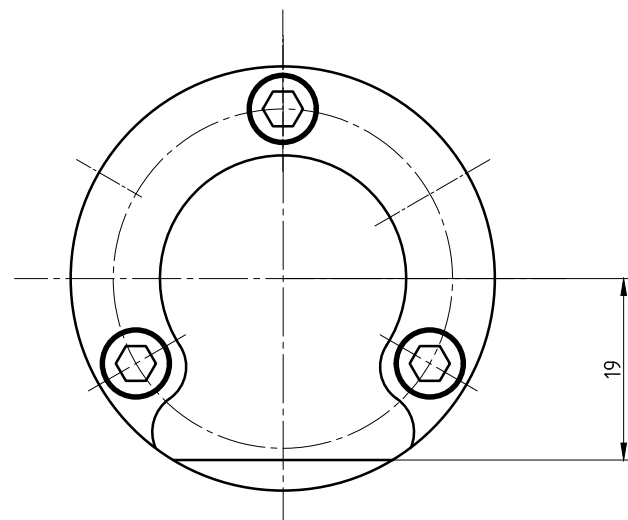
CONFIDENTIAL
 THIS DOCUMENT CONTAINS CONFIDENTIAL AND PROPRIETARY
 INFORMATION OF DEUBLIN COMPANY. COPYING, USE,
 TRANSMISSION, DISTRIBUTION, AND DISCLOSURE ARE SUBJECT
 TO THE TERMS AND CONDITIONS CONTAINED IN YOUR
 AGREEMENT WITH DEUBLIN COMPANY. ALL RIGHTS RESERVED.

18	g4	-0.006	17.994
Maß	Passung	-0.011	17.989

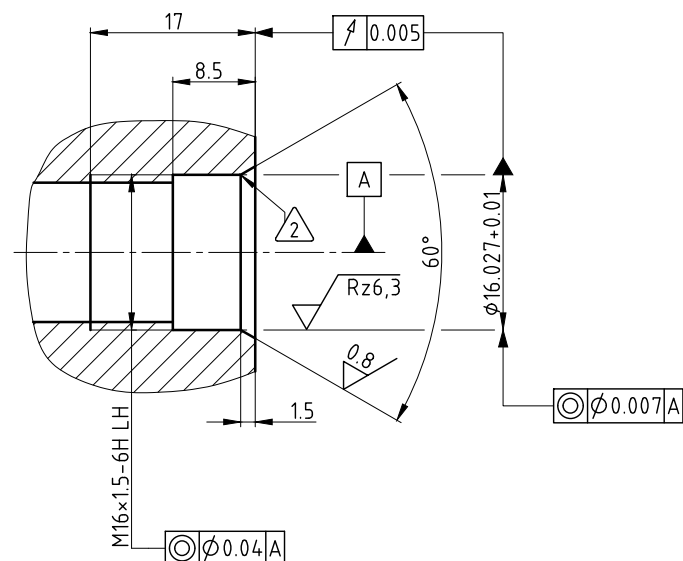
NOTES:

① - 24 HEX.

② - ROUNDED.



CUSTOMER INTERFACE



OPERATING DATA	
MEDIA	COOLANT
PRESSURE MAX.	70 bar
SPEED MAX.	20000 min ⁻¹
TEMPERATURE MAX.	70 °C
DRY RUN (WITHOUT ANY MEDIA)	NO



SCALE: 2:1
 MATERIAL:

ISSUE	MODIFICATION	ECO	DATE	SIGN
B	WAS 50 MM	019191	07/12	AF
A	UPDATE TO MS	019159	07/12	AF

TITLE: DEUBLIN ROTATING UNION
 DEUBLIN Einführung
 NO. 1108-032-153

SHEET
 A2