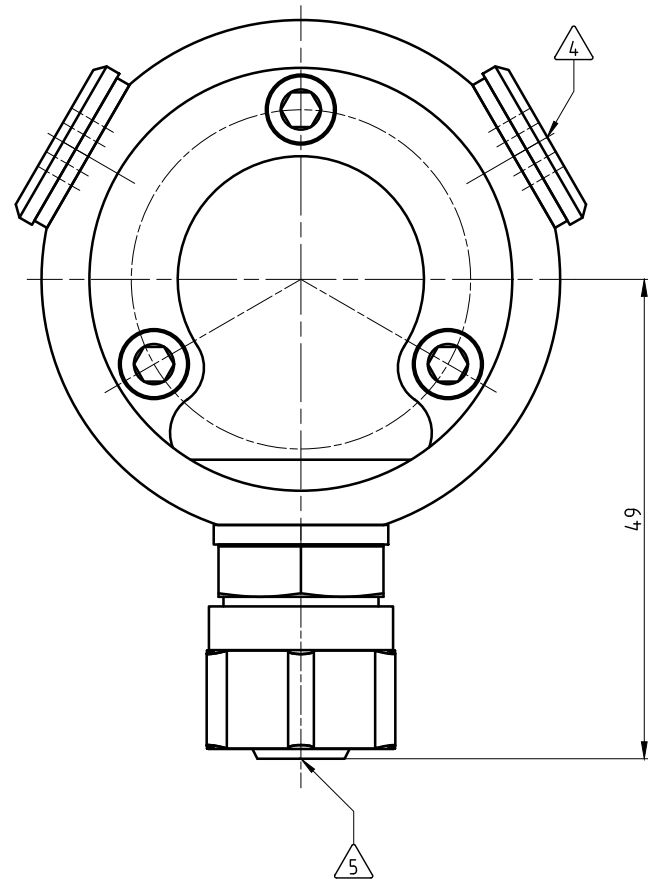
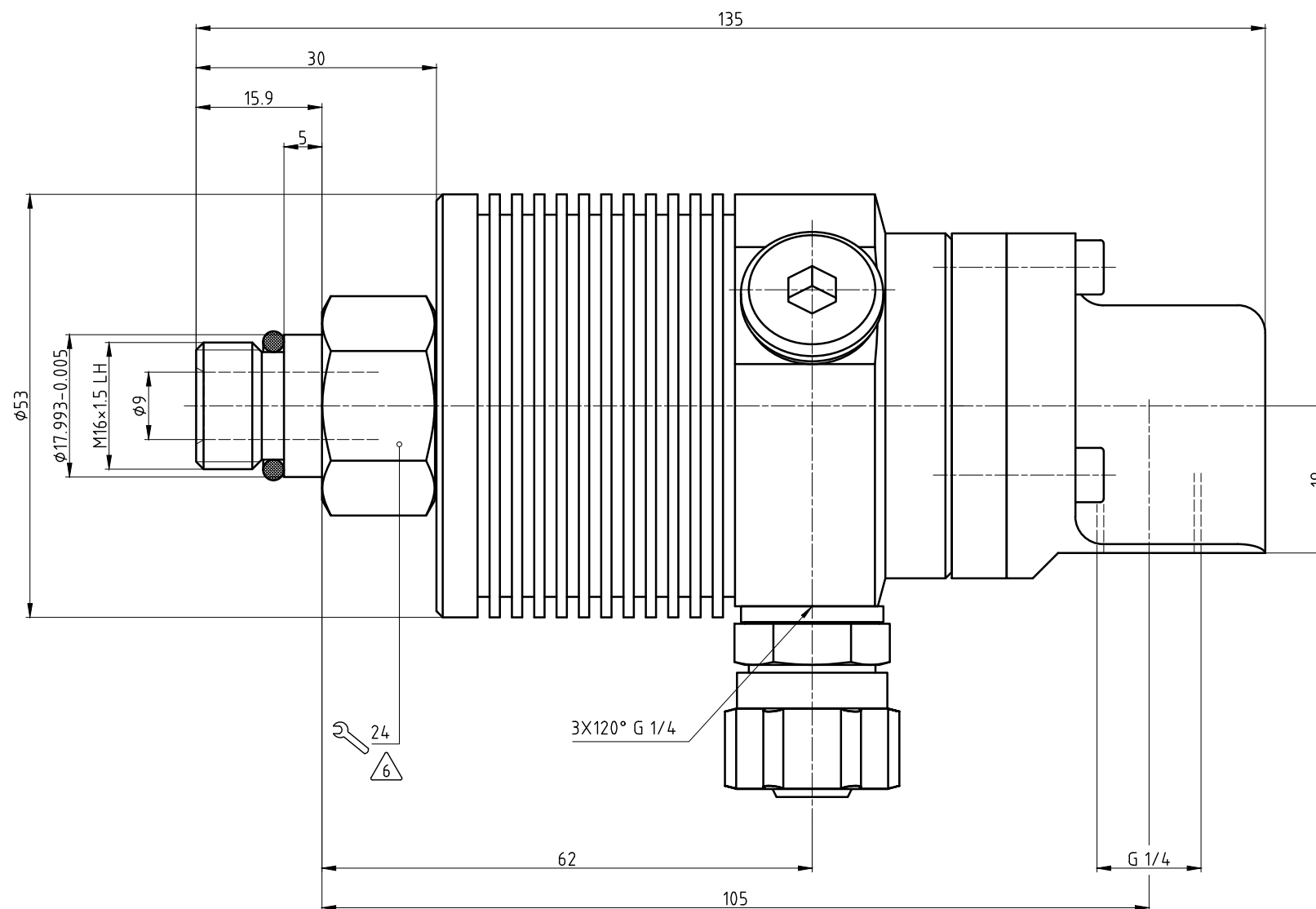
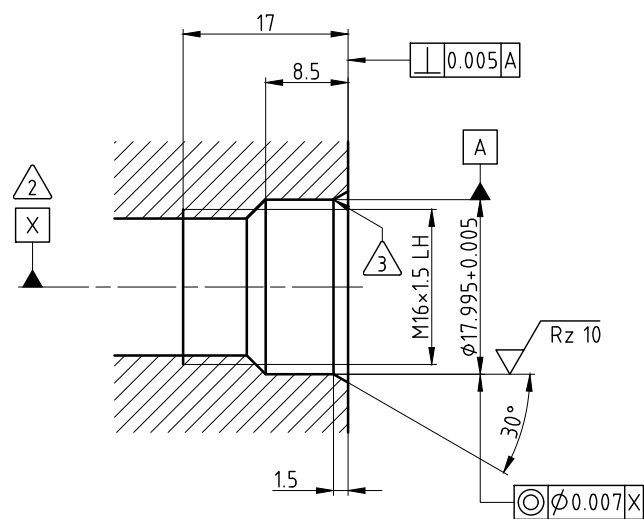


NOTES:

- 1 - CONTACT DEUBLIN OR VISIT WWW.DEUBLIN.COM
 FOR INSTRUCTION MANUAL: 040-552.
- 2 - SPINDLE BEARING ARRANGEMENT
- 3 - ROUNDED
- 4 - 2X PIPE PLUG G 1/4
- 5 - DRAIN PORT, COUPLING G 1/4 (FESTO CK-1/4-PK-9) FOR HOSE NOMINAL SIZE 8 mm.
- 6 - TORQUE TO 35 Nm.



CUSTOMER INTERFACE



OPERATING DATA		
MEDIA		CUTTING OIL
MEDIA PRESSURE	MAXIMUM	140 bar
	MINIMUM	1 bar
FLOW RATE	MAXIMUM	24.3 L/min
	MINIMUM	1 L/min
TEMPERATURE	MAXIMUM	70 °C
	MINIMUM	5 °C
MAXIMUM SPEED		20000 min ⁻¹
DRY RUN		NO



SCALE: 2:1
 DOCUMENT: INTERFACE CONTROL DRAWING

DATE	NAME
DRN. 07.07.2016	FD
ENGR. 07.07.2016	CW
APPD.	

TITLE: DEUBLIN ROTATING UNION
 DEUBLIN Drehdurchführung

UNLESS SPECIFICALLY TOLERANCED, ALL DIMENSIONS ARE CONSIDERED REFERENCE

NO. 1108-058-212

SHEET A2