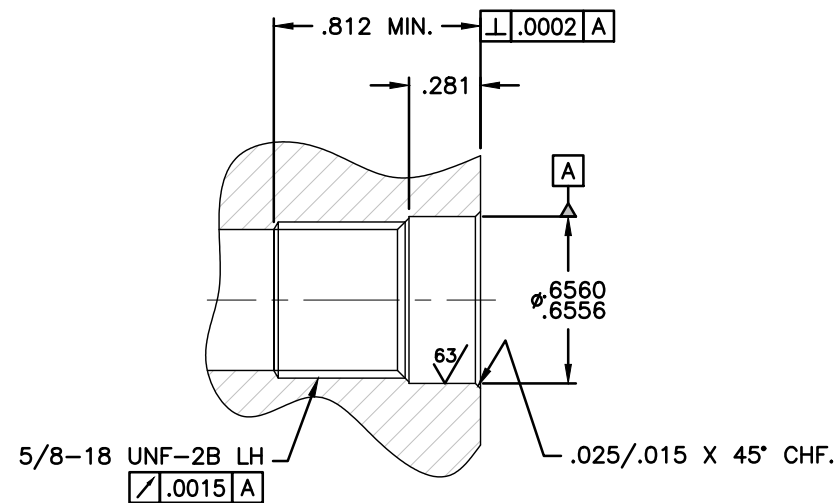
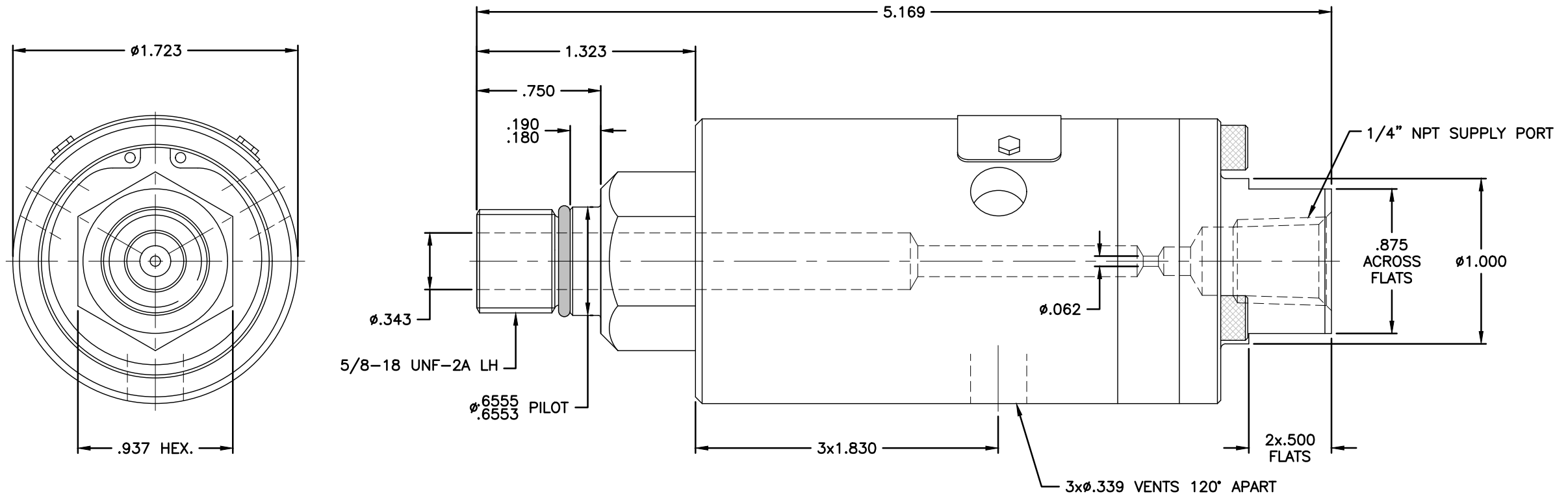


NOTES:

1 - WHEN ORDERING FROM DEUBLIN USE PART NUMBER: 1108-093-568.

DWG. NO.  
1108-093-568-IC



**OPERATING DATA:**  
 OIL BASED COOLANT SERVICE ONLY  
 3000 PSI [207bar] MAX. PRESSURE  
 12,000 RPM [12,000/min] MAX. SPEED  
 160°F [70°C] MAX. TEMPERATURE

CUSTOMERS SPINDLE

CONFIDENTIAL  
 THIS DOCUMENT CONTAINS CONFIDENTIAL AND PROPRIETARY INFORMATION OF DEUBLIN COMPANY. COPYING, USE, TRANSMISSION, DISTRIBUTION, AND DISCLOSURE ARE SUBJECT TO THE TERMS AND CONDITIONS CONTAINED IN YOUR AGREEMENT WITH DEUBLIN COMPANY. ALL RIGHTS RESERVED.

**DEUBLIN** COMPANY  
 WAUKEGAN, ILLINOIS, U.S.A.

TITLE: INTERFACE CONTROL  
 DRAWING FOR DEUBLIN  
 UNION 1108-093-568

DWG. NO. 1108-093-568-IC  
 C.A.D. DRAWING

SCALE	2:1	DWG SIZE	C
DRN	GA	03/05/04	
ENGR	ZK	10/98	
APPD	GA	JS	
PART NO.	1108-093-568		
CUSTOMER			
LET.	REVISION	ECO	DATE SIGN

UNLESS SPECIFICALLY TOLERANCED, ALL DIMENSIONS ARE REFERENCE  
 DIMENSIONS IN [ ] ARE IN MILLIMETERS.