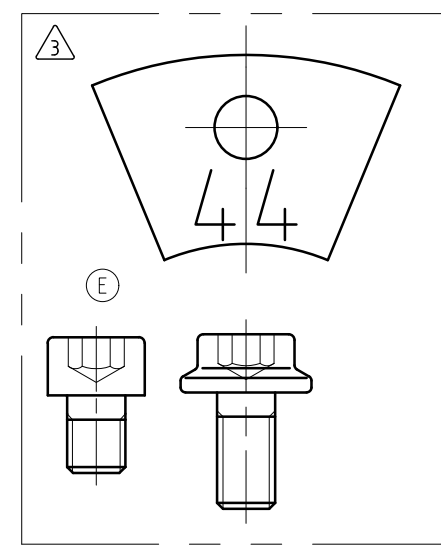
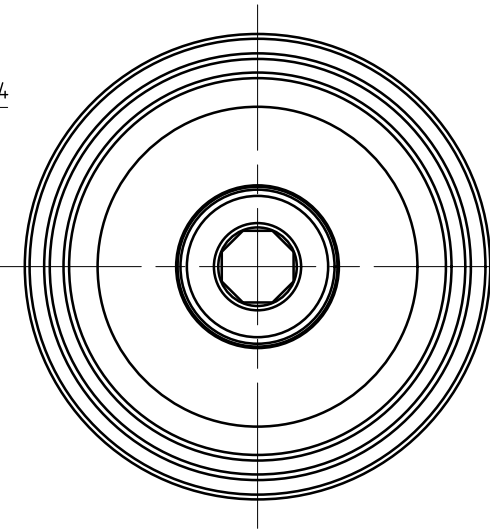
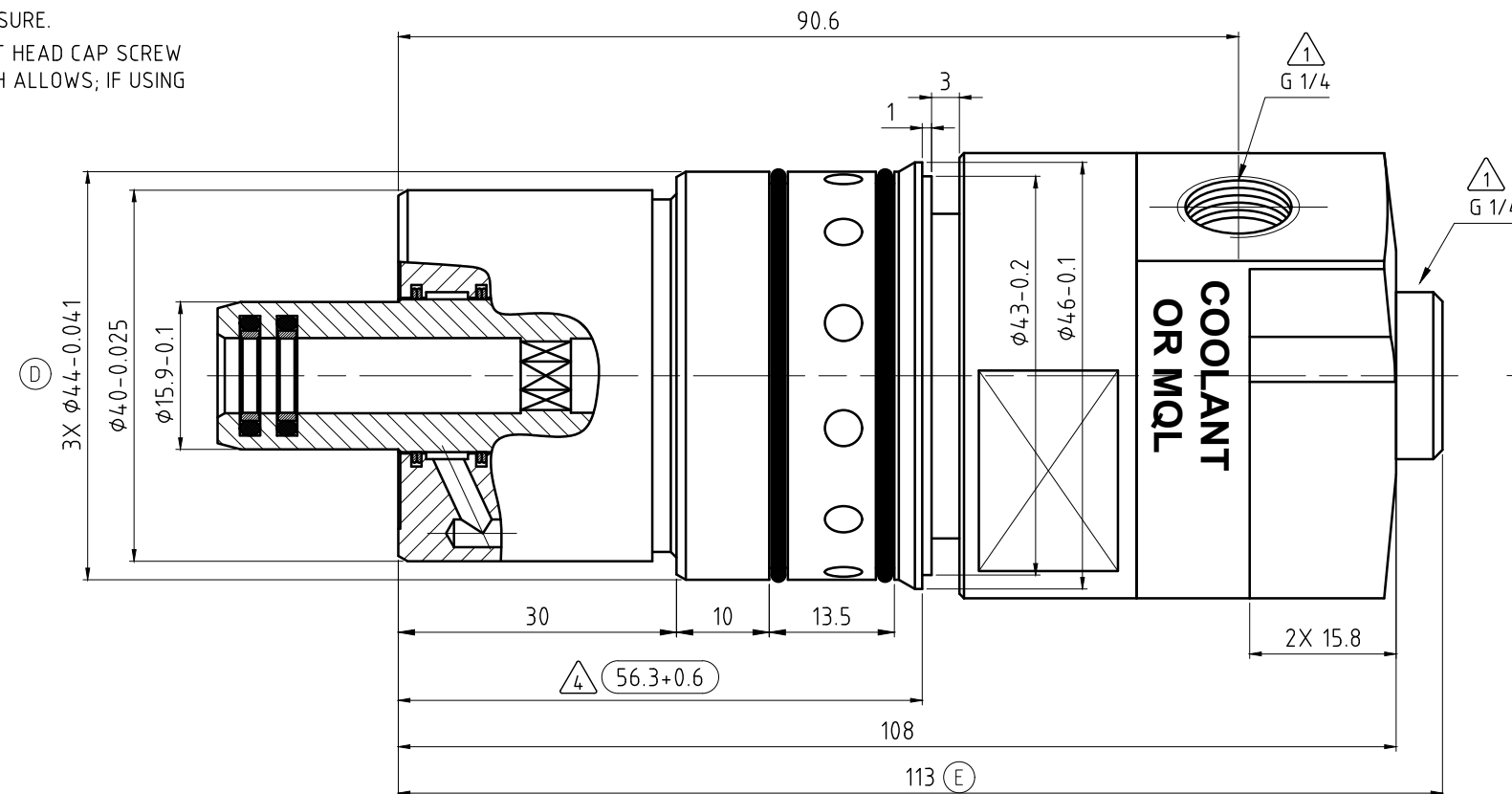
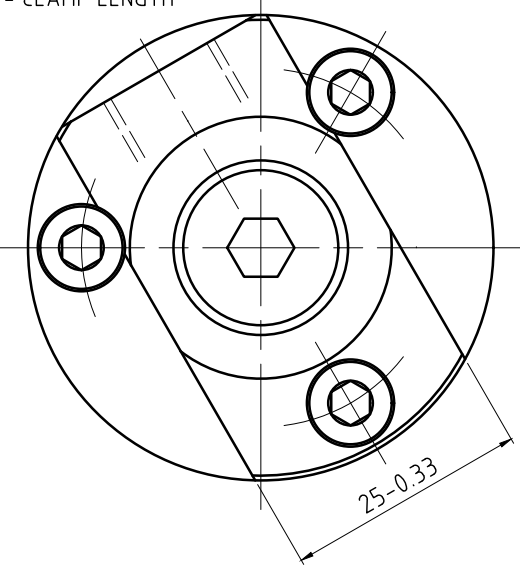


CONFIDENTIAL
THIS DOCUMENT CONTAINS CONFIDENTIAL AND PROPRIETARY INFORMATION OF DEUBLIN COMPANY. COPYING, USE, TRANSMISSION, DISTRIBUTION, AND DISCLOSURE ARE SUBJECT TO THE TERMS AND CONDITIONS CONTAINED IN YOUR AGREEMENT WITH DEUBLIN COMPANY. ALL RIGHTS RESERVED.

φ44	g6	-0.009	43.991
φ44	G5	+0.020	44.020
φ8	g6	-0.005	7.995
7.4	f9	-0.013	7.387
Dimen.	Fit	-0.049	7.351

NOTES:

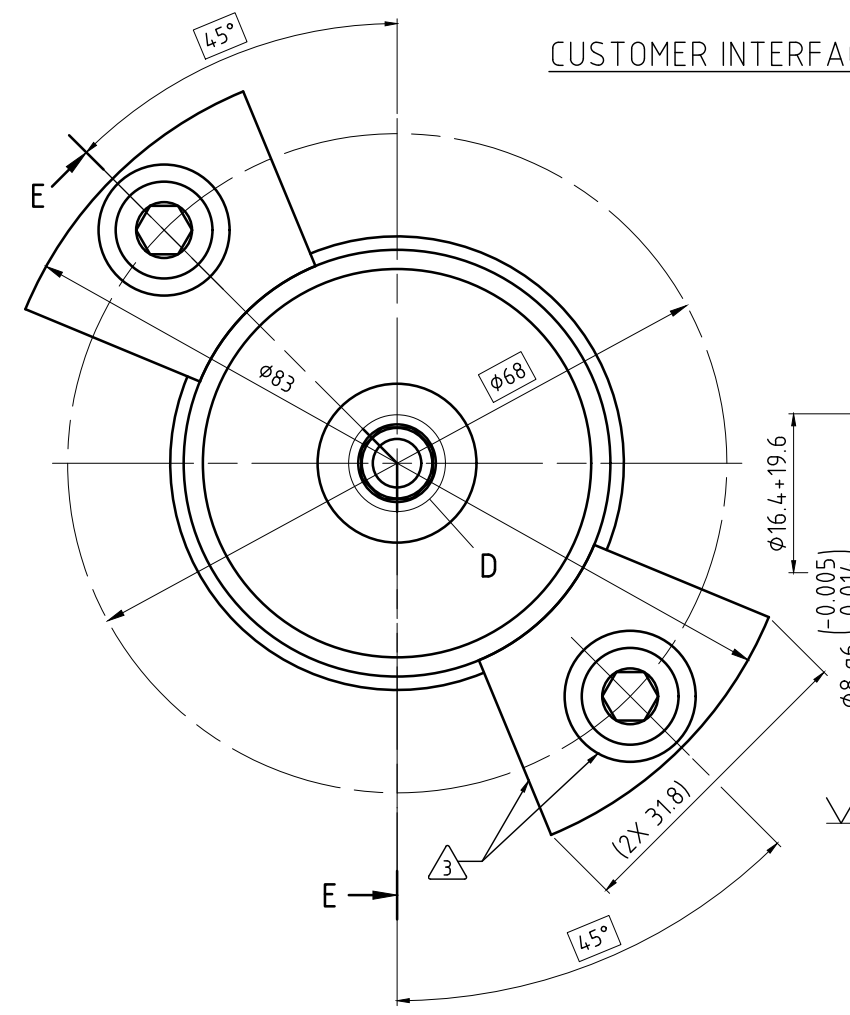
- 1 - MEDIA SUPPLY PORT IS COMPLIANT WITH ISO 228 & ISO 1179. RECOMMENDED FITTING TIGHTENING TORQUE IS 15 Nm.
- 2 - DRAIN MUST SLOPE DOWNWARD WITH NO BACK PRESSURE.
- 3 - 2X CLAMP, 2X SERRATED SCREW M6x12, & 2X SOCKET HEAD CAP SCREW M6x8, SUPPLIED BY DEUBLIN. USE M6x12 IF HOLE DEPTH ALLOWS; IF USING M6x8 SCREWS LOCTITE IS REQUIRED.
- 4 - CLAMP LENGTH



OPERATING DATA

MEDIA	COOLANT	MQL
MEDIA PRESSURE	MAXIMUM 150 bar MINIMUM -	10 bar
FLOW RATE	MAXIMUM 24.3 L/min MINIMUM -	1128 NL/min
TEMPERATURE	MAXIMUM 70 °C MINIMUM 5 °C	70 °C 5 °C
MAXIMUM SPEED	24000 min ⁻¹	24000 min ⁻¹
AXIAL FORCE	5.02 N/bar	
DRY RUN	LIMITED - CONSULT DEUBLIN	
RECOMMENDED FILTRATION	ISO 4406 CLASS 17/15/12	

CUSTOMER INTERFACE



DEUBLIN
Engineered for Performance

REV. NO.	ADD. M6x8	DATE	LG	DRN.	NAME
E		05/38/78	10/19	07/13/11	G. Allen
D		038003	06/16	07/14/11	A. LaCroix
C		037362	04/16		
B		21944	03/13		
A		018652	08/12		

PROJECTION:

SCALE: 2:1

MATERIAL: INTERFACE CONTROL DRAWING

TITLE: DEUBLIN UNION, CLOSED SEAL, 24k/min BORE-MOUNTED

NO. 1108-844-835

SHEET A2

UNLESS SPECIFICALLY TOLERANCED, ALL DIMENSIONS ARE CONSIDERED REFERENCE