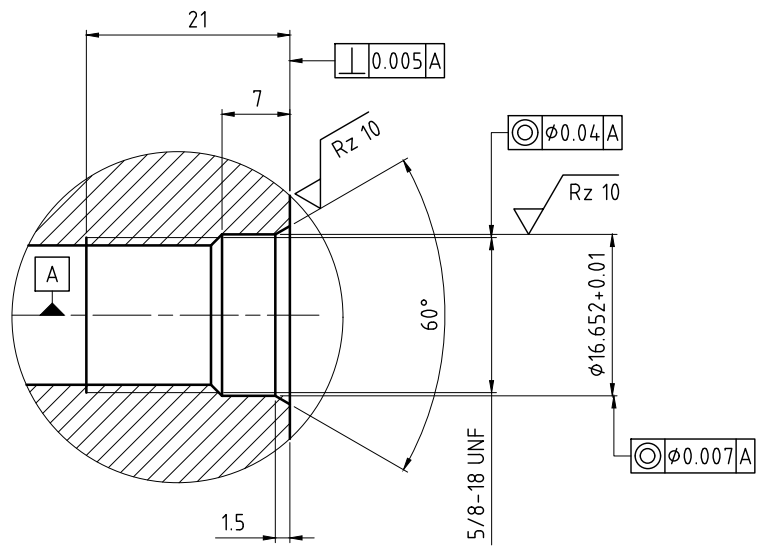


CUSTOMER INTERFACE



OPERATING DATA			
MEDIA		COOLANT	MQL
MEDIA	MAXIMUM	105 bar	10 bar
PRESSURE	MINIMUM	1 bar	1 bar
FLOW RATE	MAXIMUM	82 L/min	3810 NL/min
	MINIMUM	6 L/min	360 NL/min
TEMPERATURE	MAXIMUM	70 °C	70 °C
	MINIMUM	5 °C	5 °C
MAXIMUM SPEED		20000 min ⁻¹	20000 min ⁻¹
DRY RUN		UNPRESSURIZED ONLY	
RECOMMENDED FILTRATION		ISO 4406 CLASS 17/15/12	

		PROJECTION: 	SCALE: 2:1 MATERIAL: INTERFACE CONTROL DRAWING
DATE: 11.09.02 NAME: Schmid ENGR: 11.09.02 DAHL APPD.		TITLE: DEUBLIN UNION	
B ADDITIONAL LAYER 031349 01/15 RA A UPDATE DWG 025297 01/14 RA ISSUE MODIFICATION ECO DATE SIGN		NO. 1109-010-164	SHEET A2

UNLESS SPECIFICALLY TOLERANCED, ALL DIMENSIONS ARE CONSIDERED REFERENCE