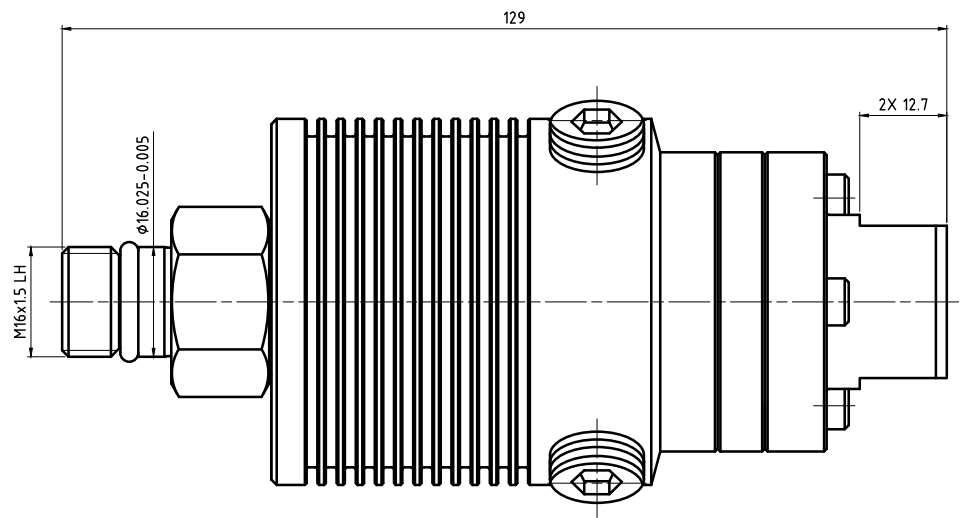
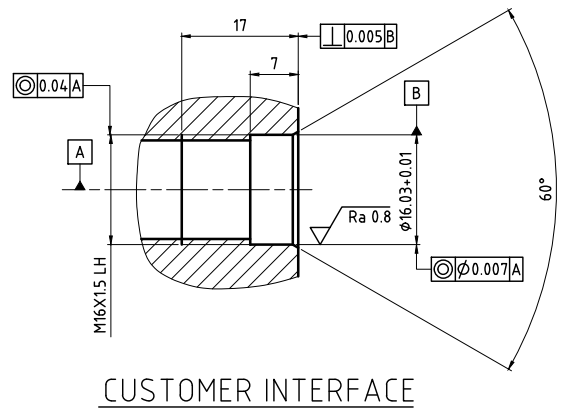
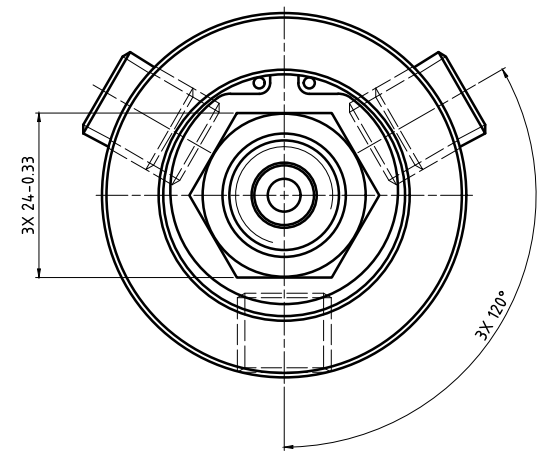
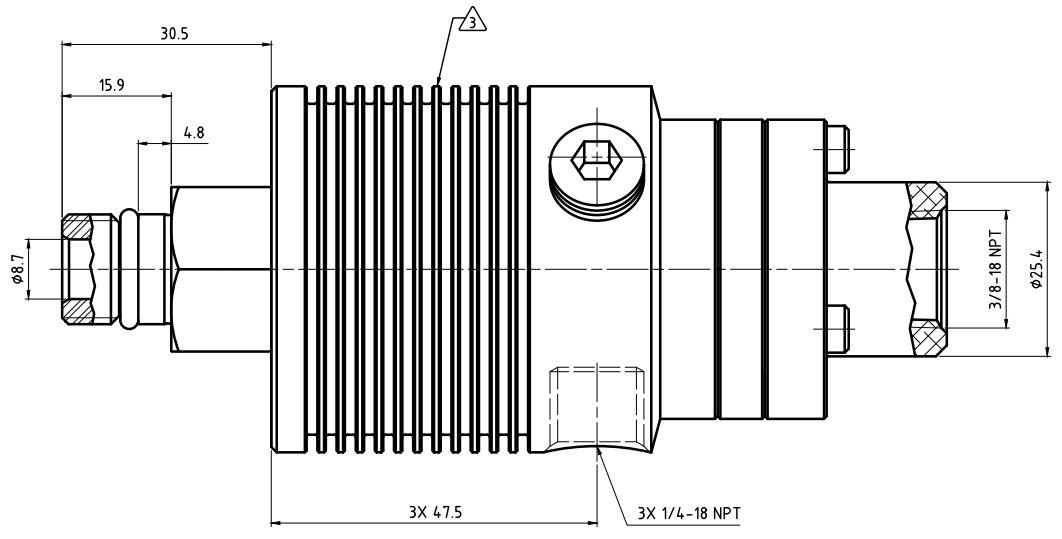
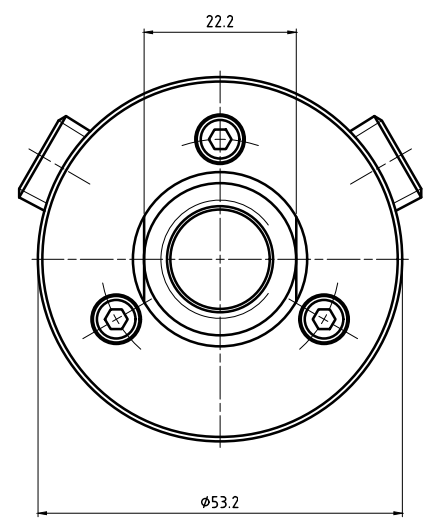


- NOTES:
 1 - WHEN MOUNTING THE UNION IN THE VERTICAL POSITION, THE DRAIN LINE MUST BE POSITIONED NO HIGHER THEN THE VENT HOLE.
 2 - WHEN MOUNTING IN THE HORIZONTAL POSITION, THE DRAIN LINE MUST BE POSITIONED DOWNWARD (6 O'CLOCK).
 3 - COOLING FINS: CUSTOMER MUST PROVIDE ADEQUATE AIR CIRCULATION



OPERATING DATA		
MEDIA	COOLANT	MQL
PRESSURE MAX.	105 bar	10 bar
SPEED MAX.	20000 min ⁻¹	20000 min ⁻¹
TEMPERATURE MAX.	70 °C	70 °C
FLOW RATE MAX.	82 l/min	2550 Nl/min
DRY RUN	UNLIMITED	

	PROJECTION:	SCALE: 2:1	MATERIAL: INTERFACE CONTROL DRAWING
	DATE: 11/26/12 NAME: N. Reyna ENGR: 11/26/12 APPD: T. Wilson	TITLE:	
NO. 1109-011-192			SHEET A2

UNLESS SPECIFICALLY TOLERANCED, ALL DIMENSIONS ARE CONSIDERED REFERENCE