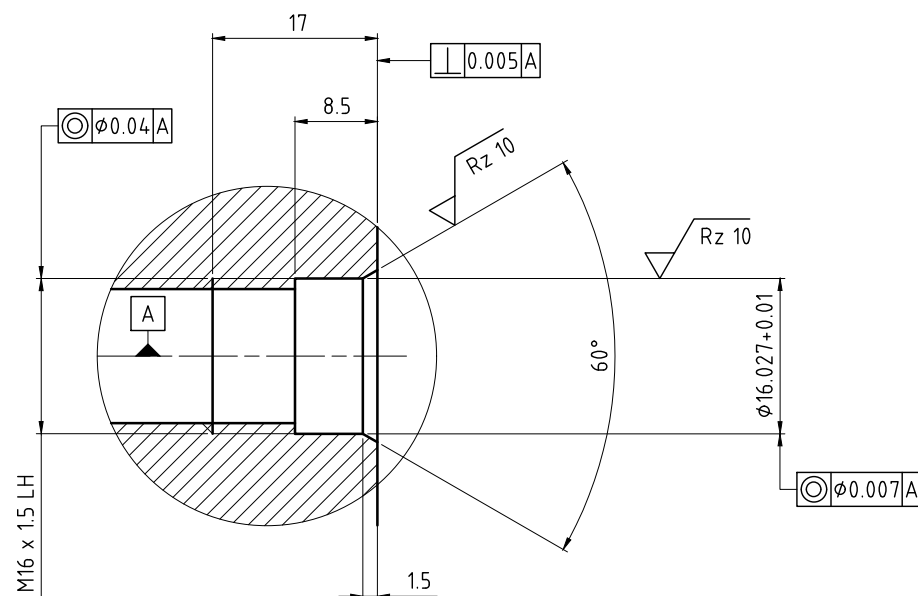


CUSTOMER INTERFACE



OPERATING DATA			
MEDIA		COOLANT	MQL
MEDIA PRESSURE	MAXIMUM	140 bar	10 bar
	MINIMUM	1 bar	1 bar
FLOW RATE	MAXIMUM	24.3 L/min	1128 NL/min
	MINIMUM	1 L/min	160 NL/min
TEMPERATURE	MAXIMUM	70 °C	70 °C
	MINIMUM	5 °C	5 °C
MAXIMUM SPEED		20000 min ⁻¹	20000 min ⁻¹
DRY RUN	UNPRESSURIZED ONLY		
RECOMMENDED FILTRATION	ISO 4406 CLASS 17/15/12		

	PROJECTION:	SCALE: 2:1	MATERIAL: INTERFACE CONTROL DRAWING				
	DATE	NAME	TITLE:				
	DRN: 04/30/09	NR	DEUBLIN UNION				
	ENGR: 04/30/09	SS					
	APPD:						
	UNLESS SPECIFICALLY TOLERANCED, ALL DIMENSIONS ARE CONSIDERED REFERENCE		NO. 1109-014-220				
A	UPDATE DWG	027386	04/14	RA			SHEET A2
	ISSUE MODIFICATION	ECO	DATE	SIGN			