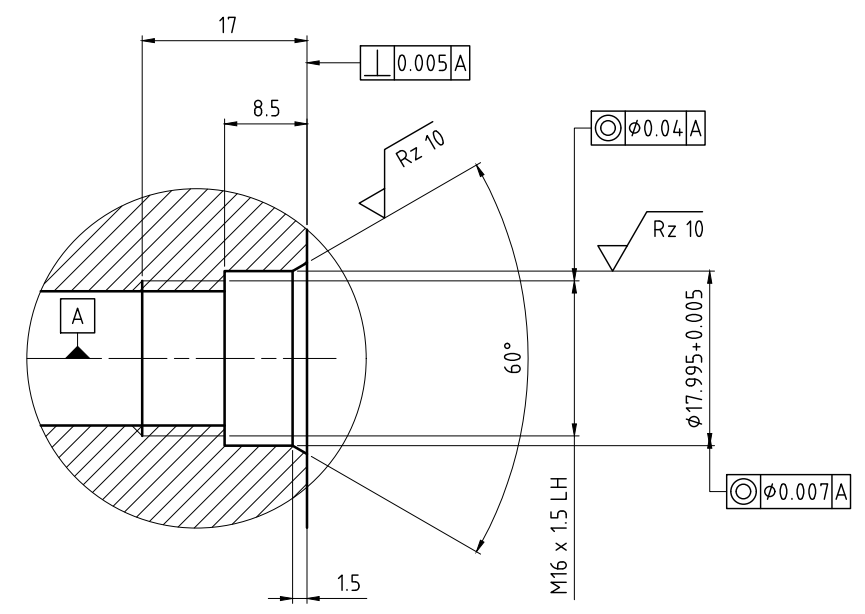


**CUSTOMER INTERFACE**



OPERATING DATA			
MEDIA		COOLANT	MQL
MEDIA PRESSURE	MAXIMUM	140 bar	10 bar
	MINIMUM	1 bar	1 bar
FLOW RATE	MAXIMUM	24.3 L/min	1128 NL/min
	MINIMUM	1 L/min	160 NL/min
TEMPERATURE	MAXIMUM	70 °C	70 °C
	MINIMUM	5 °C	5 °C
MAXIMUM SPEED		20000 min <sup>-1</sup>	20000 min <sup>-1</sup>
DRY RUN	UNPRESSURIZED ONLY		
RECOMMENDED FILTRATION	ISO 4406 CLASS 17/15/12		

	PROJECTION:	SCALE: 2:1	TITLE: DEUBLIN UNION
		MATERIAL: INTERFACE CONTROL DRAWING	
	DATE	NAME	
	DRN. 07.11.2007	F. Dahl	
	ENGR. 07.11.2007	Ch. Wolf	
	APPD.		
C	UPDATE DWG 027386 04/14	RA	
B	UPDATE TO MS 02263302.04.13	CD	
A	WAS 40 Nm 00901522.02.10	FD	
ISSUE MODIFICATION	ECO	DATE	SIGN
UNLESS SPECIFICALLY TOLERANCED, ALL DIMENSIONS ARE CONSIDERED REFERENCE			NO. 1109-024-212
			SHEET A2