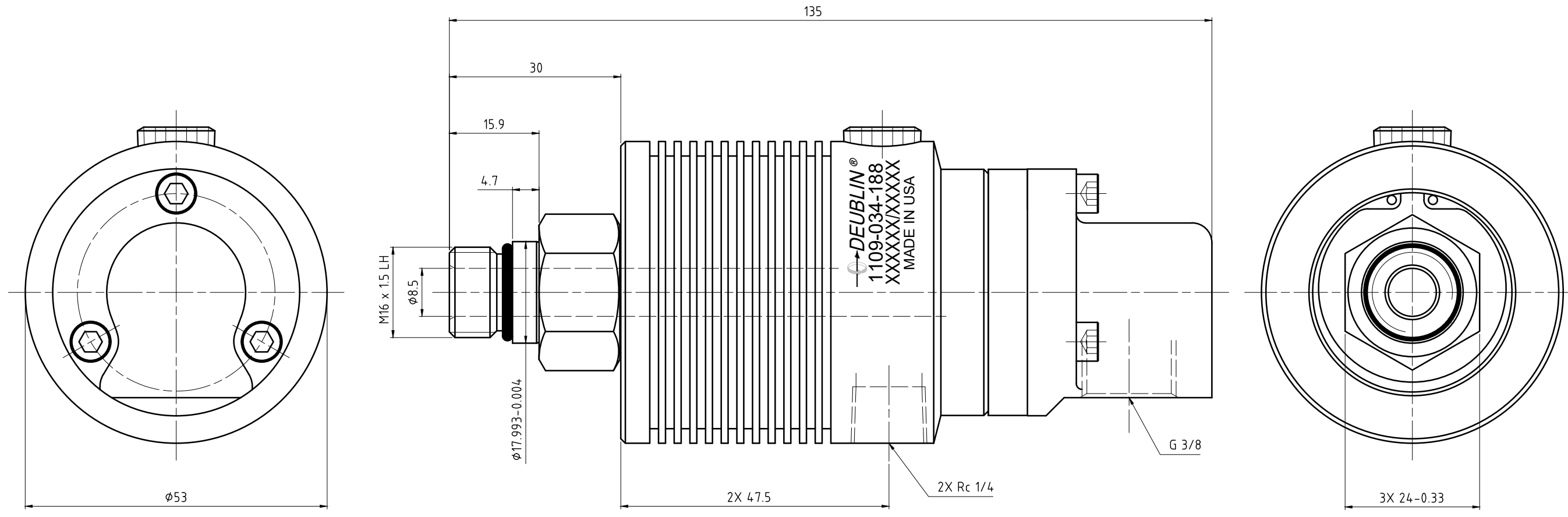
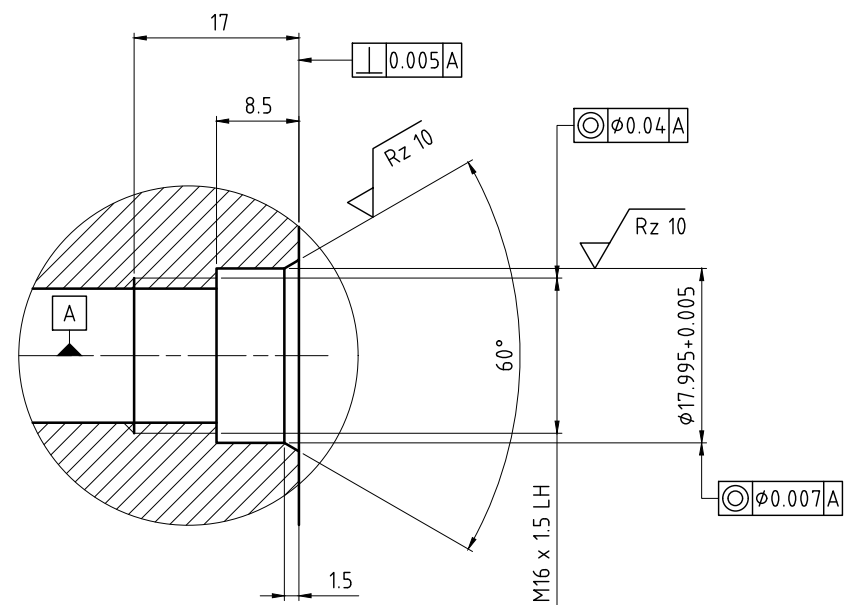


CONFIDENTIAL
 THIS DOCUMENT CONTAINS CONFIDENTIAL AND PROPRIETARY
 INFORMATION OF DEUBLIN COMPANY. COPYING, USE,
 TRANSMISSION, DISTRIBUTION, AND DISCLOSURE ARE SUBJECT TO
 THE TERMS AND CONDITIONS CONTAINED IN YOUR AGREEMENT WITH
 DEUBLIN COMPANY. ALL RIGHTS RESERVED.



CUSTOMER INTERFACE



OPERATING DATA			
		COOLANT	MLL
MEDIA PRESSURE	MAXIMUM	105 bar	10 bar
	MINIMUM	1 bar	1 bar
FLOW RATE	MAXIMUM	82 L/min	3810 NL/min
	MINIMUM	6 L/min	360 NL/min
TEMPERATURE	MAXIMUM	70 °C	70 °C
	MINIMUM	5 °C	5 °C
MAXIMUM SPEED		20000 min ⁻¹	20000 min ⁻¹
DRY RUN	UNPRESSURIZED ONLY		
RECOMMENDED FILTRATION	ISO 4406 CLASS 17/15/12		

		PROJECTION:	SCALE: 2:1
			MATERIAL: INTERFACE CONTROL DRAWING
		DATE: 03/17/08	TITLE: DEUBLIN UNION
		NAME: NR	
		ENGR: 03/17/08	
		APPD:	
C	ADD ITALIAN LAYER	031349	01/15
B	UPDATE DWG	025297	01/14
A	REV BSP1 WAS BSP	009770	04/10
ISSUE	MODIFICATION	ECO	DATE
			SIGN
UNLESS SPECIFICALLY TOLERANCED, ALL DIMENSIONS ARE CONSIDERED REFERENCE			NO. 1109-034-188
			SHEET A2