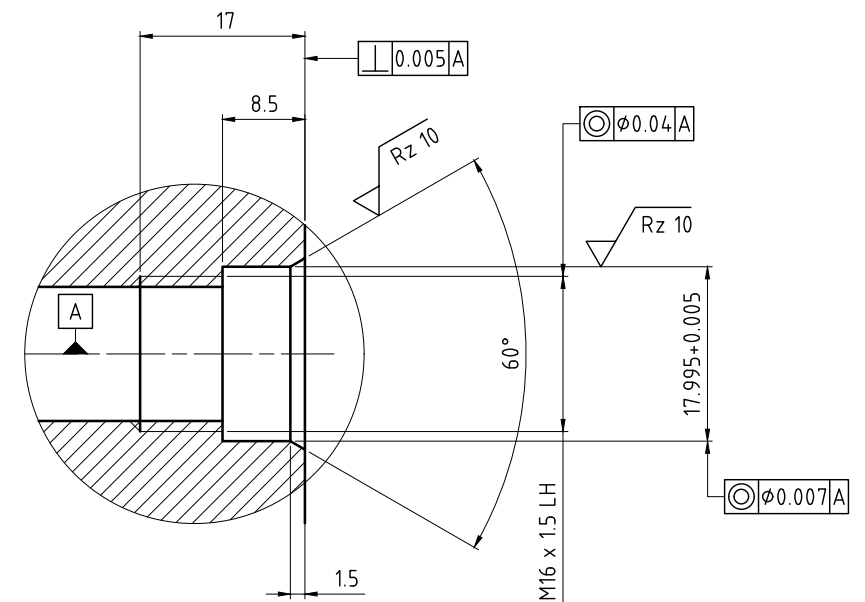


CUSTOMER INTERFACE



OPERATING DATA			
MEDIA		COOLANT	MQL
MEDIA	MAXIMUM	105 bar	10 bar
PRESSURE	MINIMUM	1 bar	1 bar
FLOW RATE	MAXIMUM	82 L/min	3810 NL/min
	MINIMUM	6 L/min	360 NL/min
TEMPERATURE	MAXIMUM	70 °C	70 °C
	MINIMUM	5 °C	5 °C
MAXIMUM SPEED		20000 min ⁻¹	20000 min ⁻¹
DRY RUN		UNPRESSURIZED ONLY	
RECOMMENDED FILTRATION		ISO 4406 CLASS 17/15/12	

		PROJECTION:	SCALE: 2:1	
			MATERIAL: INTERFACE CONTROL DRAWING	
		DATE	NAME	
		DRN. 02.09.02	Schmid	
		ENGR. 02.09.01	Ch. Wolf	
		APPD.		
		TITLE: DEUBLIN UNION		
		NO. 1109-040-188		
		SHEET A2		
B	ADD ITALIAN LAYER	031349	01/15	RA
A	UPDATED DWG	025267	01/14	RA
ISSUE	MODIFICATION	ECO	DATE	SIGN

UNLESS SPECIFICALLY TOLERANCED, ALL DIMENSIONS ARE CONSIDERED REFERENCE