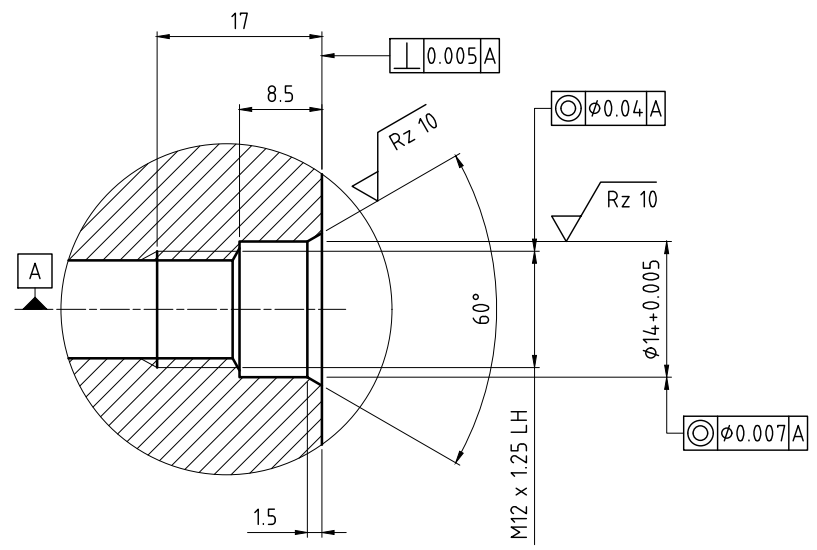


**CUSTOMER INTERFACE**



OPERATING DATA			
MEDIA		COOLANT	MQL
MEDIA	MAXIMUM	105 bar	10 bar
PRESSURE	MINIMUM	1 bar	1 bar
FLOW RATE	MAXIMUM	82 L/min	3810 NL/min
	MINIMUM	6 L/min	360 NL/min
TEMPERATURE	MAXIMUM	70 °C	70 °C
	MINIMUM	5 °C	5 °C
MAXIMUM SPEED		20000 min <sup>-1</sup>	20000 min <sup>-1</sup>
DRY RUN	UNPRESSURIZED ONLY		
RECOMMENDED FILTRATION	ISO 4406 CLASS 17/15/12		

		PROJECTION:	SCALE: 2:1			
			MATERIAL: INTERFACE CONTROL DRAWING			
		DATE	TITLE:			
		NAME	DEUBLIN UNION			
		DRN. 08/15/03	RM			
		ENGR. 08/15/03	ARS			
		APPD.				
B	ADD ITALIAN LAYER	031349	01/15	RA	NO. 1109-040-574	SHEET A2
A	UPDATED DWG	025267	01/14	RA		
	ISSUE MODIFICATION	ECO	DATE	SIGN		

UNLESS SPECIFICALLY TOLERANCED, ALL DIMENSIONS ARE CONSIDERED REFERENCE