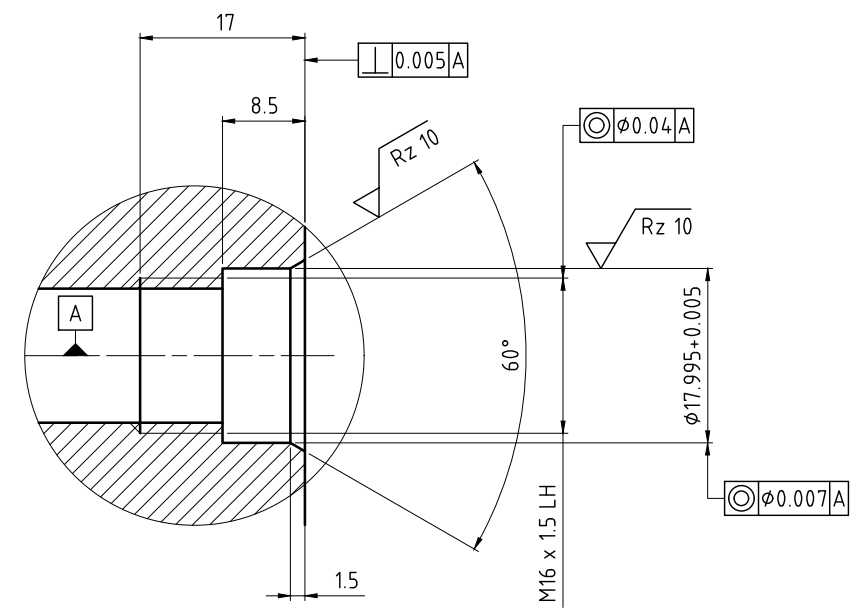


**CUSTOMER INTERFACE**



OPERATING DATA			
MEDIA		COOLANT	MQL
MEDIA PRESSURE	MAXIMUM	105 bar	10 bar
	MINIMUM	1 bar	1 bar
FLOW RATE	MAXIMUM	82 L/min	3810 NL/min
	MINIMUM	6 L/min	360 NL/min
TEMPERATURE	MAXIMUM	70 °C	70 °C
	MINIMUM	5 °C	5 °C
MAXIMUM SPEED		20000 min <sup>-1</sup>	20000 min <sup>-1</sup>
DRY RUN	UNPRESSURIZED ONLY		
RECOMMENDED FILTRATION	ISO 4406 CLASS 17/15/12		

		PROJECTION:	SCALE: 2:1	
			MATERIAL: INTERFACE CONTROL DRAWING	
		DATE	NAME	
		DRN. 04/08/04	RM	
		ENGR. 04/08/04	TW & RC	
		APPD.		
		TITLE: DEUBLIN UNION		
		NO. 1109-041-188		
		SHEET A2		
B	ADD ITALIAN LAYER	031349	01/15	RA
A	UPDATED DWG	025297	01/14	RA
ISSUE MODIFICATION		ECO	DATE	SIGN

UNLESS SPECIFICALLY TOLERANCED, ALL DIMENSIONS ARE CONSIDERED REFERENCE