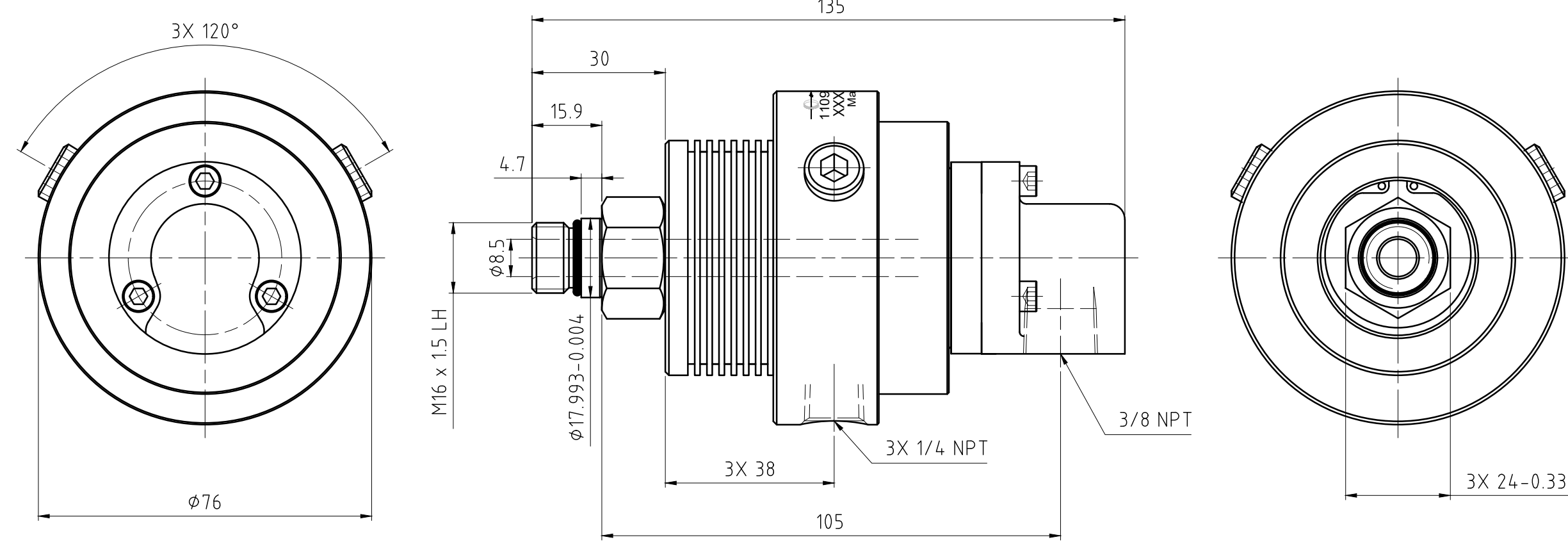
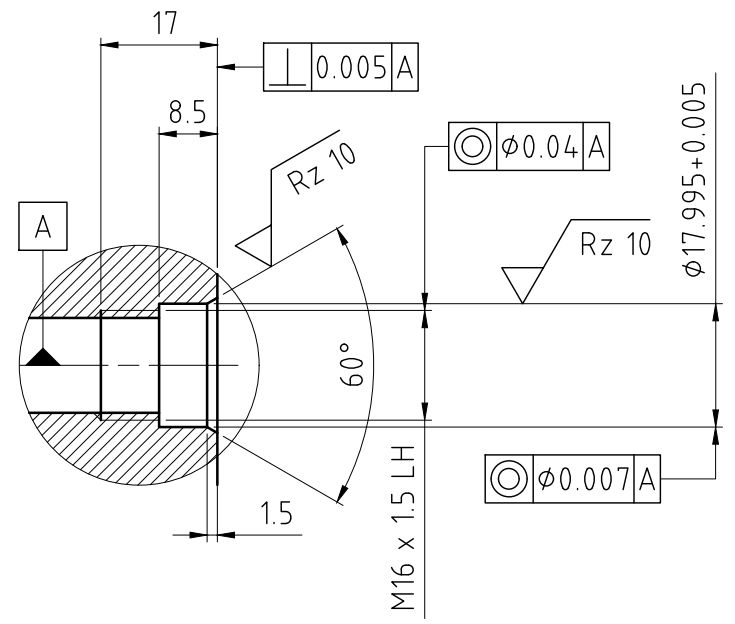


CONFIDENTIAL
 THIS DOCUMENT CONTAINS CONFIDENTIAL AND PROPRIETARY
 INFORMATION OF DEUBLIN COMPANY. COPYING, USE,
 TRANSMISSION, DISTRIBUTION, AND DISCLOSURE ARE SUBJECT TO
 THE TERMS AND CONDITIONS CONTAINED IN YOUR AGREEMENT WITH
 DEUBLIN COMPANY. ALL RIGHTS RESERVED.



CUSTOMER INTERFACE



OPERATING DATA			
MEDIA		COOLANT	MQL
MEDIA PRESSURE	MAXIMUM	105 bar	10 bar
	MINIMUM	1 bar	1 bar
FLOW RATE	MAXIMUM	82 L/min	3810 NL/min
	MINIMUM	6 L/min	360 NL/min
TEMPERATURE	MAXIMUM	70 °C	70 °C
	MINIMUM	5 °C	5 °C
MAXIMUM SPEED		20000 min ⁻¹	20000 min ⁻¹
DRY RUN		UNPRESSURIZED ONLY	
RECOMMENDED FILTRATION		ISO 4406 CLASS 17/15/12	

		PROJECTION:	SCALE: 1:1				
			MATERIAL: INTERFACE CONTROL DRAWING				
		DATE: 01/30/03	TITLE: DEUBLIN UNION				
		NAME: RM					
		ENGR: 01/30/03					
		APPD:					
B	ADD ITALIAN LAYER	031349	01/15	RA	UNLESS SPECIFICALLY TOLERANCED, ALL DIMENSIONS ARE CONSIDERED REFERENCE	NO. 1109-070-188	SHEET A3
A	UPDATED DWG	025267	01/14	RA			
ISSUE	MODIFICATION	ECO	DATE	SIGN			