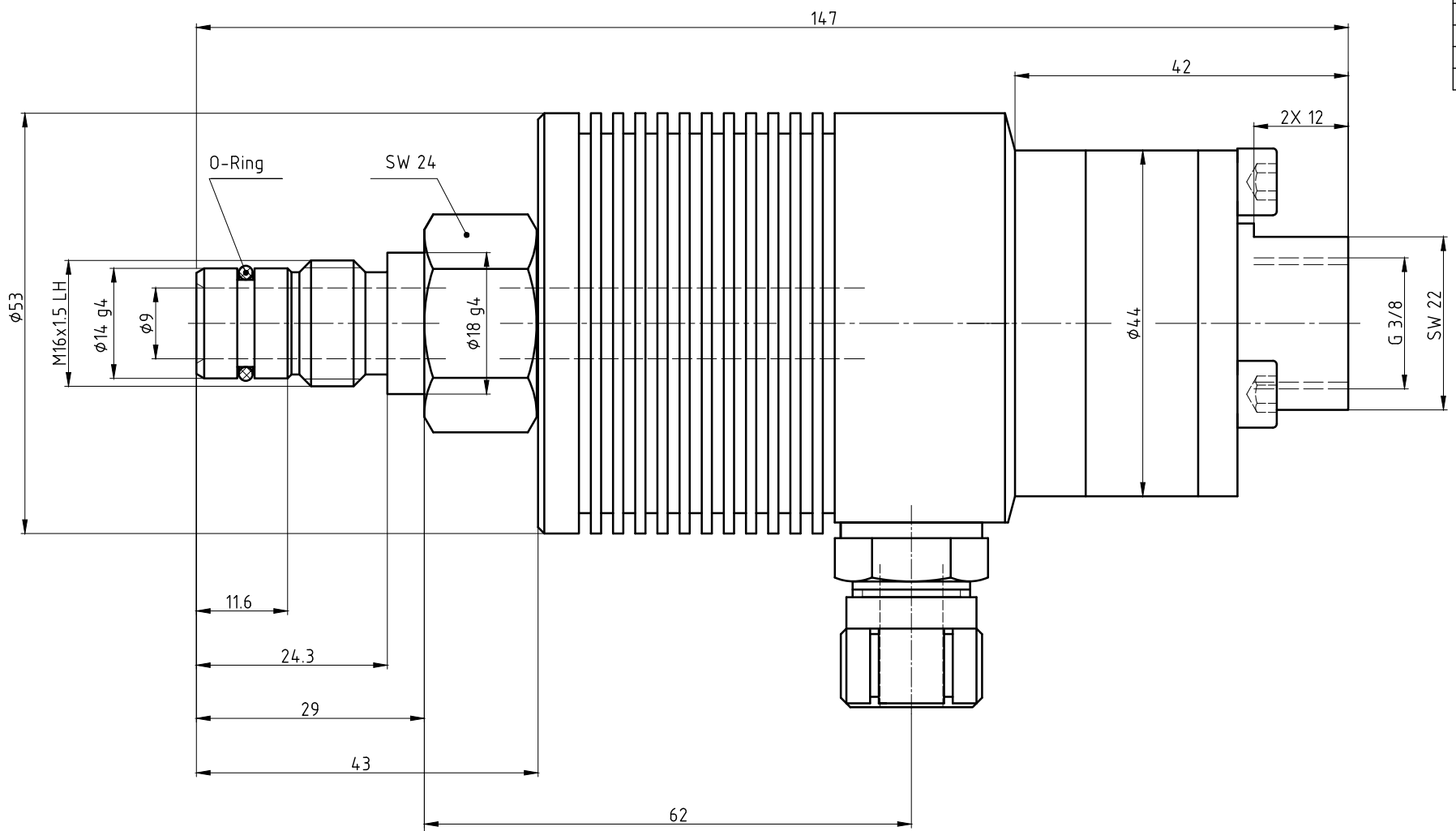
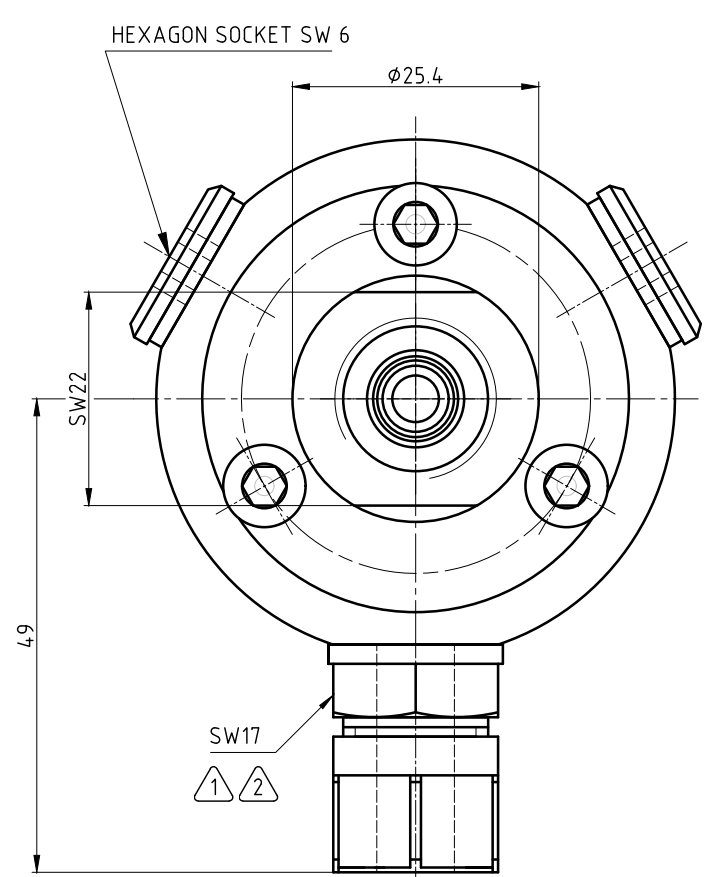
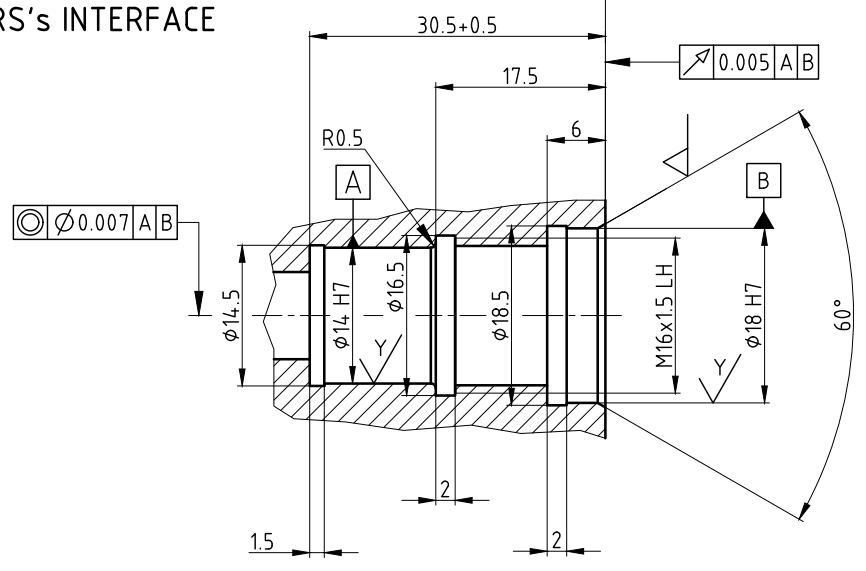


CONFIDENTIAL
 THIS DOCUMENT CONTAINS CONFIDENTIAL AND PROPRIETARY INFORMATION OF DEUBLIN COMPANY. COPYING, USE, TRANSMISSION, DISTRIBUTION, AND DISCLOSURE ARE SUBJECT TO THE TERMS AND CONDITIONS CONTAINED IN YOUR AGREEMENT WITH DEUBLIN COMPANY. ALL RIGHTS RESERVED.

φ18	g4	-0.006	17.994
		-0.011	17.989
φ14	g4	-0.006	13.994
		-0.011	13.989
φ14	H7	0	14.018
		0	14.000
φ18	H7	0	18.018
		0	18.000
Maß	Passung		



CUSTOMERS'S INTERFACE



Operating Data				
MEDIA	Coolant		Air/Oil mist	
MAX. PRESSURE	2015 PSI	140 bar	145 PSI	10 bar
MAX. SPEED	20,000 RPM	20,000 1/min	20,000 RPM	20,000 1/min
MAX. TEMPERATURE	160 °F	71 °C	160 °F	71 °C
FILTRATION	60 µm	60 µm	60 µm	60 µm
DRY RUN	possible		possible	
MAX. FLOW	6.4 GPM	24.3 l/min	>6.4 GPM	>24.3 l/min

- NOTES:
- 1. IF UNION IS MOUNTED VERTICALLY, THE LEAKAGE-LINE MUST BE BELOW THE LEAKAGE-PORT.
 - 2. IF UNION IS MOUNTED HORIZONTALLY, THE LEAKAGE-PORT MUST BE IN THE 6 O'CLOCK POSITION.

w	12.5	√ Rz=100
x	3.2	√ Rz=25
y	0.8	√ Rz=6.3
z	0.1	√ Rz=1

DEUBLIN GmbH
 D-65719 HOFHEIM-WALLAU, GERMANY

PROJECTION:	
DATE	NAME
DRN. 05/04/07	LG
ENGR. 05/04/07	AL
APPD.	

SCALE: 2:1	MATERIAL:
TITLE: DEUBLIN ROTATING UNION DEUBLIN Drehdurchführung	
NO. 1109-071-480-IC	SHEET

UNLESS SPECIFICALLY TOLERANCED, ALL DIMENSIONS ARE CONSIDERED REFERENCE