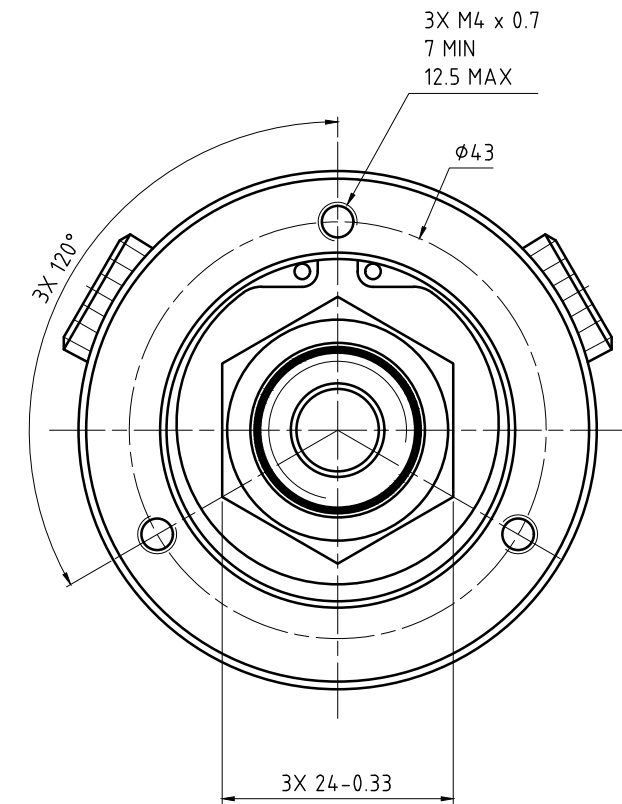
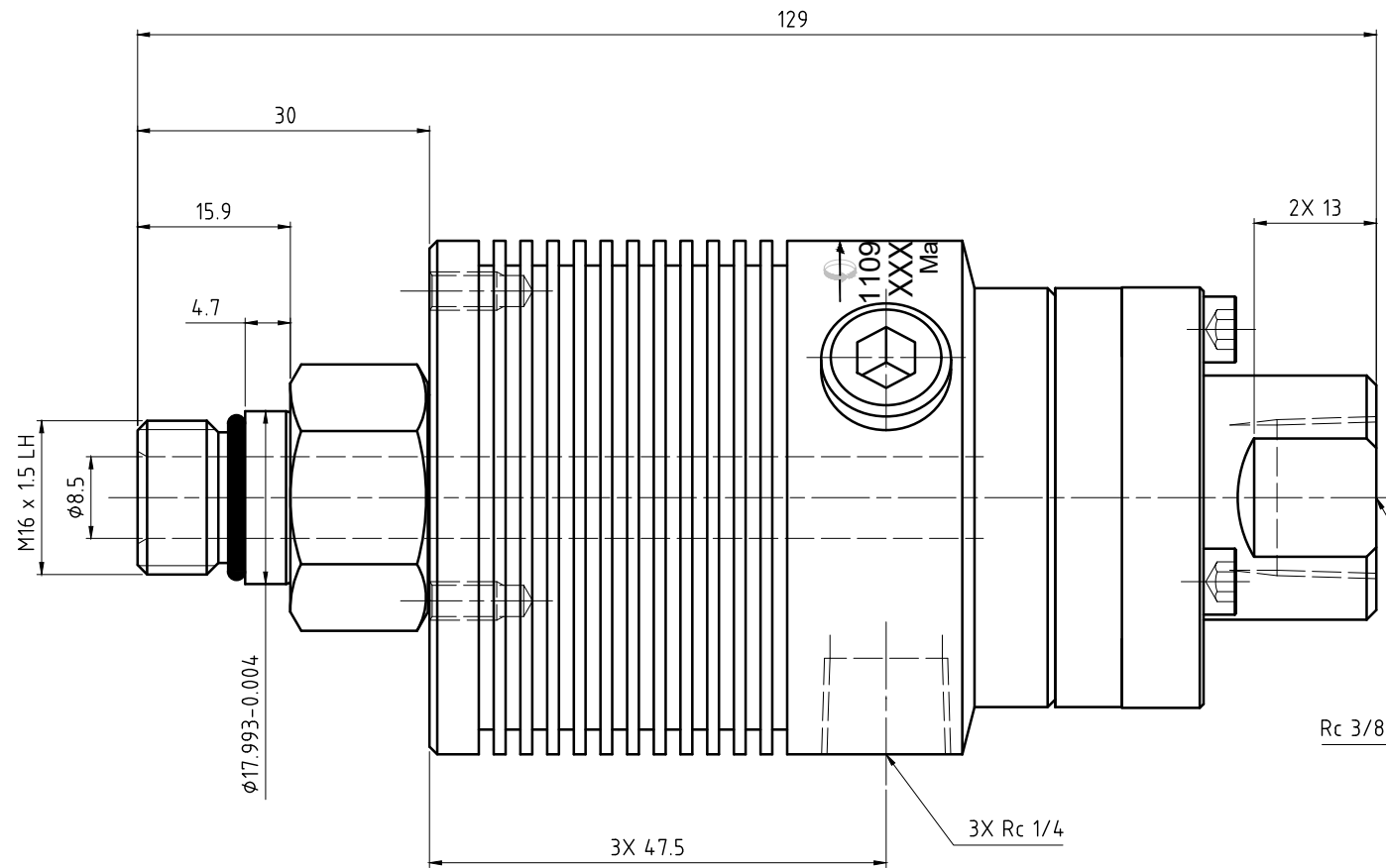
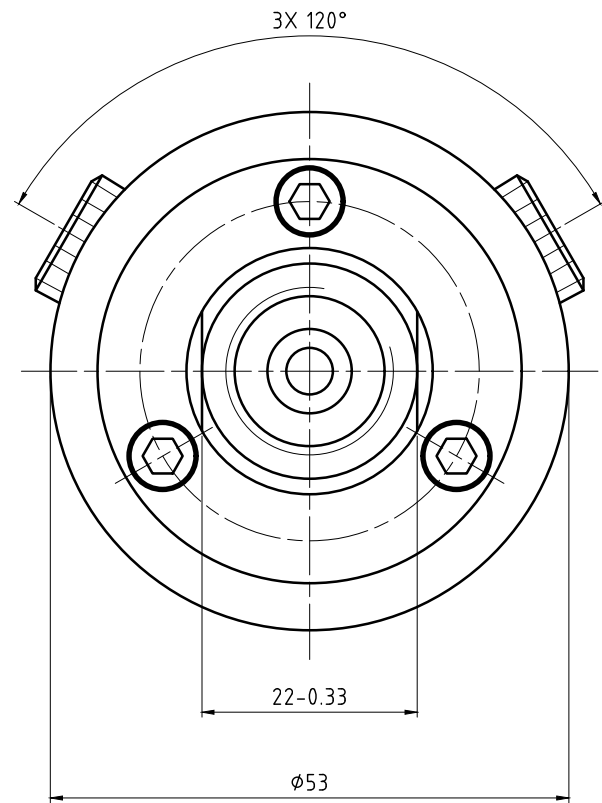
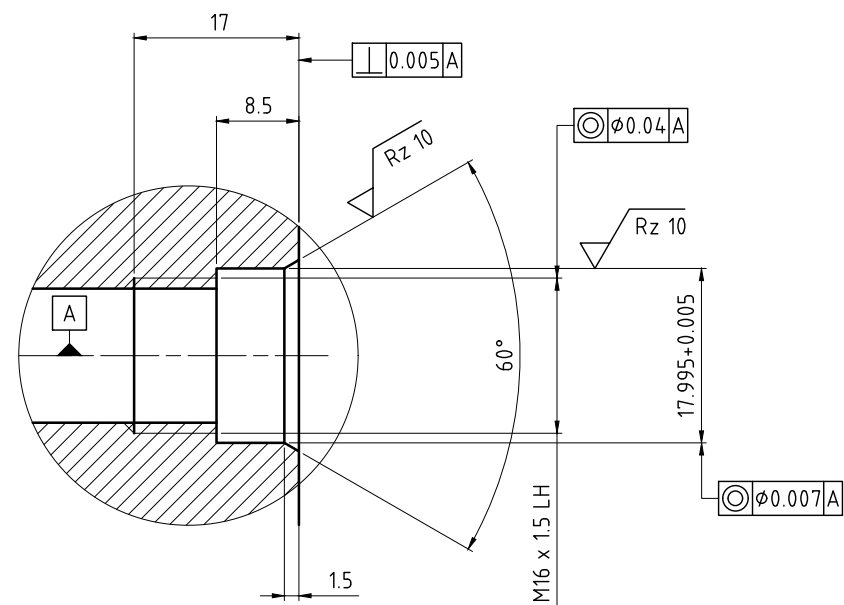


CONFIDENTIAL
 THIS DOCUMENT CONTAINS CONFIDENTIAL AND PROPRIETARY
 INFORMATION OF DEUBLIN COMPANY. COPYING, USE,
 TRANSMISSION, DISTRIBUTION, AND DISCLOSURE ARE SUBJECT TO
 THE TERMS AND CONDITIONS CONTAINED IN YOUR AGREEMENT WITH
 DEUBLIN COMPANY. ALL RIGHTS RESERVED.



CUSTOMER INTERFACE



OPERATING DATA			
MEDIA		COOLANT	MQL
MEDIA PRESSURE	MAXIMUM	105 bar	10 bar
	MINIMUM	1 bar	1 bar
FLOW RATE	MAXIMUM	82 L/min	3810 NL/min
	MINIMUM	6 L/min	360 NL/min
TEMPERATURE	MAXIMUM	70 °C	70 °C
	MINIMUM	5 °C	5 °C
MAXIMUM SPEED		20000 min ⁻¹	20000 min ⁻¹
DRY RUN	UNPRESSURIZED ONLY		
RECOMMENDED FILTRATION	ISO 4406 CLASS 17/15/12		

		PROJECTION: 	SCALE: 2:1 MATERIAL:
		DATE: 03.08.2007 NAME: H. J. Huhn	TITLE: DEUBLIN UNION
		ENGR: 03.07.2007 NAME: H. Schmid	NO. 1109-082-188
		APPD.	SHEET A2
E ADDITIONAL LAYER 031349 01/15 RA D UPDATED DWG 025267 01/14 RA ISSUE MODIFICATION ECO DATE SIGN	UNLESS SPECIFICALLY TOLERANCED, ALL DIMENSIONS ARE CONSIDERED REFERENCE		