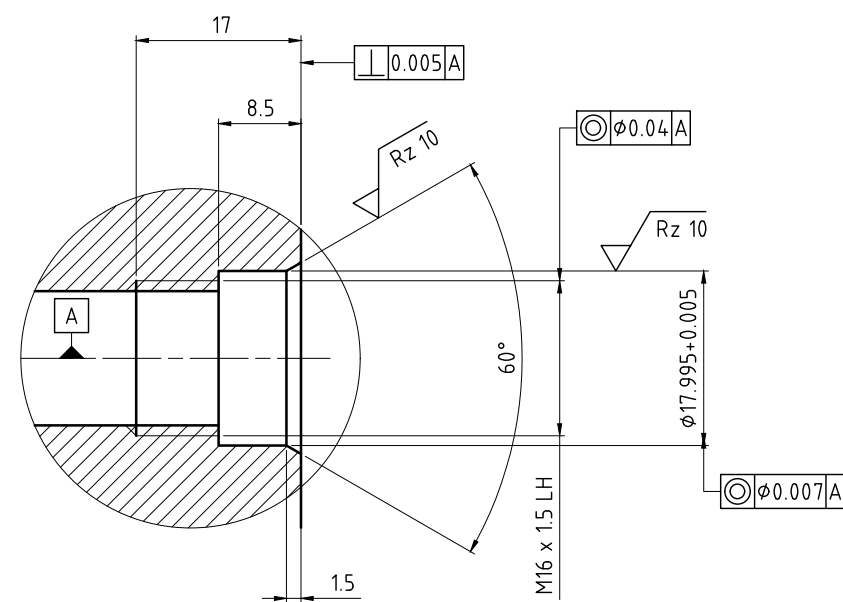


**CUSTOMER INTERFACE**



OPERATING DATA			
MEDIA		COOLANT	MQL
MEDIA	MAXIMUM	140 bar	10 bar
PRESSURE	MINIMUM	1 bar	1 bar
FLOW RATE	MAXIMUM	24.3 L/min	1128 NL/min
	MINIMUM	1 L/min	160 NL/min
TEMPERATURE	MAXIMUM	70 °C	70 °C
	MINIMUM	5 °C	5 °C
MAXIMUM SPEED		20000 min <sup>-1</sup>	20000 min <sup>-1</sup>
DRY RUN		UNPRESSURIZED ONLY	
RECOMMENDED FILTRATION		ISO 4406 CLASS 17/15/12	

	PROJECTION:	SCALE: 2:1	MATERIAL: INTERFACE CONTROL DRAWING		
	DATE	NAME	TITLE:		
	DRN. 05.06.2012	FD	DEUBLIN UNION		
	ENGR. 05.06.2012	CB			
	APPD.				
	NO.	1109-097-212	SHEET A2		
A	UPDATE DWG	027386	04/14	RA	UNLESS SPECIFICALLY TOLERANCED, ALL DIMENSIONS ARE CONSIDERED REFERENCE
	ISSUE	MODIFICATION	ECO	DATE	