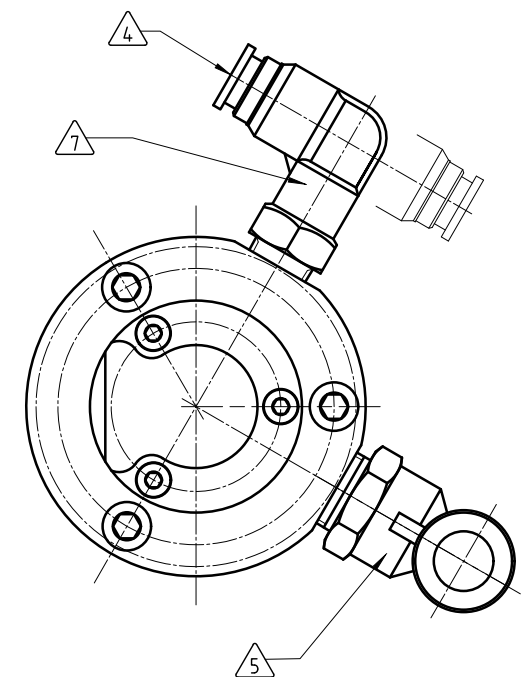
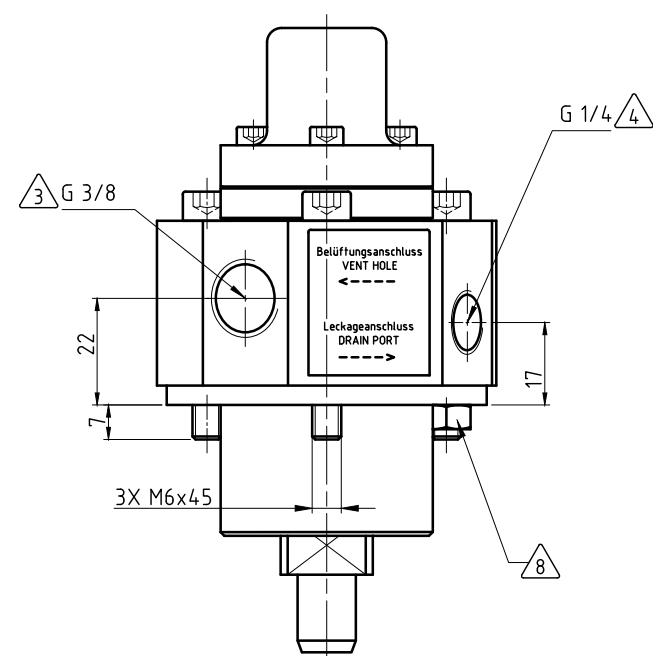
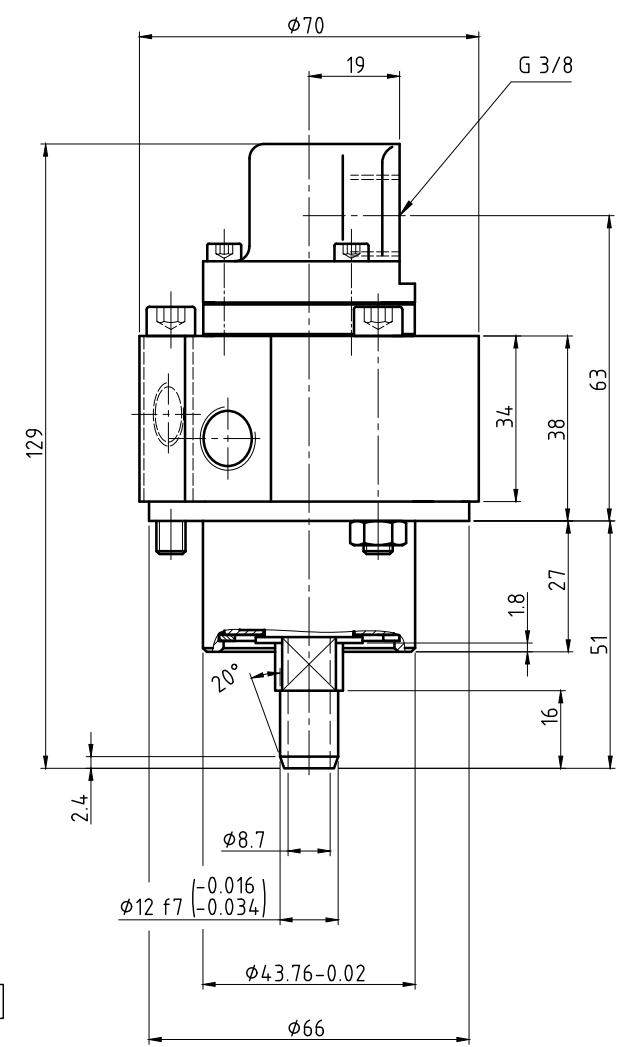
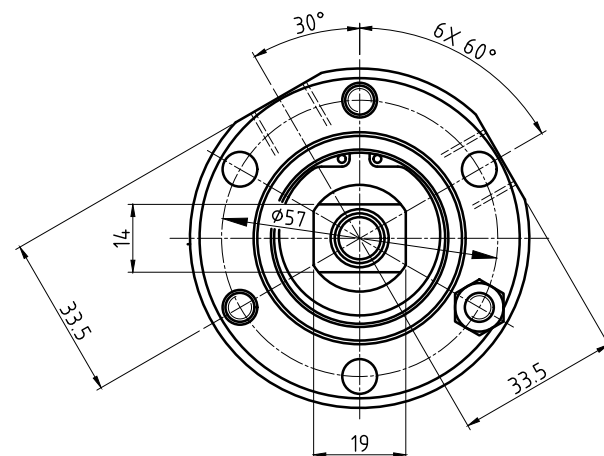
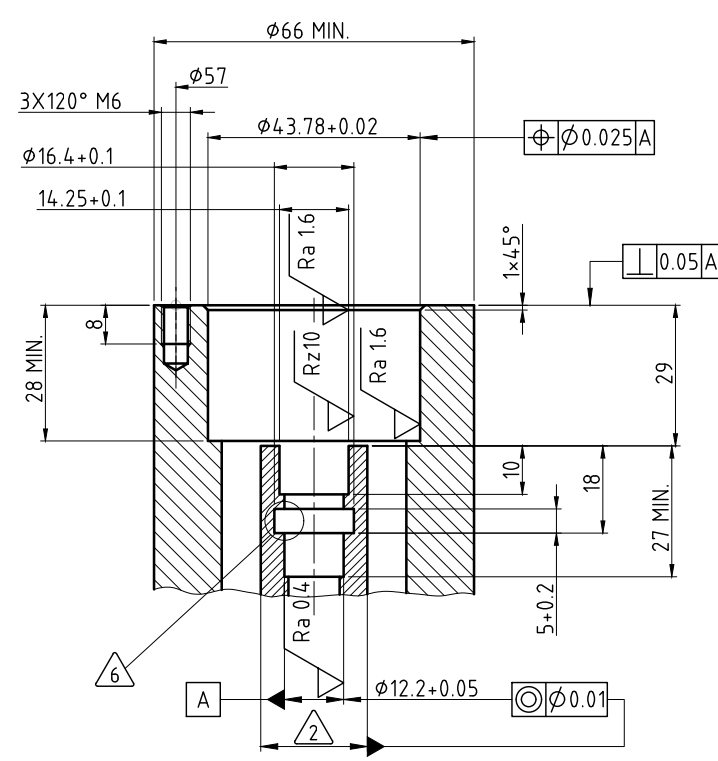


NOTES:

- 1 - CONTACT DEUBLIN OR VISIT WWW.DEUBLIN.COM
 FOR INSTRUCTION MANUAL: 040-553
- 2 - SPINDLE BEARING ARRANGEMENT.
- 3 - VENT PORT
- 4 - DRAIN PORT
- 5 - VENT PORT (FESTO QSL-3/8-12)
- 6 - GROOVE SUITABLE FOR O-RING 12.37x2.62 (-112)
 AND BACKUP RING (SUPPLIED BY CUSTOMER).
- 7 - ELBOW FITTING (FESTO QSL-1/4-10),
 SUPPLIED BY DEUBLIN.
- 8 - NUT M6 (SAFETY DEVICE FOR TRANSPORT ONLY)



CUSTOMER INTERFACE



OPERATING DATA			
MEDIA		COOLANT	MQL
PRESSURE	MAXIMUM	140 bar	10 bar
	MINIMUM	1 bar	1 bar
MAXIMUM SPEED		20000 min ⁻¹	20000 min ⁻¹
FLOW RATE	MAXIMUM	82 l/min	3089 NI/min
	MINIMUM	6 l/min	160 NI/min
TEMPERATURE	MAXIMUM	70 °C	70 °C
	MINIMUM	5 °C	5 °C
AXIAL FORCE	11.28 N/bar		
DRY RUN (WITHOUT MEDIA)	YES		
RECOMMENDED FILTRATION	≤ 60 µm		
RECOMMENDED CLEANLINESS CLASS	ISO 4406:1999 CLASS 17/15/12		

	PROJECTION:		SCALE: 1:1
	DATE		MATERIAL: INTERFACE CONTROL DRAWING
DRN. 07.11.2019	NAME	TITLE: DEUBLIN ROTATING UNION	
ENGR. 07.11.2019	FD	DEUBLIN Drehdurchführung	
APPD.		NO.	1109-640-644
UNLESS SPECIFICALLY TOLERANCED, ALL DIMENSIONS ARE CONSIDERED REFERENCE			SHEET A2
ISSUE	MODIFICATION	ECO	DATE
			SIGN