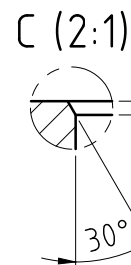
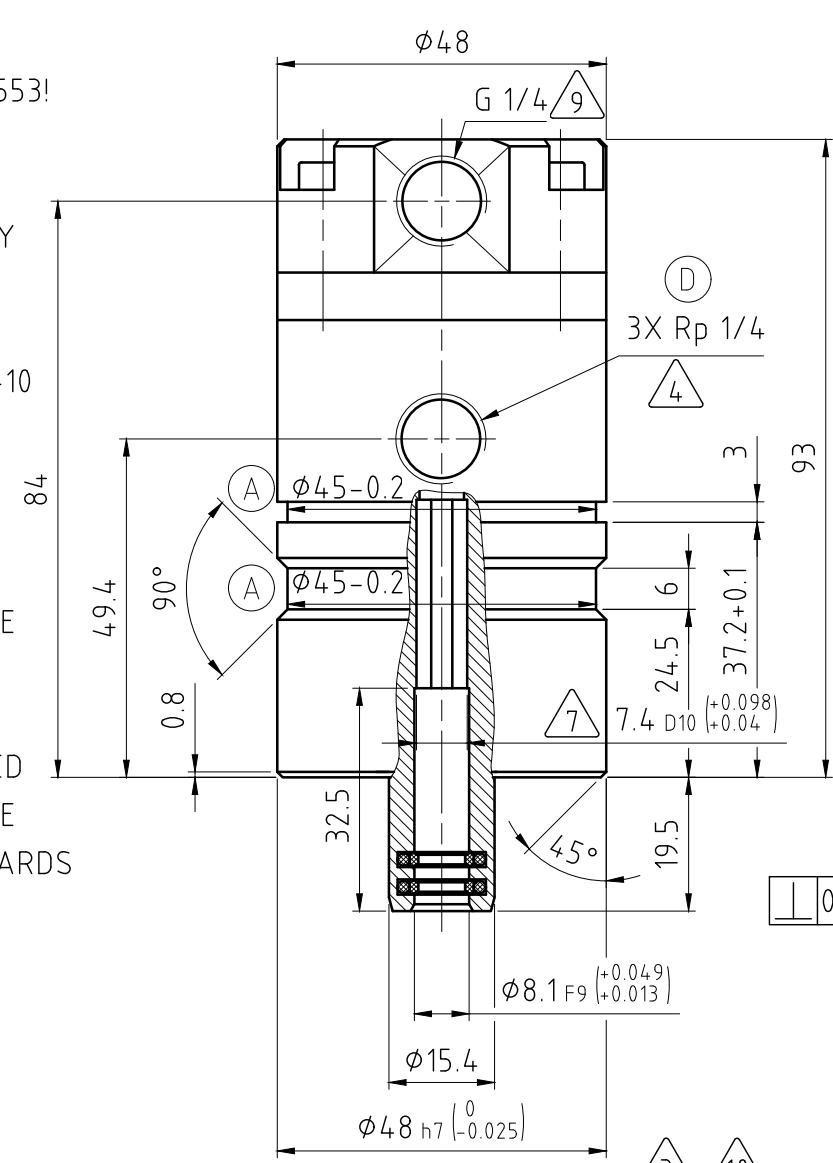


NOTES:

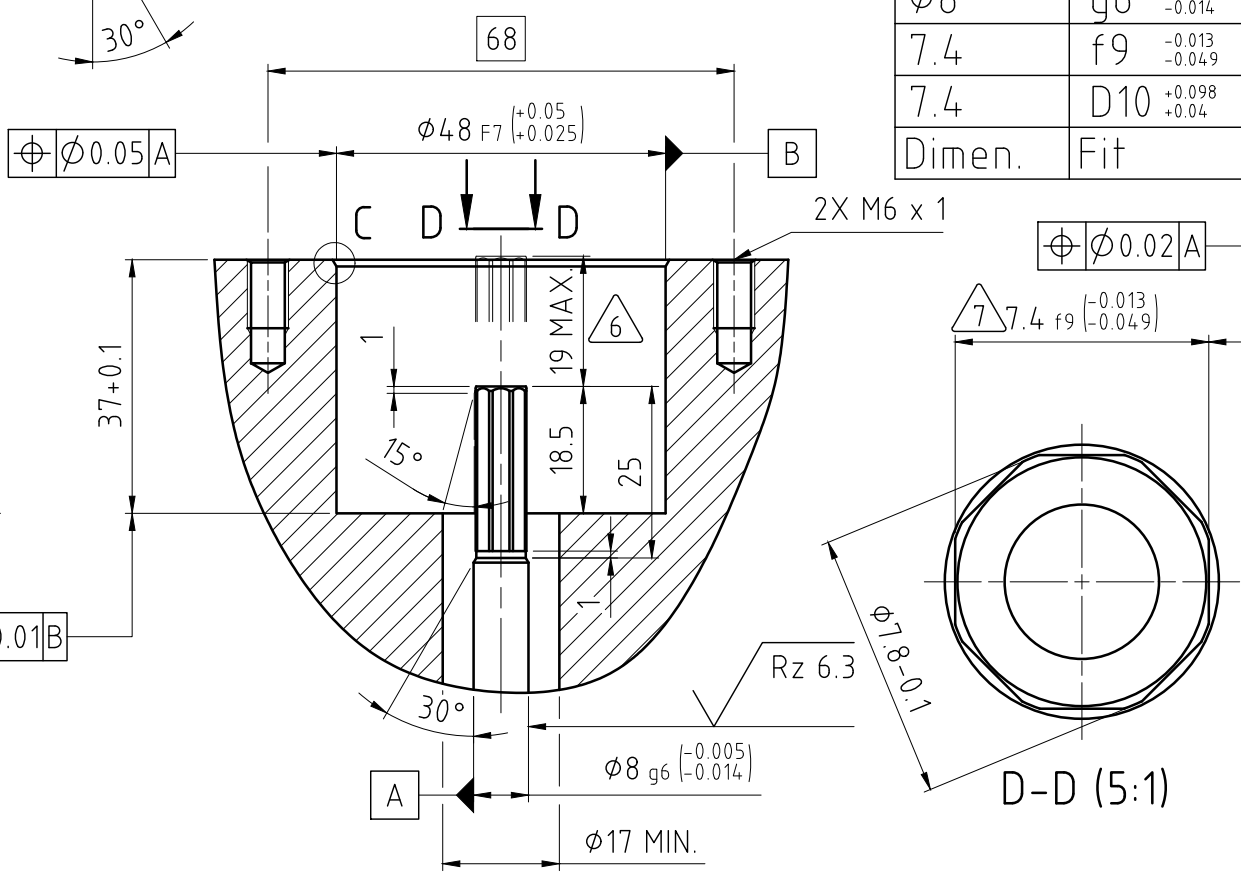
- 1 - USE INSTRUCTION MANUAL 040-553!
- 2 - ROTATING UNION WITH HYBRID SPINDLE BEARING (HC BALLS)
- 3 - 2X PIPE PLUG R 1/4 SUPPLIED BY DEUBLIN
- 4 - DRAIN PORT
- 5 - ELBOW FITTING FESTO QSL-1/4-10 SUPPLIED BY DEUBLIN
- 6 - MAXIMUM STROKE
- 7 - OCTAGON
- 8 - IN CASE OF VERTICAL MOUNTED ROTATING UNION, THE DRAIN LINE SHOULD NOT BE POSITIONED HIGHER THAN THE DRAIN PORT. IN CASE OF HORIZONTAL MOUNTED ROTATING UNION, THE DRAIN LINE SHOULD BE POSITIONED DOWNWARDS IN 6 O'CLOCK POSITION.
- 9 - MEDIA PORT
- 10 - 2X CLAMP & 2X SCREW M6x12 SUPPLIED BY DEUBLIN.

(B)

(B)

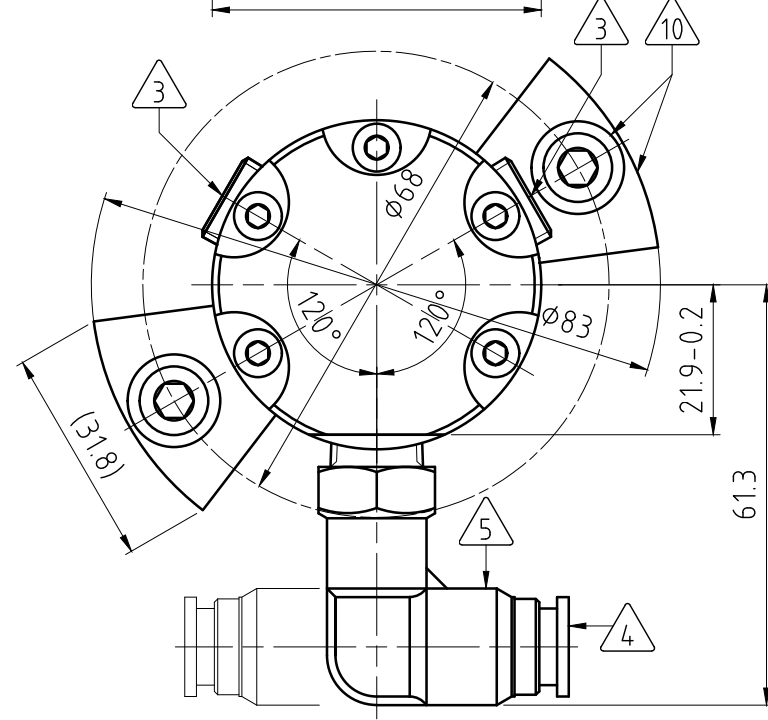


CUSTOMER INTERFACE



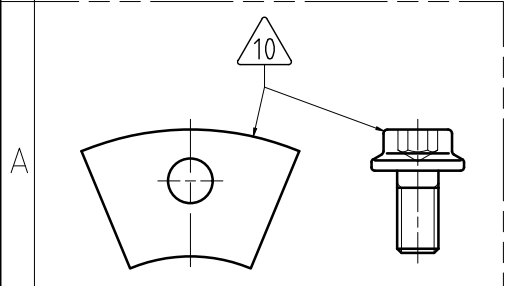
CONFIDENTIAL
THIS DOCUMENT CONTAINS CONFIDENTIAL AND PROPRIETARY INFORMATION OF DEUBLIN COMPANY. COPYING, USE, TRANSMISSION, DISTRIBUTION, AND DISCLOSURE ARE SUBJECT TO THE TERMS AND CONDITIONS CONTAINED IN YOUR AGREEMENT WITH DEUBLIN COMPANY. ALL RIGHTS RESERVED.

Ø48	h7	⁰ _{-0.025}	48	47.975
Ø48	F7	^{+0.05} _{+0.025}	48.05	48.025
Ø8.1	F9	^{+0.049} _{+0.013}	8.149	8.113
Ø8	g6	^{-0.005} _{-0.014}	7.995	7.986
7.4	f9	^{-0.013} _{-0.049}	7.387	7.351
7.4	D10	^{+0.098} _{+0.04}	7.498	7.44
Dimen.	Fit			



OPERATING DATA

		COOLANT	MQL
MEDIA PRESSURE	MAXIMUM	140 bar	10 bar
	MINIMUM	1 bar	1 bar
FLOW RATE	MAXIMUM	24.3 L/min	1128 NL/min
	MINIMUM	1 L/min	160 NL/min
TEMPERATURE	MAXIMUM	70 °C	70 °C
	MINIMUM	5 °C	5 °C
MAXIMUM SPEED		42000 min ⁻¹	42000 min ⁻¹
AXIAL FORCE		5.02 N/bar	
DRY RUN		UNPRESSURIZED ONLY	
RECOMMENDED FILTRATION		ISO 4406 CLASS 17/15/12	



DEUBLIN COMPANY
WAUKEGAN, ILLINOIS, U.S.A.

PROJECTION:

SCALE: 1:1

MATERIAL: INTERFACE CONTROL DRAWING

REV	DESCRIPTION	DATE	BY	CHKD	DATE	NAME
D	WAS R 1/4	036425	02/16	CB	DRN.	12/23/2008
C	MIN. VALUES ADDED	022001	18.02.13	HS	ENGR.	12/23/2008
B	REVISED NOTES	013052	02/11	FD	APPD.	
A	ADDED DIMENSION	006400	06/09	AL		
NONE	DRAWING RELEASED	003073	12/08	AL		
ISSUE	MODIFICATION	ECO	DATE	SIGN		

UNLESS SPECIFICALLY TOLERANCED, ALL DIMENSIONS ARE CONSIDERED REFERENCE

TITLE: DEUBLIN ROTATING UNION
DEUBLIN Drehdurchführung

NO. 1109-926-930

SHEET A3