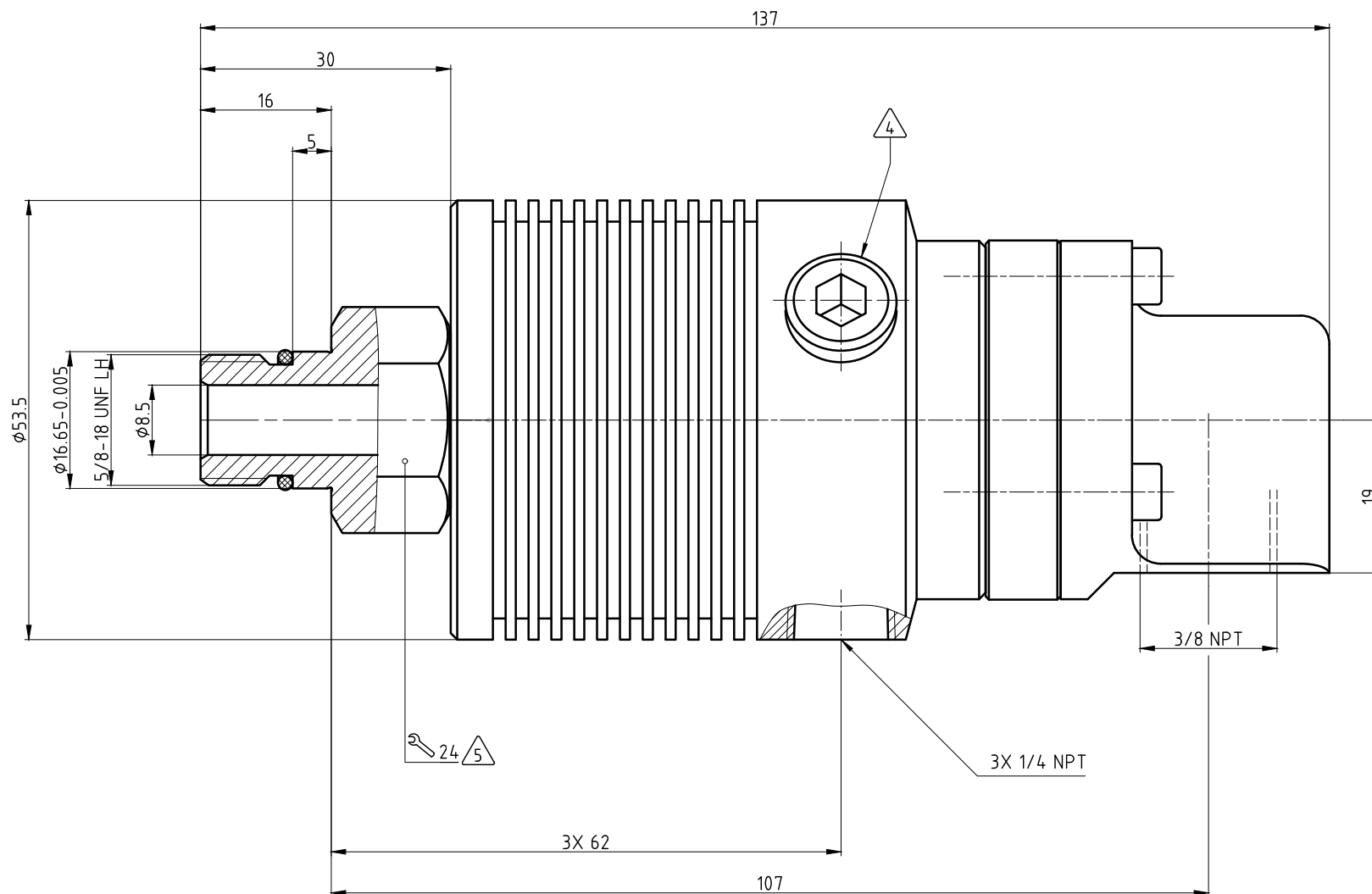
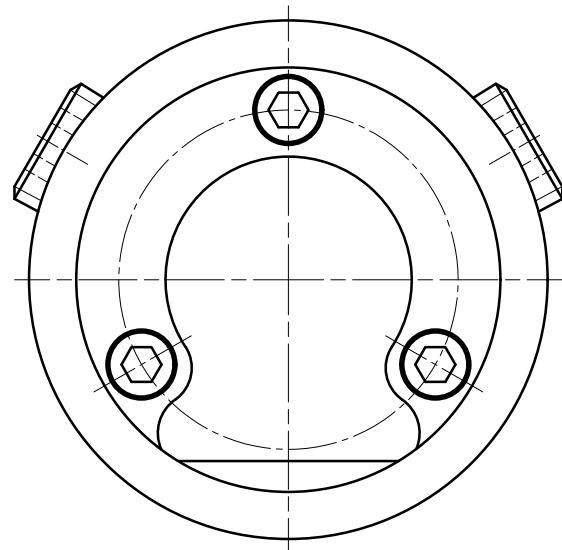
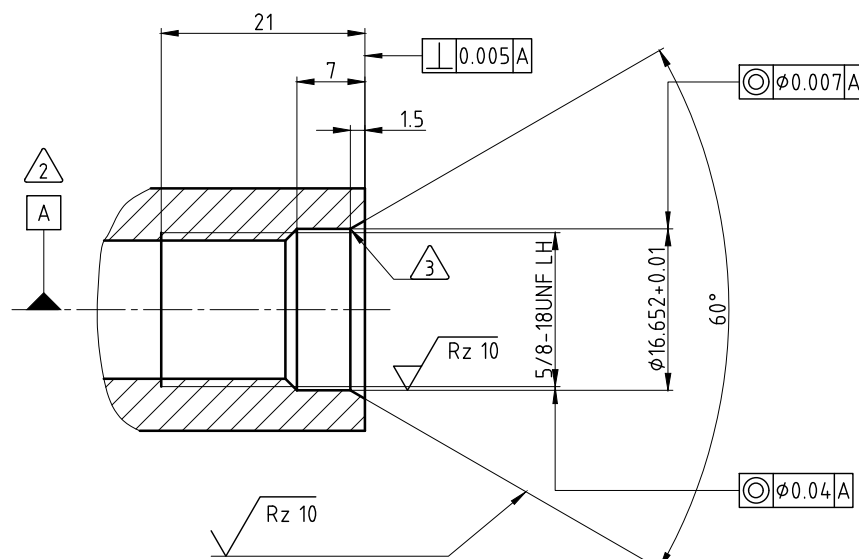


NOTES:

- 1 - CONTACT DEUBLIN OR VISIT WWW.DEUBLIN.COM  
 FOR INSTRUCTION MANUAL: 040-557.
- 2 - SPINDLE BEARING ARRANGEMENT
- 3 - ROUNDED
- 4 - 2X PIPE PLUG 1/4 NPT
- 5 - TORQUE TO 35 Nm.



**CUSTOMER INTERFACE**



OPERATING DATA				
MEDIA		COOLANT	MQL	AIR
MEDIA	MAXIMUM	105 bar	10 bar	10 bar
PRESSURE	MINIMUM	4 bar	3 bar	3 bar
FLOW RATE	MAXIMUM	82 L/min	1488 NL/min	1488 NL/min
	MINIMUM	6 L/min	360 NL/min	360 NL/min
TEMPERATURE	MAXIMUM	70 °C	70 °C	70 °C
	MINIMUM	5 °C	5 °C	5 °C
MAXIMUM SPEED		20000 min <sup>-1</sup>	20000 min <sup>-1</sup>	20000 min <sup>-1</sup>
DRY RUN	UNLIMITED			
RECOMMENDED FILTRATION	ISO 4406 CLASS 17/15/12			

		PROJECTION:	SCALE: 2:1
			DOCUMENT: INTERFACE CONTROL DRAWING
		DATE: 22.08.2017	TITLE: DEUBLIN ROTATING UNION
		NAME: CW	DEUBLIN Drehdurchführung
		ENGR. 22.08.2017	
		APPD.	
A	WAS 22.000 RPM	04.7095	10/18
UPDATE TO MS		ECO	DATE
ISSUE MODIFICATION		DATE	SIGN
UNLESS SPECIFICALLY TOLERANCED, ALL DIMENSIONS ARE CONSIDERED REFERENCE			NO. 1114-010-165
			SHEET A2