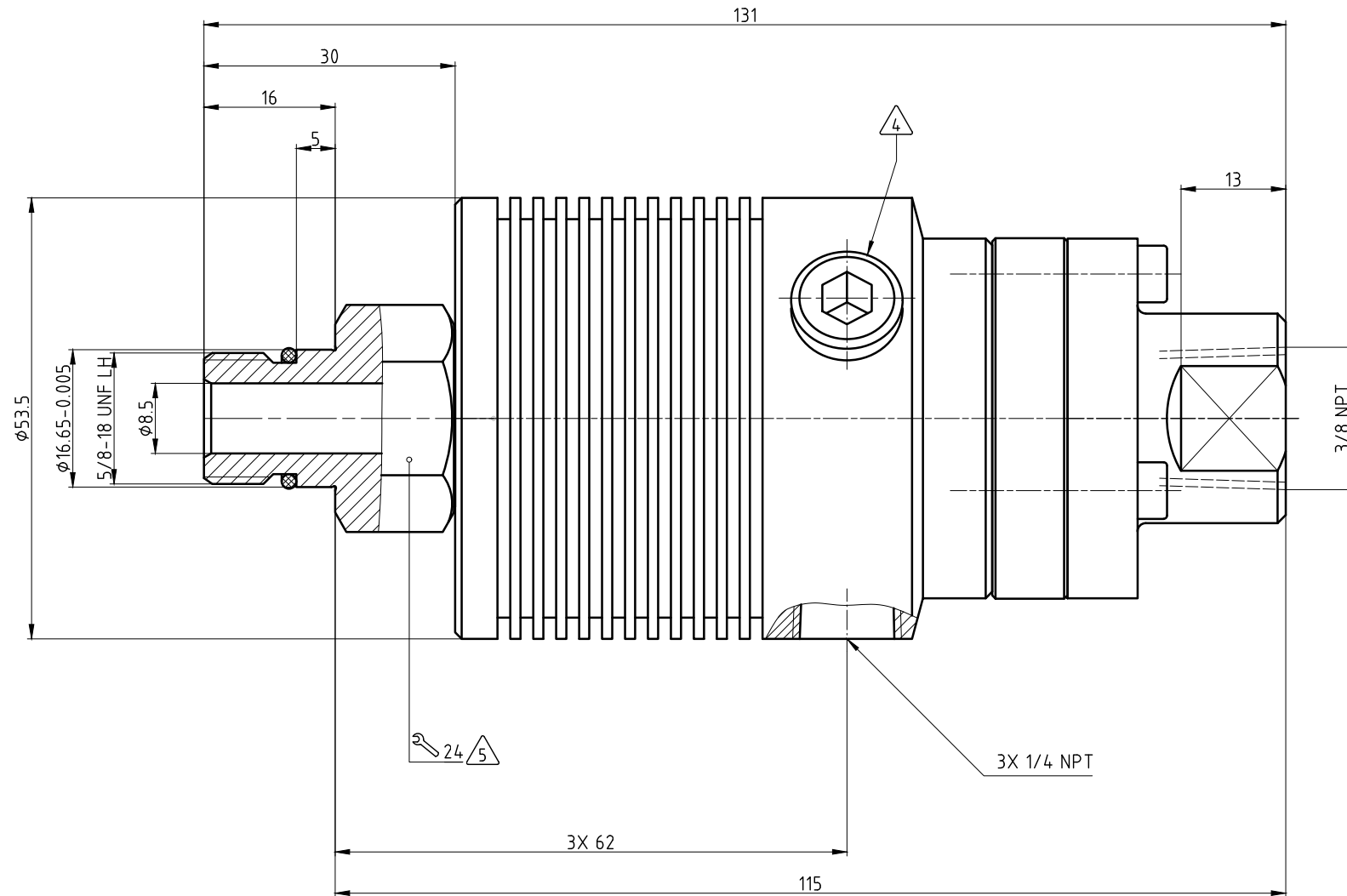
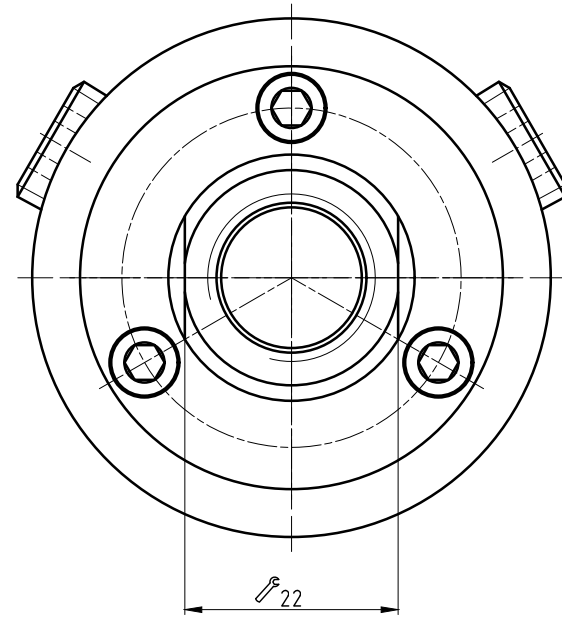


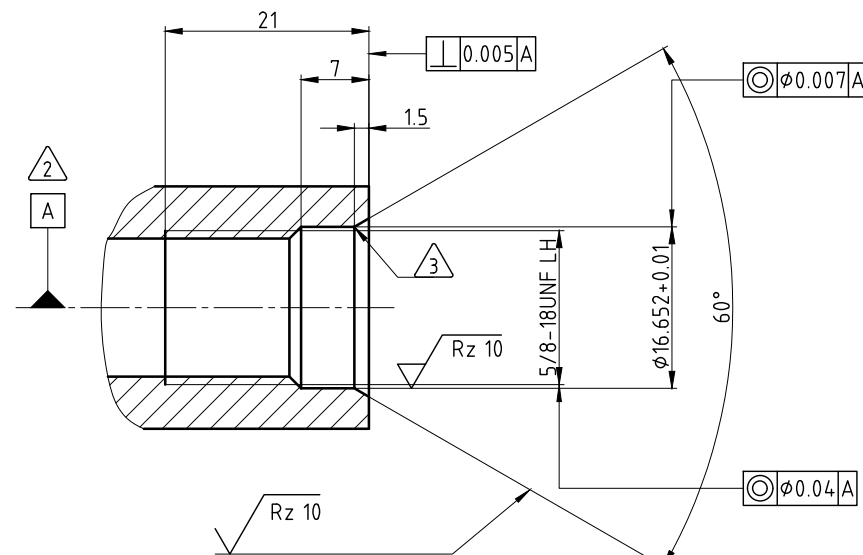
NOTES:

1 - CONTACT DEUBLIN OR VISIT WWW.DEUBLIN.COM
 FOR INSTRUCTION MANUAL: 040-557.

- ② - SPINDLE BEARING ARRANGEMENT
- ③ - ROUNDED
- ④ - 2X PIPE PLUG 1/4 NPT
- ⑤ - TORQUE TO 35 Nm.



CUSTOMER INTERFACE



OPERATING DATA				
MEDIA		COOLANT	MQL	AIR
MEDIA PRESSURE	MAXIMUM	105 bar	10 bar	10 bar
	MINIMUM	4 bar	3 bar	3 bar
FLOW RATE	MAXIMUM	82 L/min	1488 NL/min	1488 NL/min
	MINIMUM	6 L/min	360 NL/min	360 NL/min
TEMPERATURE	MAXIMUM	70 °C	70 °C	70 °C
	MINIMUM	5 °C	5 °C	5 °C
MAXIMUM SPEED		20000 min ⁻¹	20000 min ⁻¹	20000 min ⁻¹
DRY RUN	UNLIMITED			
RECOMMENDED FILTRATION	ISO 4406 CLASS 17/15/12			

		PROJECTION:	SCALE: 2:1
			DOCUMENT: INTERFACE CONTROL DRAWING
		DATE: 23.10.2018	TITLE: DEUBLIN ROTATING UNION
		NAME: CW	DEUBLIN Drehdurchführung
		ENGR: 23.10.2018	
		APPD:	
A	WAS 22.000 RPM UPDATE TO MS	04.7095	10/18
ISSUE	MODIFICATION	ECO	DATE
		SIGN	UNLESS SPECIFICALLY TOLERANCED, ALL DIMENSIONS ARE CONSIDERED REFERENCE
			NO. 1114-011-165
			SHEET A2