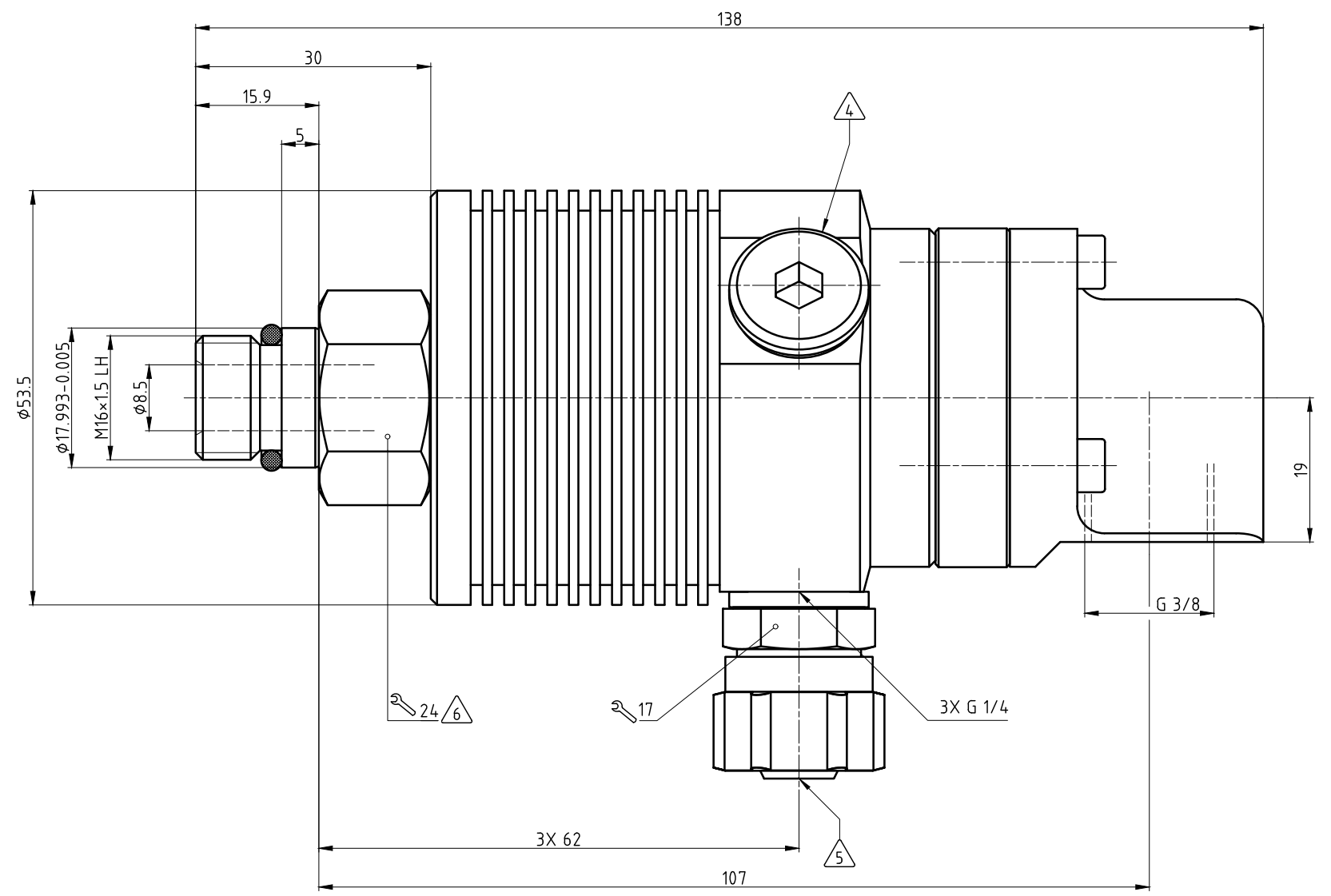
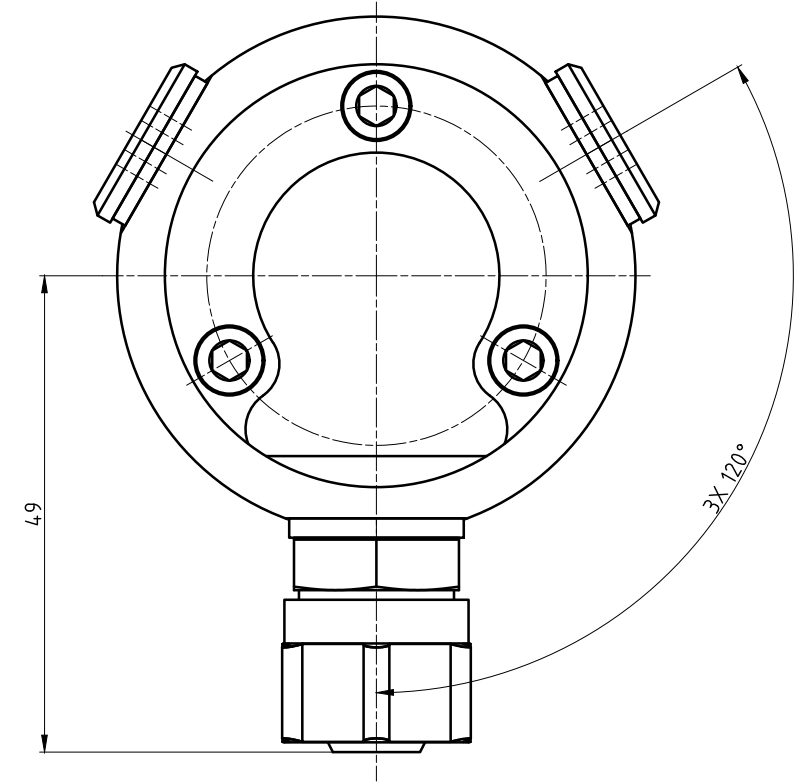
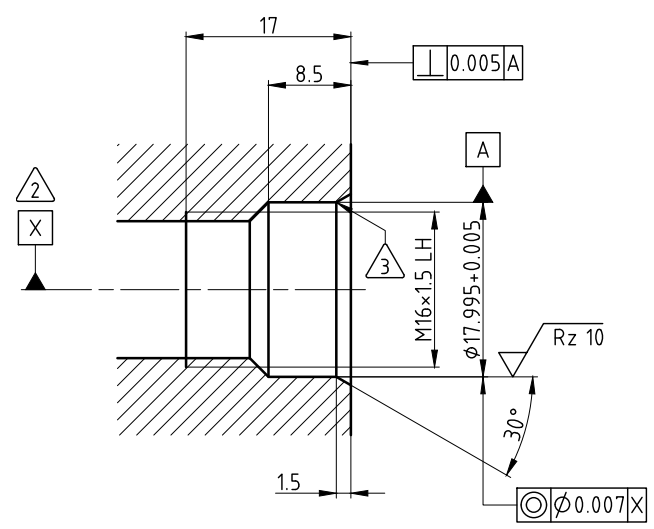


NOTES:

- 1 - CONTACT DEUBLIN OR VISIT WWW.DEUBLIN.COM
 FOR INSTRUCTION MANUAL: 040-557.
- 2 - SPINDLE BEARING ARRANGEMENT
- 3 - ROUNDED
- 4 - 2X PIPE PLUG G 1/4
- 5 - DRAIN PORT, COUPLING G 1/4 FOR 8 mm (NOMINAL SIZE) HOSE
- 6 - TORQUE TO 35 Nm.



CUSTOMER INTERFACE



OPERATING DATA				
MEDIA		COOLANT	MLQ	AIR
MEDIA	MAXIMUM	105 bar	10 bar	10 bar
PRESSURE	MINIMUM	4 bar	3 bar	3 bar
FLOW RATE	MAXIMUM	82 L/min	1488 NL/min	1488 NL/min
	MINIMUM	6 L/min	360 NL/min	360 NL/min
TEMPERATURE	MAXIMUM	70 °C	70 °C	70 °C
	MINIMUM	5 °C	5 °C	5 °C
MAXIMUM SPEED		22000 min ⁻¹	22000 min ⁻¹	22000 min ⁻¹
DRY RUN	UNLIMITED			
RECOMMENDED FILTRATION	ISO 4406 CLASS 17/15/12			

DEUBLIN
 Engineered for Performance

PROJECTION:

SCALE: 2:1

DOCUMENT: INTERFACE CONTROL DRAWING

TITLE: DEUBLIN ROTATING UNION
 DEUBLIN Drehdurchführung

NO. 1114-020-188

SHEET A2

DATE	NAME	TITLE
DRN. 02.05.2017	FD	DEUBLIN ROTATING UNION DEUBLIN Drehdurchführung
ENGR. 02.05.2017	CW	
APPD.		

UPDATE TO MS	DATE	DATE	DATE	DATE	DATE	DATE
B	0.4.2187	05/17	FD			
ISSUE	MODIFICATION	ECO	DATE	SIGN		

UNLESS SPECIFICALLY TOLERANCED, ALL DIMENSIONS ARE CONSIDERED REFERENCE