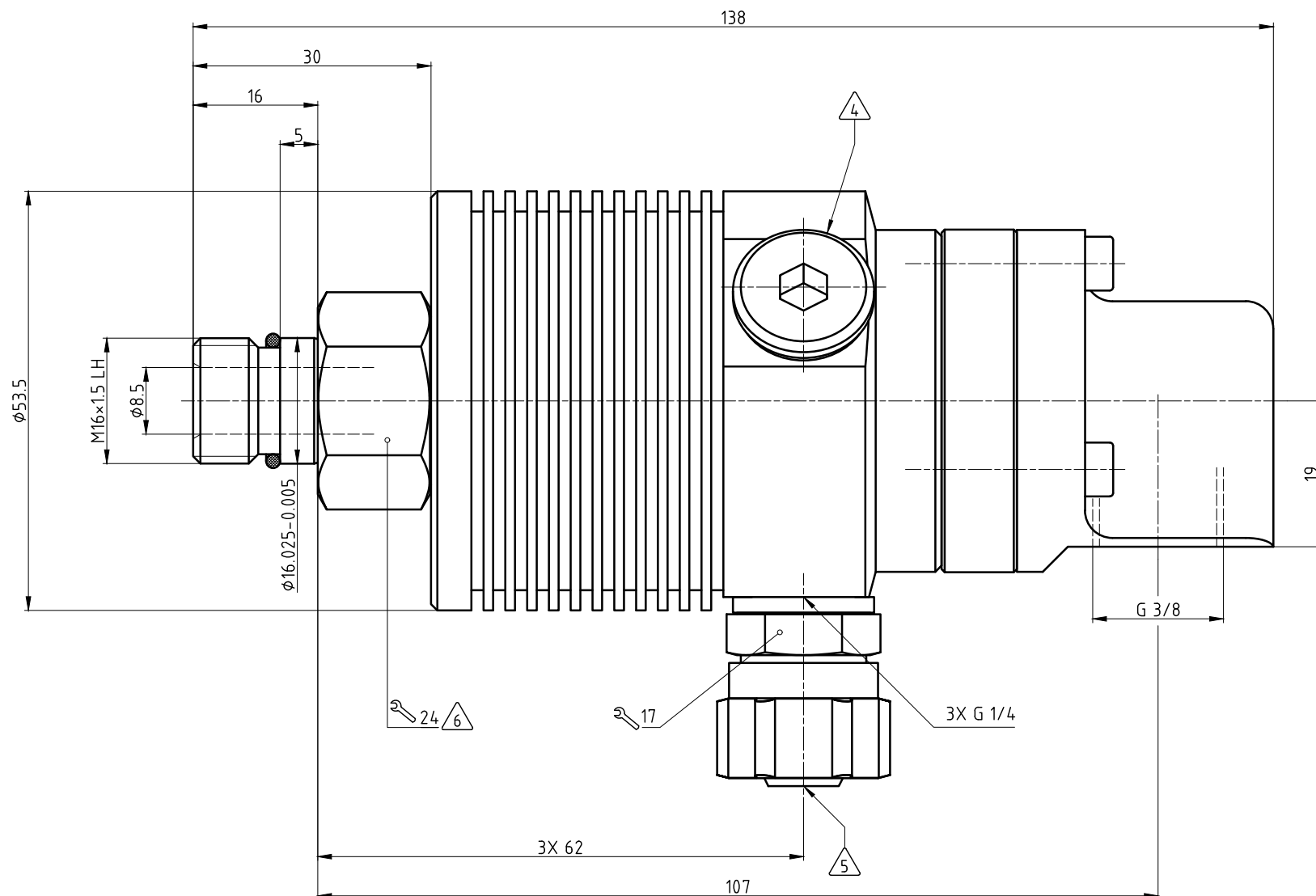
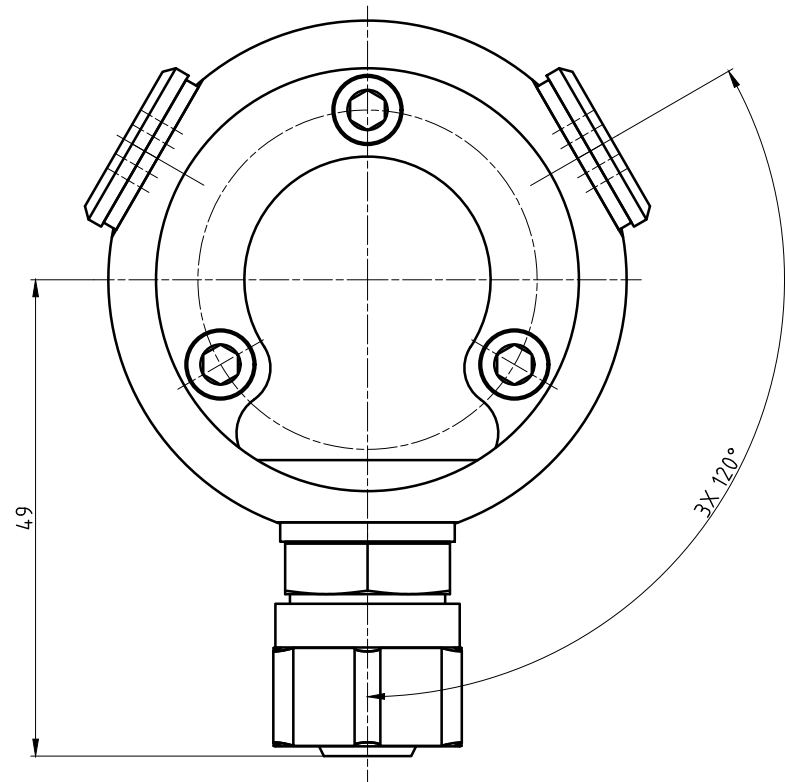
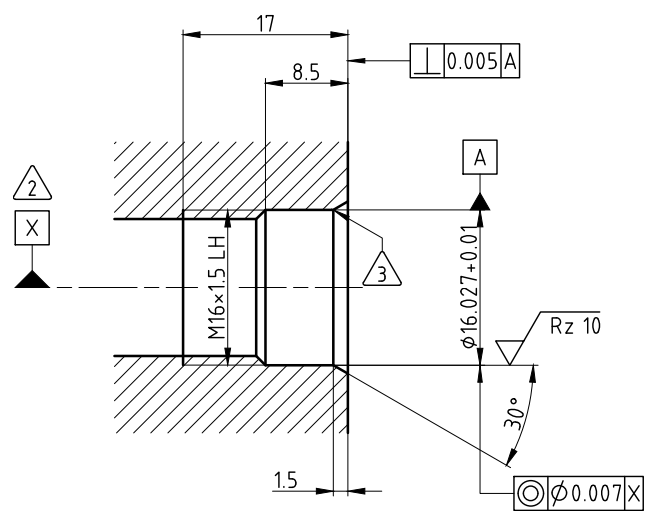


NOTES:

- 1 - CONTACT DEUBLIN OR VISIT [WWW.DEUBLIN.COM](http://WWW.DEUBLIN.COM)  
 FOR INSTRUCTION MANUAL: 040-557.
- 2 - SPINDLE BEARING ARRANGEMENT
- 3 - ROUNDED
- 4 - 2X PIPE PLUG G 1/4
- 5 - DRAIN PORT, COUPLING G 1/4 FOR 8 mm (NOMINAL SIZE) HOSE
- 6 - TORQUE TO 35 Nm.



CUSTOMER INTERFACE



OPERATING DATA

		COOLANT	MLL	AIR
MEDIA				
MEDIA PRESSURE	MAXIMUM	105 bar	10 bar	10 bar
	MINIMUM	4 bar	3 bar	3 bar
FLOW RATE	MAXIMUM	82 L/min	1488 NL/min	1488 NL/min
	MINIMUM	6 L/min	360 NL/min	360 NL/min
TEMPERATURE	MAXIMUM	70 °C	70 °C	70 °C
	MINIMUM	5 °C	5 °C	5 °C
MAXIMUM SPEED		20000 min <sup>-1</sup>	20000 min <sup>-1</sup>	20000 min <sup>-1</sup>
DRY RUN		UNLIMITED		
RECOMMENDED FILTRATION		ISO 4406 CLASS 17/15/12		

**DEUBLIN**  
 Engineered for Performance

PROJECTION:

SCALE: 2:1

DOCUMENT: INTERFACE CONTROL DRAWING

TITLE: DEUBLIN ROTATING UNION  
 DEUBLIN Drehdurchführung

NO. 1114-020-192

SHEET A2

DATE	NAME	TITLE
DRN. 19.10.2018	CW	
ENGR. 19.10.2018	CW	
APPD.		

UNLESS SPECIFICALLY TOLERANCED, ALL DIMENSIONS ARE CONSIDERED REFERENCE

ISSUE	MODIFICATION	ECO	DATE	SIGN
C	UPDATE TO MS WAS 22.000 RPM	04.7095	10/18	CW