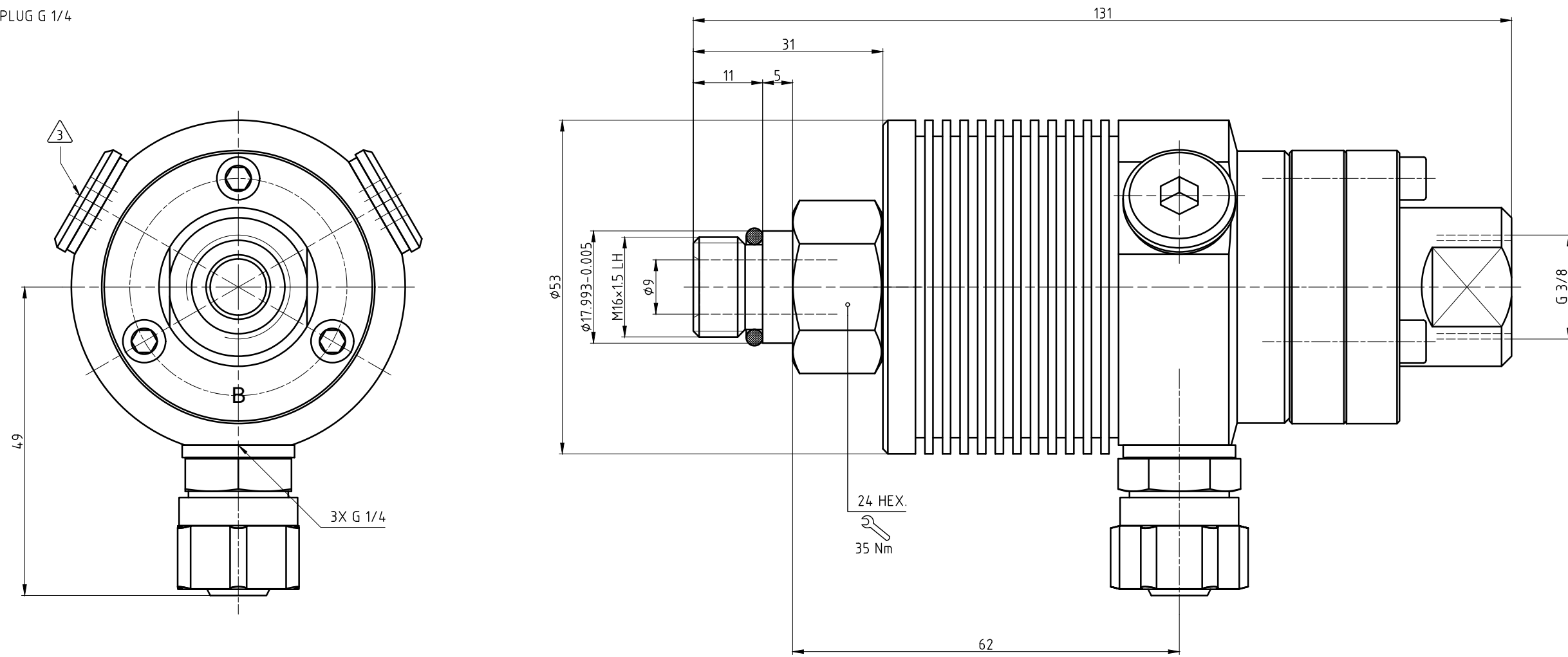


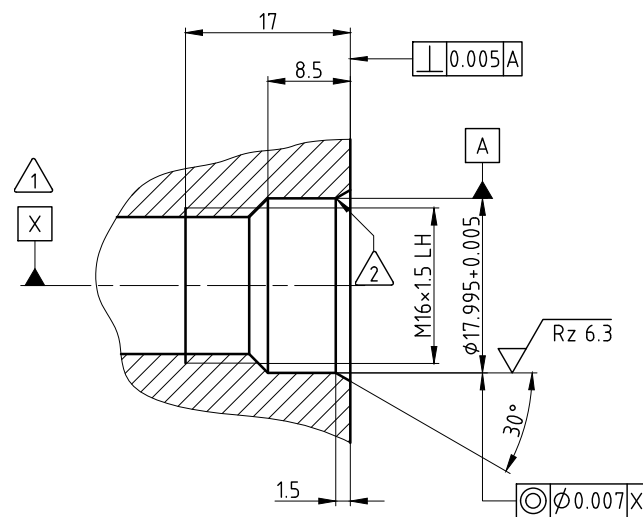
CONFIDENTIAL  
 THIS DOCUMENT CONTAINS CONFIDENTIAL AND PROPRIETARY INFORMATION OF DEUBLIN COMPANY. COPYING, USE, TRANSMISSION, DISTRIBUTION, AND DISCLOSURE ARE SUBJECT TO THE TERMS AND CONDITIONS CONTAINED IN YOUR AGREEMENT WITH DEUBLIN COMPANY. ALL RIGHTS RESERVED.

NOTES:

- ① - SPINDLE BEARING ARRANGEMENT
- ② - ROUNDED
- ③ - 2X PIPE PLUG G 1/4



CUSTOMER'S INTERFACE



OPERATING DATA			
MEDIA		COOLANT	MQL/AIR
PRESSURE	MAXIMUM	105 bar	10 bar
	MINIMUM	0.5 bar	0.5 bar
MAXIMUM SPEED		22000 min <sup>-1</sup>	22000 min <sup>-1</sup>
FLOW RATE	MAXIMUM	82 l/min	2460 Nl/min
	MINIMUM	-- l/min	-- Nl/min
TEMPERATURE	MAXIMUM	70 °C	70 °C
	MINIMUM	5 °C	5 °C
AXIAL FORCE		--- N/bar	
DRY RUN		UNLIMITED	



SCALE: 2:1  
 MATERIAL: INTERFACE CONTROL DRAWING

TITLE: DEUBLIN ROTATING UNION  
 DEUBLIN Drehdurchführung

NO. 1114-021-188

SHEET A2

UNLESS SPECIFICALLY TOLERANCED, ALL DIMENSIONS ARE CONSIDERED REFERENCE

ISSUE MODIFICATION ECO DATE SIGN