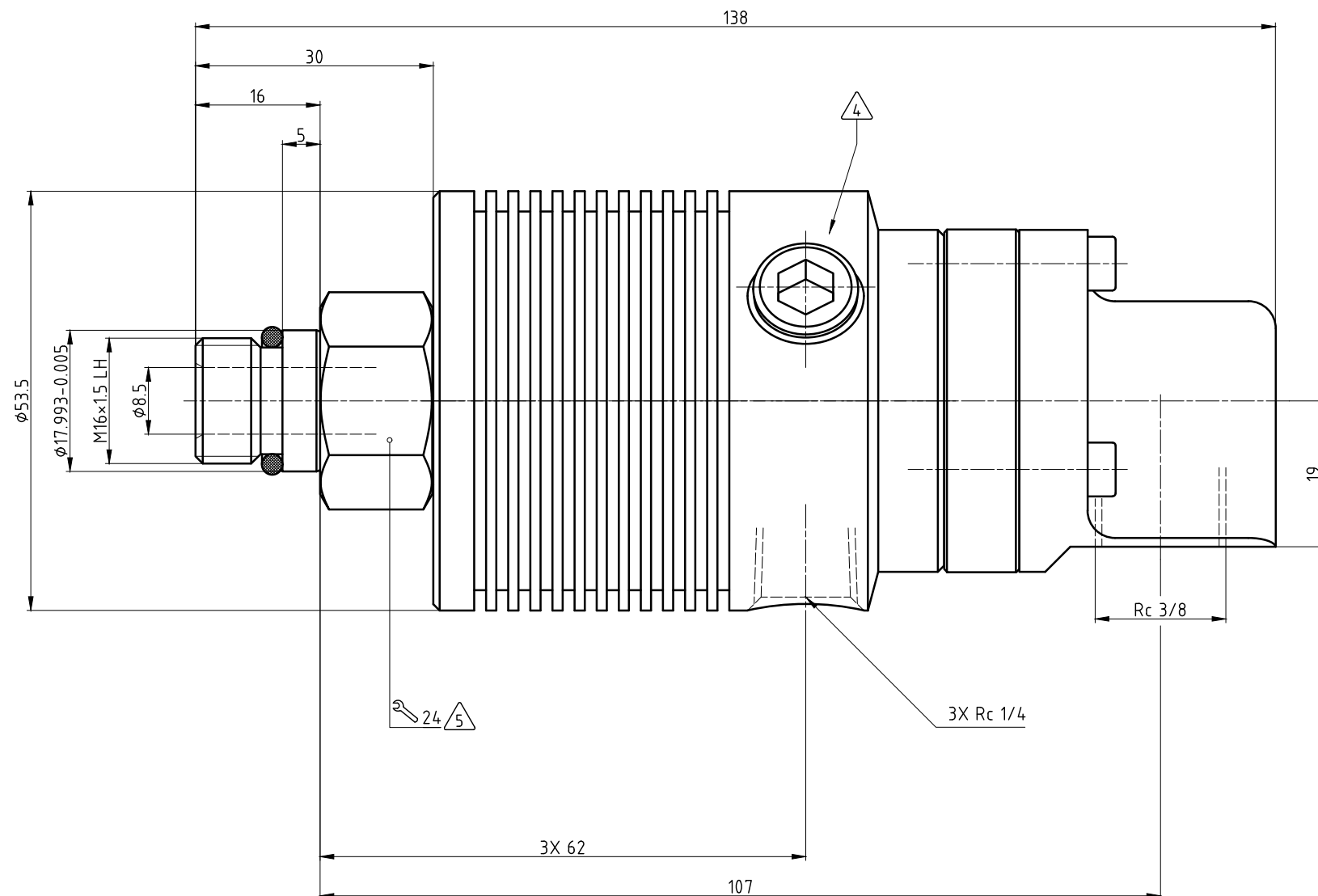
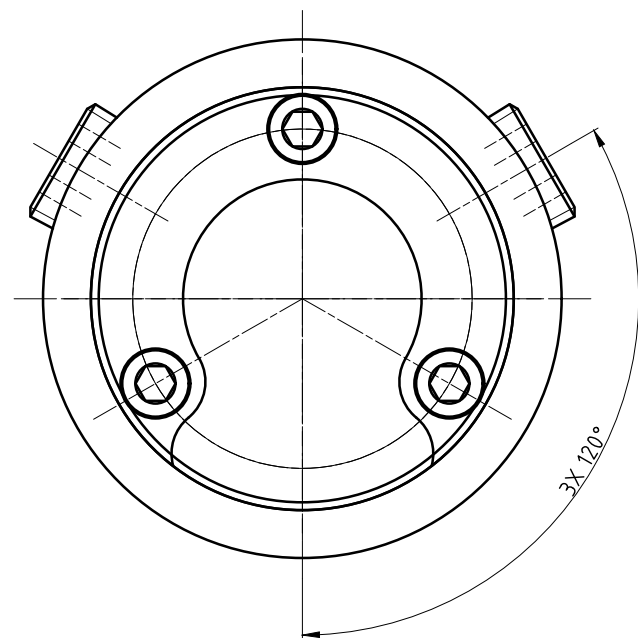
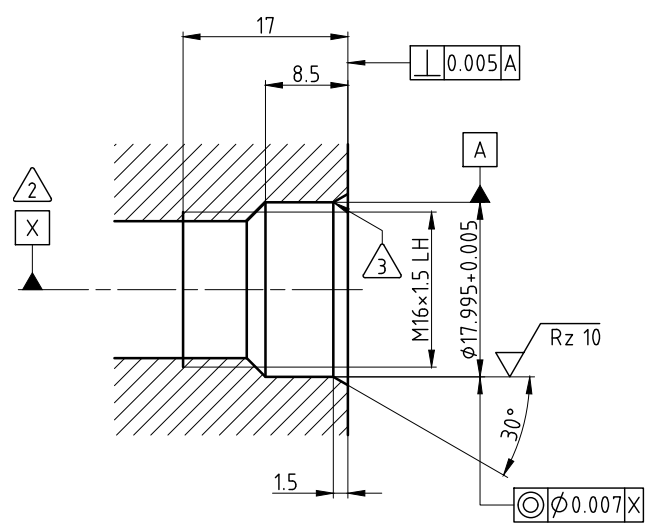


NOTES:

- 1 - CONTACT DEUBLIN OR VISIT WWW.DEUBLIN.COM
 FOR INSTRUCTION MANUAL: 040-557.
- 2 - SPINDLE BEARING ARRANGEMENT
- 3 - ROUNDED
- 4 - 2X PIPE PLUG Rc 1/4
- 5 - TORQUE TO 35 Nm.



CUSTOMER INTERFACE



OPERATING DATA

		COOLANT	ML	AIR
MEDIA				
MEDIA PRESSURE	MAXIMUM	105 bar	10 bar	10 bar
	MINIMUM	4 bar	3 bar	3 bar
FLOW RATE	MAXIMUM	82 L/min	1488 NL/min	1488 NL/min
	MINIMUM	6 L/min	360 NL/min	360 NL/min
TEMPERATURE	MAXIMUM	70 °C	70 °C	70 °C
	MINIMUM	5 °C	5 °C	5 °C
(A) MAXIMUM SPEED		20000 min ⁻¹	20000 min ⁻¹	20000 min ⁻¹
DRY RUN		UNLIMITED		
RECOMMENDED FILTRATION		ISO 4406 CLASS 17/15/12		



SCALE: 2:1

DOCUMENT: INTERFACE CONTROL DRAWING

DATE	NAME	TITLE
DRN. 23.10.2018	CW	DEUBLIN ROTATING UNION DEUBLIN Drehdurchführung
ENGR. 23.10.2018	FD	
APPD.		

ISSUE	MODIFICATION	ECO	DATE	SIGN
A	WAS 22.000 RPM UPDATE TO MS	04.7095	10/18	CW

NO. 1114-040-188

SHEET A2

UNLESS SPECIFICALLY TOLERANCED, ALL DIMENSIONS ARE CONSIDERED REFERENCE