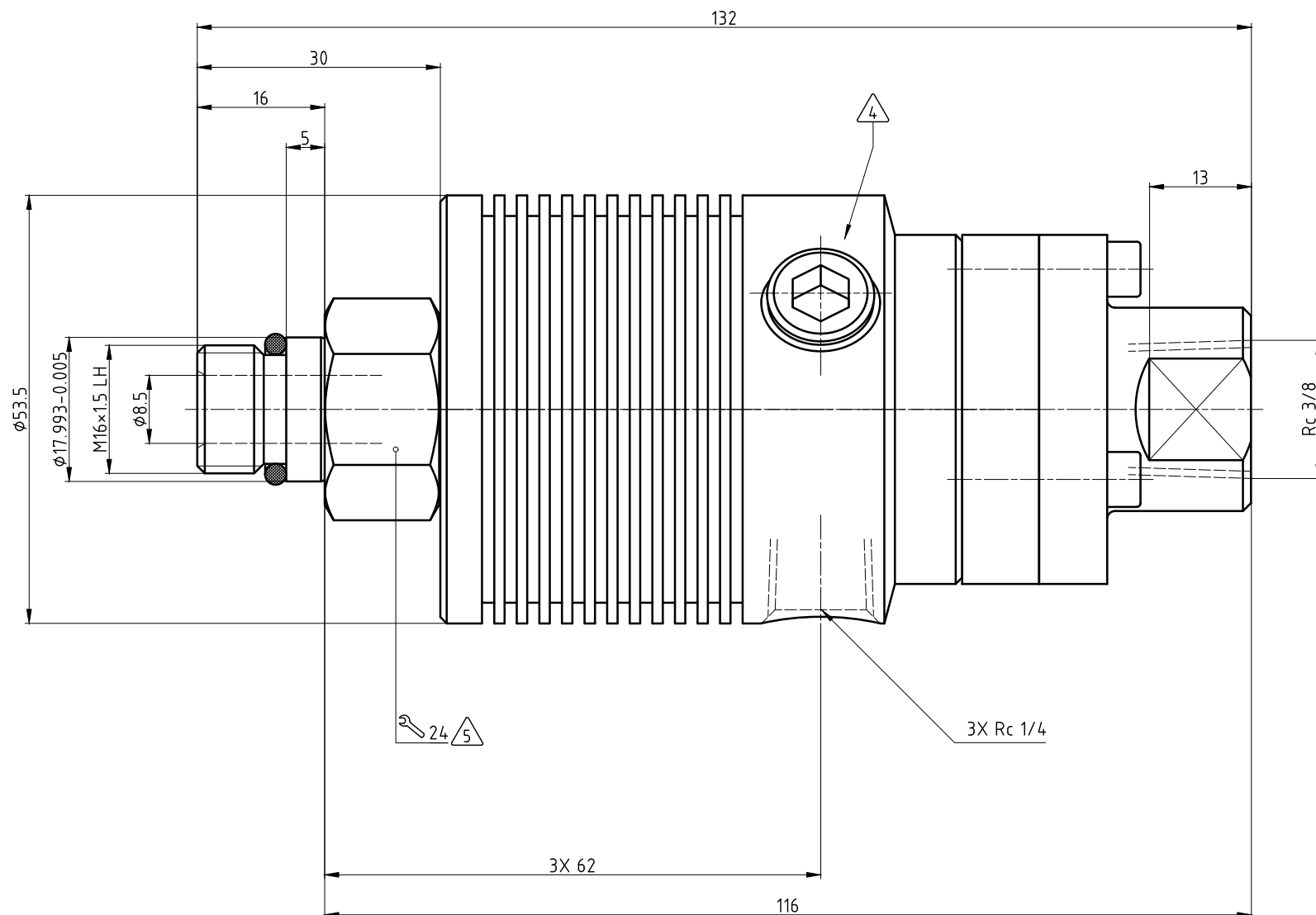
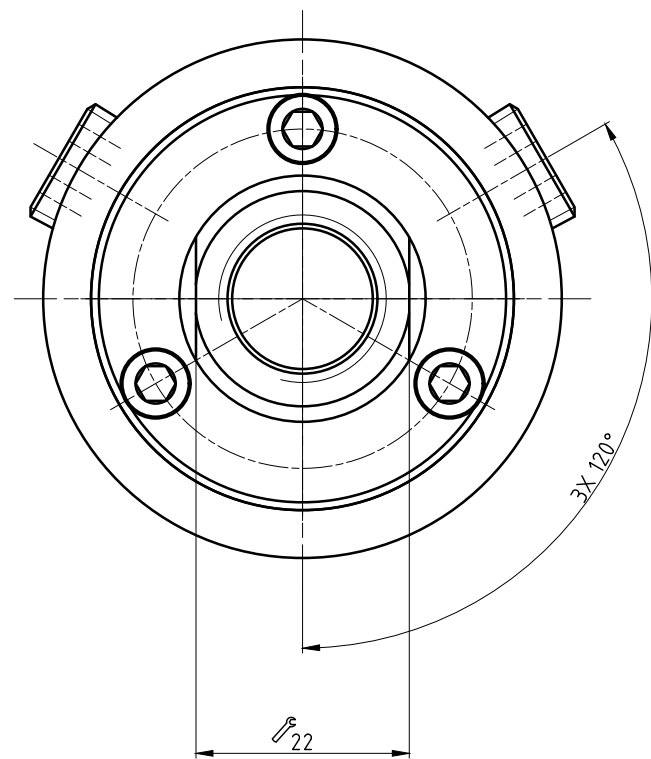
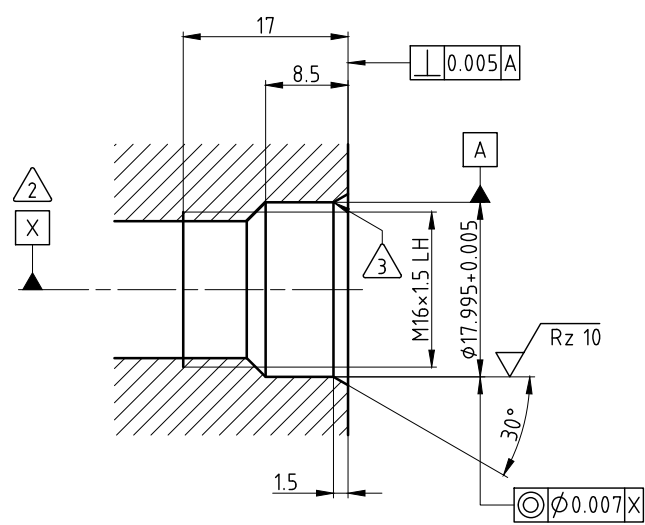


NOTES:

- 1 - CONTACT DEUBLIN OR VISIT [WWW.DEUBLIN.COM](http://WWW.DEUBLIN.COM)  
 FOR INSTRUCTION MANUAL: 040-557.
- 2 - SPINDLE BEARING ARRANGEMENT
- 3 - ROUNDED
- 4 - 2X PIPE PLUG Rc 1/4
- 5 - TORQUE TO 35 Nm.



CUSTOMER INTERFACE



OPERATING DATA				
MEDIA		COOLANT	MQL	AIR
MEDIA PRESSURE	MAXIMUM	105 bar	10 bar	10 bar
	MINIMUM	4 bar	3 bar	3 bar
FLOW RATE	MAXIMUM	82 L/min	1488 NL/min	1488 NL/min
	MINIMUM	6 L/min	360 NL/min	360 NL/min
TEMPERATURE	MAXIMUM	70 °C	70 °C	70 °C
	MINIMUM	5 °C	5 °C	5 °C
MAXIMUM SPEED		20000 min <sup>-1</sup>	20000 min <sup>-1</sup>	20000 min <sup>-1</sup>
DRY RUN	UNLIMITED			
RECOMMENDED FILTRATION	ISO 4406 CLASS 17/15/12			

		PROJECTION:	SCALE: 2:1
		DATE: 23.10.2018 NAME: CW	DOCUMENT: INTERFACE CONTROL DRAWING
		ENGR: 23.10.2018 NAME: FD	TITLE: DEUBLIN ROTATING UNION DEUBLIN Drehdurchführung
		APPD.	NO. 1114-041-188
A WAS 22,000 RPM REDRAWN	04.7095	10/18 CW	SHEET A2
ISSUE MODIFICATION	ECO	DATE	SIGN

UNLESS SPECIFICALLY TOLERANCED, ALL DIMENSIONS ARE CONSIDERED REFERENCE