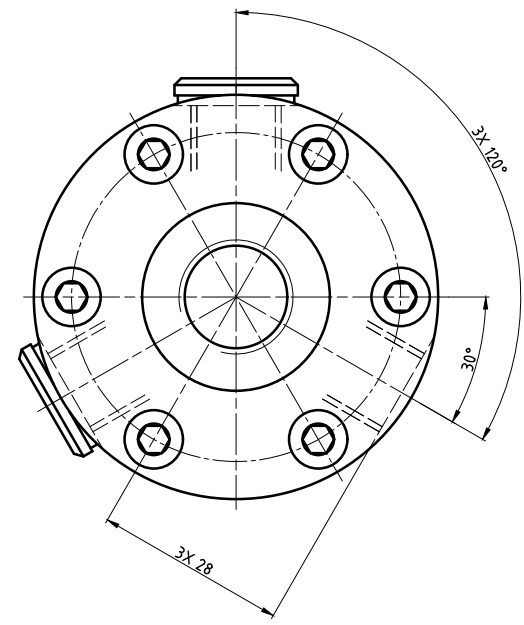
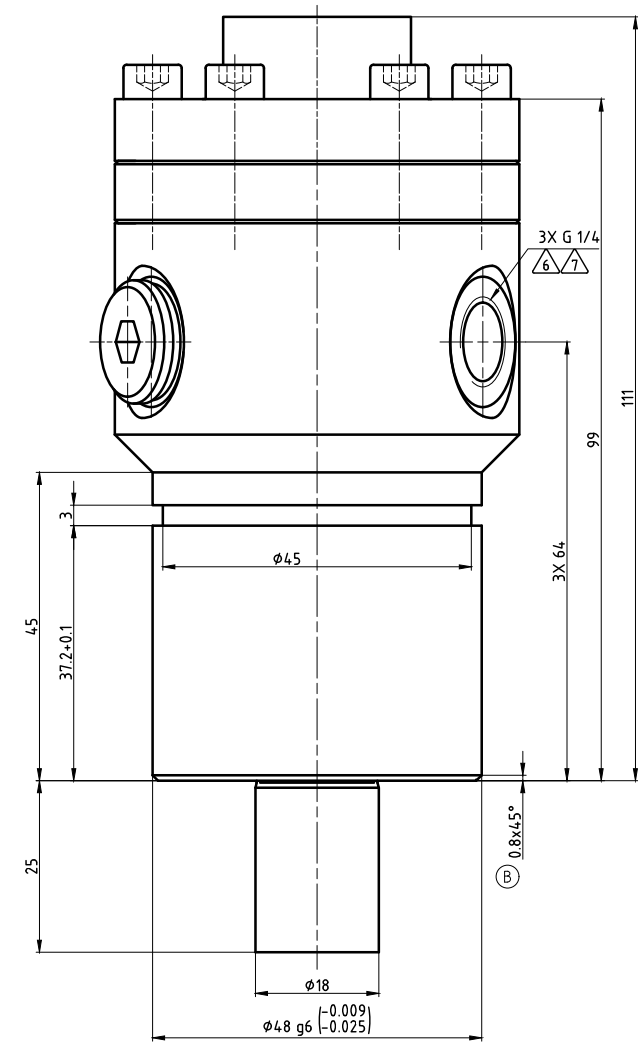
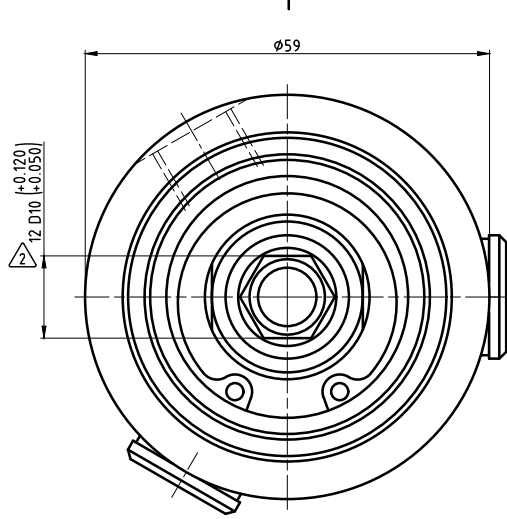
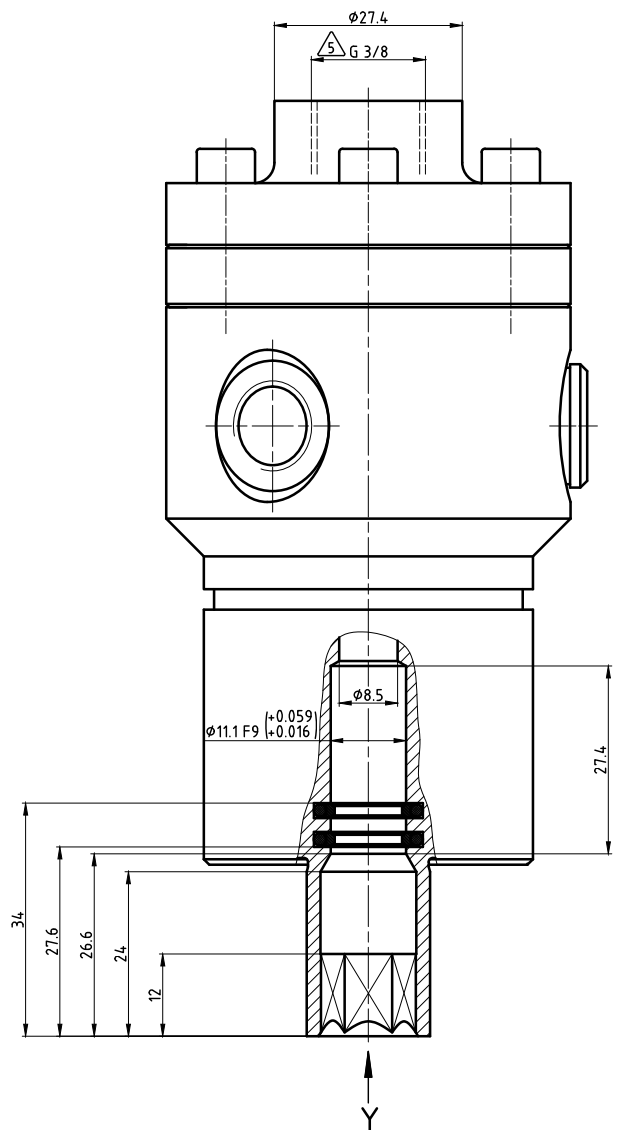
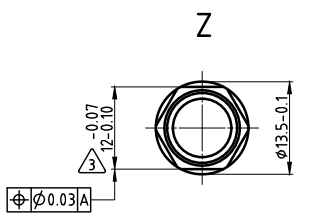
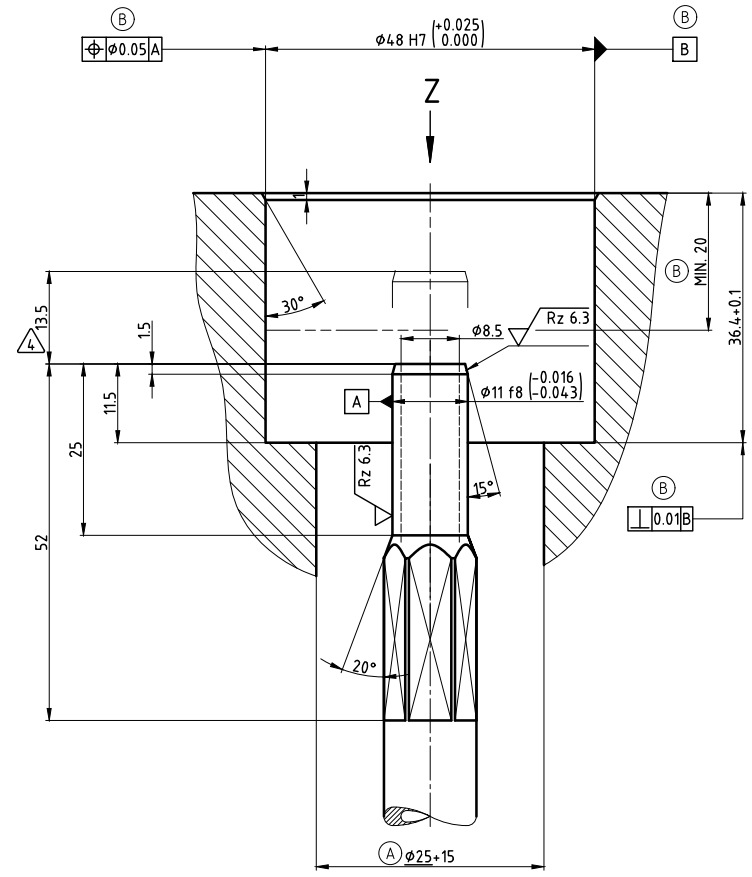


CONFIDENTIAL  
THIS DOCUMENT CONTAINS CONFIDENTIAL AND PROPRIETARY INFORMATION OF DEUBLIN COMPANY. USE IS LIMITED TO THE TERMS AND CONDITIONS CONTAINED IN YOUR AGREEMENT WITH DEUBLIN COMPANY. ALL RIGHTS RESERVED.

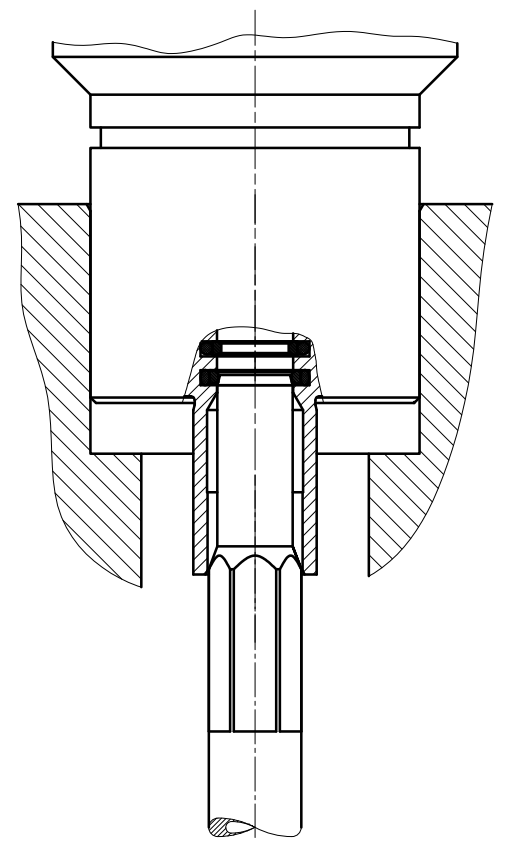
Ø4.8	g6	+0.025	+0.000
Ø4.8	H7	+0.025	+0.000
12	D10	+0.025	+0.000
Ø11.1	F9	+0.025	+0.000
Ø11	f8	+0.025	+0.000
Maß	Passung		

- NOTES:
- 1 - CONTACT DEUBLIN OR VISIT WWW.DEUBLIN.COM FOR INSTRUCTION MANUAL: 040-557
  - 2 - HEXAGON SOCKET
  - 3 - HEXAGON
  - 4 - MAX. STROKE
  - 5 - MEDIA PORT
  - 6 - 3X DRAIN PORT; 2X PLUGGED
  - 7 - IN CASE OF VERTICAL MOUNTED ROTATING UNION, THE DRAIN LINE SHOULD NOT BE POSITIONED HIGHER THAN THE DRAIN PORT. IN CASE OF HORIZONTAL MOUNTED ROTATING UNION, THE DRAIN LINE SHOULD BE POSITIONED DOWNWARDS IN 6 O'CLOCK POSITION.
  - 8 - AIR FUNCTIONS IN A CONTROLLED LEAKAGE CONDITION.

CUSTOMER INTERFACE



ROTATING UNION DURING ASSEMBLING TO CUSTOMER INTERFACE



OPERATING DATA				
MEDIA	COOLANT	MQL	AIR	
MEDIA PRESSURE	MAXIMUM 140 bar	10 bar	10 bar	
	MINIMUM 4 bar	3 bar	3 bar	
FLOW RATE	MAXIMUM 82 L/min	3810 NL/min	3810 NL/min	
	MINIMUM 6 L/min	360 NL/min	360 NL/min	
TEMPERATURE	MAXIMUM 70 °C	70 °C	70 °C	
	MINIMUM 5 °C	5 °C	5 °C	
MAXIMUM SPEED	24000 min <sup>-1</sup>	24000 min <sup>-1</sup>	24000 min <sup>-1</sup>	
AXIAL FORCE	9.48 N/bar			
DRY RUN	UNLIMITED			
RECOMMENDED FILTRATION	ISO 4406 CLASS 17/15/12			

**DEUBLIN**  
Engineered for Performance

PROJECTION: SCALE: 2:1

MATERIAL: INTERFACE CONTROL DRAWING

DATE: 21.03.2012 NAME: CW TITLE: DEUBLIN ROTATING UNION  
DRN: 21.03.2012 ENGR: 21.03.2012 FD DEUBLIN Drehdurchführung

NO. 1114-710-717 SHEET A1

UNLESS SPECIFICALLY TOLERANCED, ALL DIMENSIONS ARE CONSIDERED REFERENCE