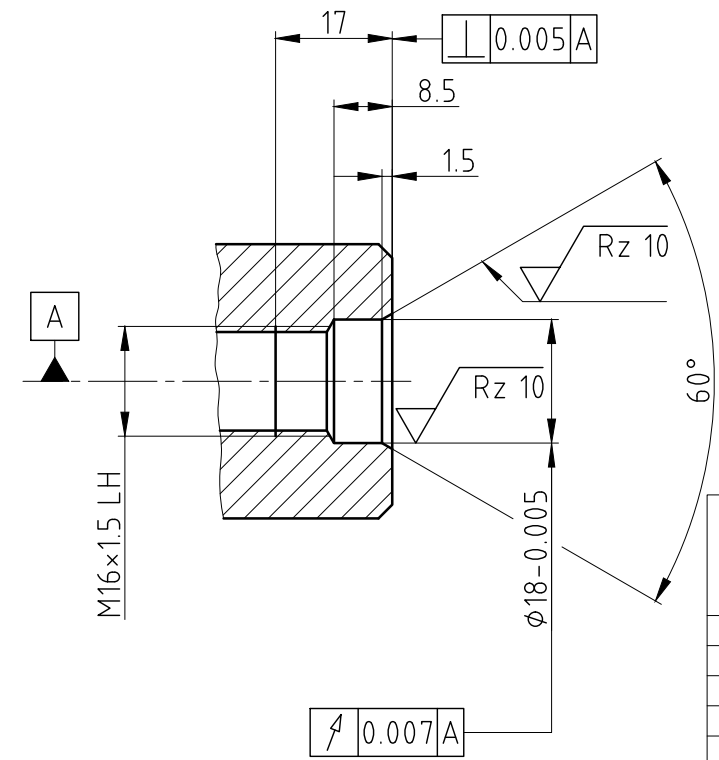
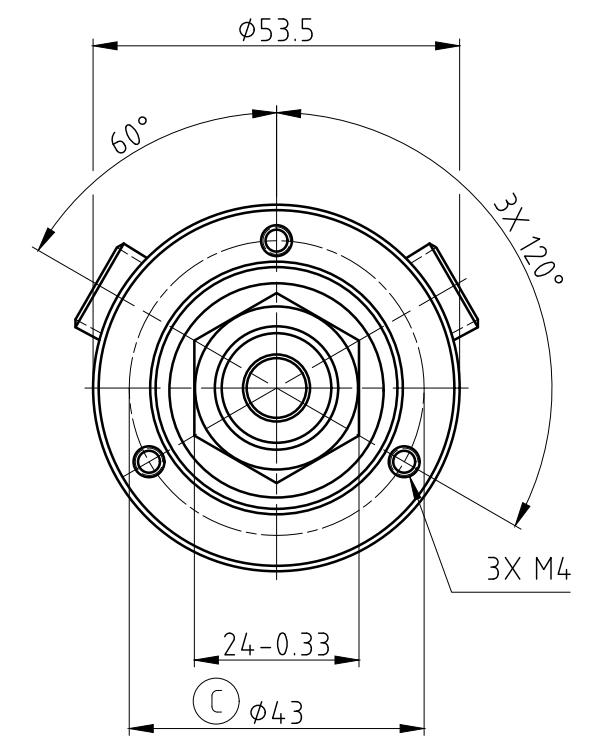
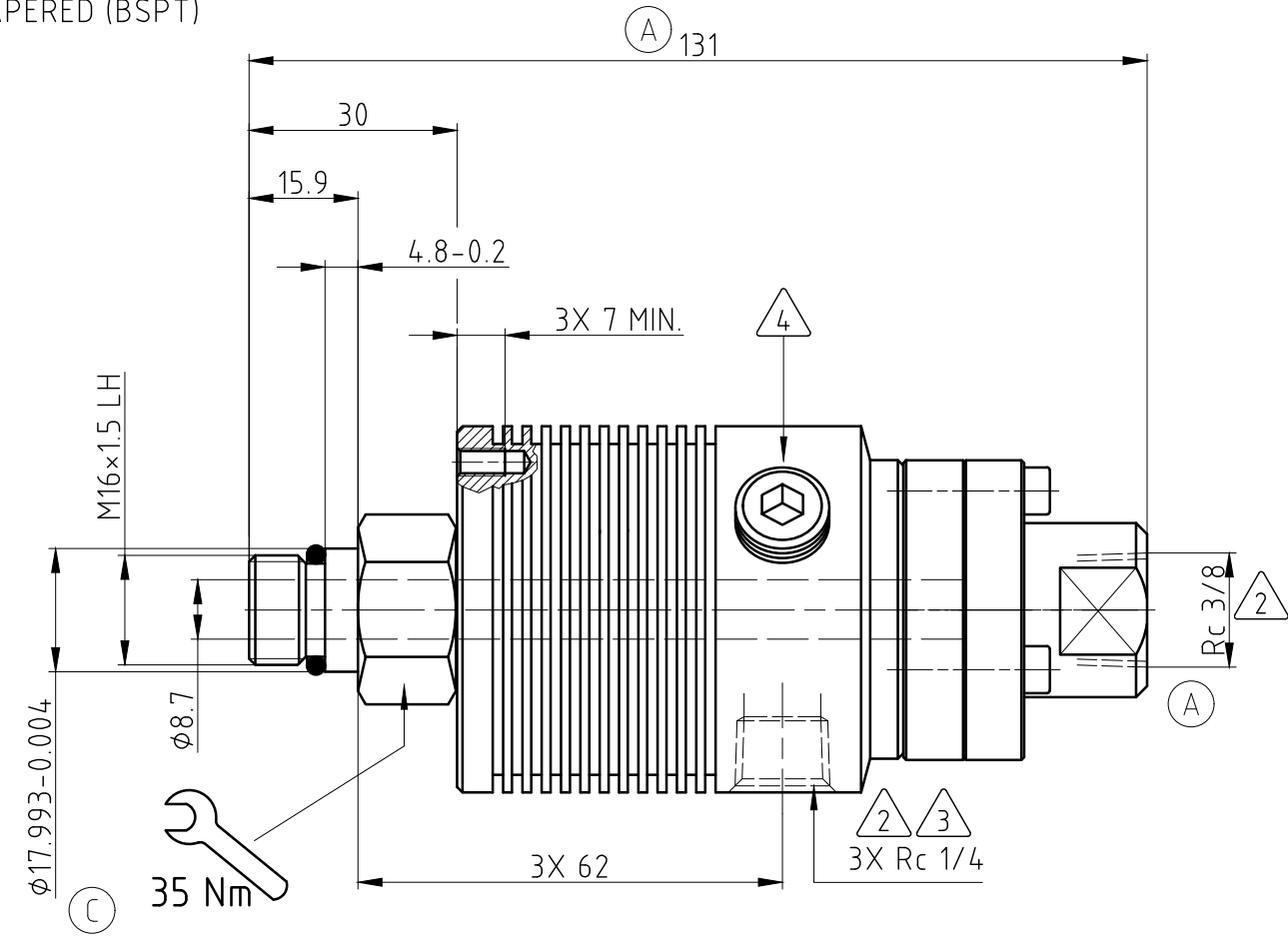
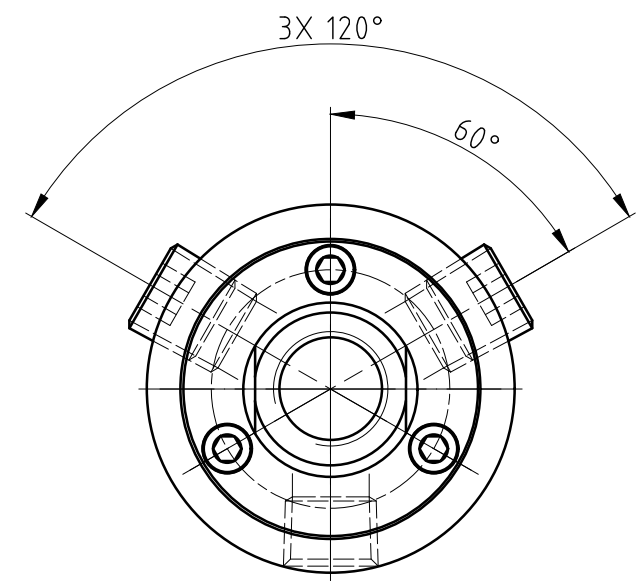


CONFIDENTIAL
 THIS DOCUMENT CONTAINS CONFIDENTIAL AND PROPRIETARY INFORMATION OF DEUBLIN COMPANY. COPYING, USE, TRANSMISSION, DISTRIBUTION, AND DISCLOSURE ARE SUBJECT TO THE TERMS AND CONDITIONS CONTAINED IN YOUR AGREEMENT WITH DEUBLIN COMPANY. ALL RIGHTS RESERVED.

NOTES:

- 1 - USE INSTRUCTION MANUAL 040-557 (B)
- 2 - DENOTATION FOR BRITISH STANDARD PIPE TAPERED (BSPT)
- 3 - DRAIN CONNECTION
- 4 - 2X R 1/4 PLUG



CUSTOMER'S INTERFACE

OPERATING DATA		
MEDIA	COOLANT	AIR/MQL
PRESSURE MAX.	105 bar	10 bar
SPEED MAX.	20000 min ⁻¹	20000 min ⁻¹
TEMPERATURE MAX.	70 °C	70 °C
FLOW RATE MAX.	82 l/min	2550 Nl/min
DRY RUN	UNLIMITED	

		PROJECTION:	SCALE: 1:1				
			MATERIAL: INTERFACE CONTROL DRAWING				
		DATE: 19.02.2010	NAME: CW				
		DATE: 19.02.2010	NAME: HJH				
D	WAS 22000 RPM	047095	05/18	CW	ENGR.	19.02.2010	
C	WAS 435, UPDATE PILOT	033883	07/15	MC	APPD.		
B	WAS 040-567	028580	08/14	FD			
A	WAS 90 DEGR. END CAP	014296	06/11	FD			
ISSUE	MODIFICATION	ECO	DATE	SIGN	UNLESS SPECIFICALLY TOLERANCED, ALL DIMENSIONS ARE CONSIDERED REFERENCE		
		NO. 1114-838-188		SHEET A3			