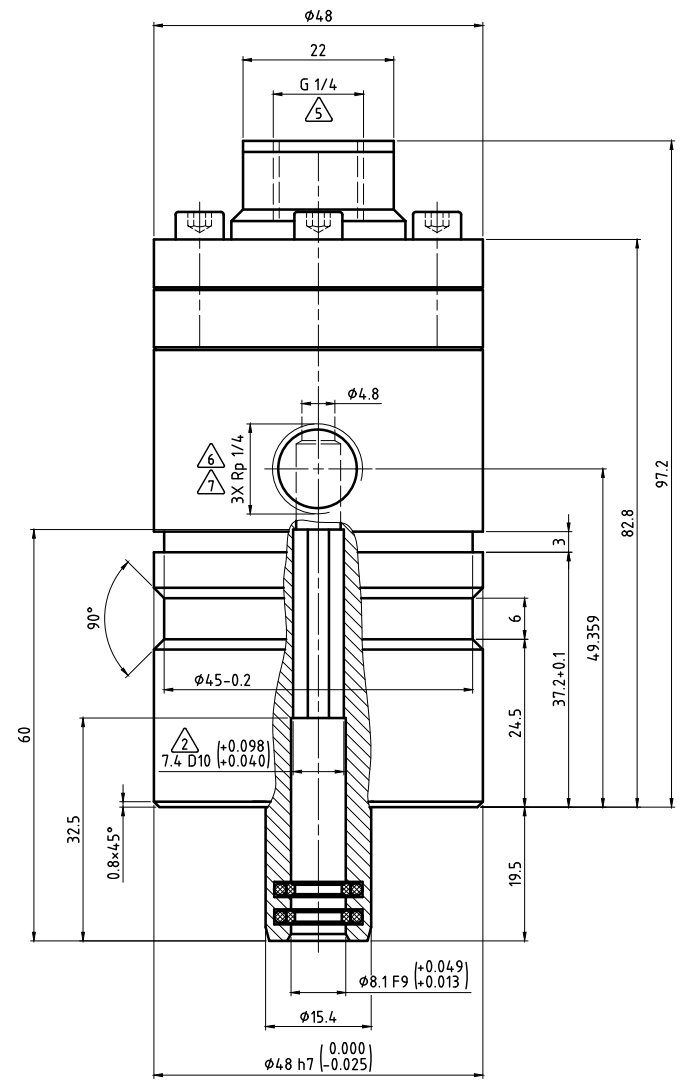


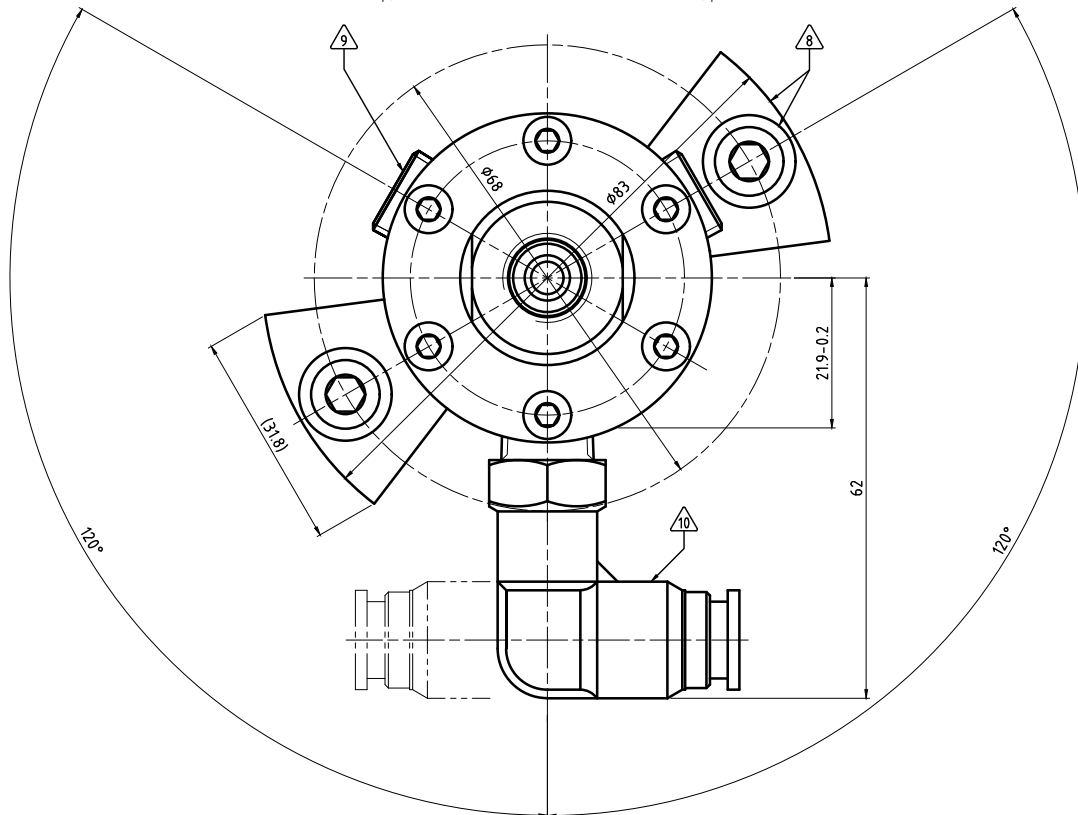
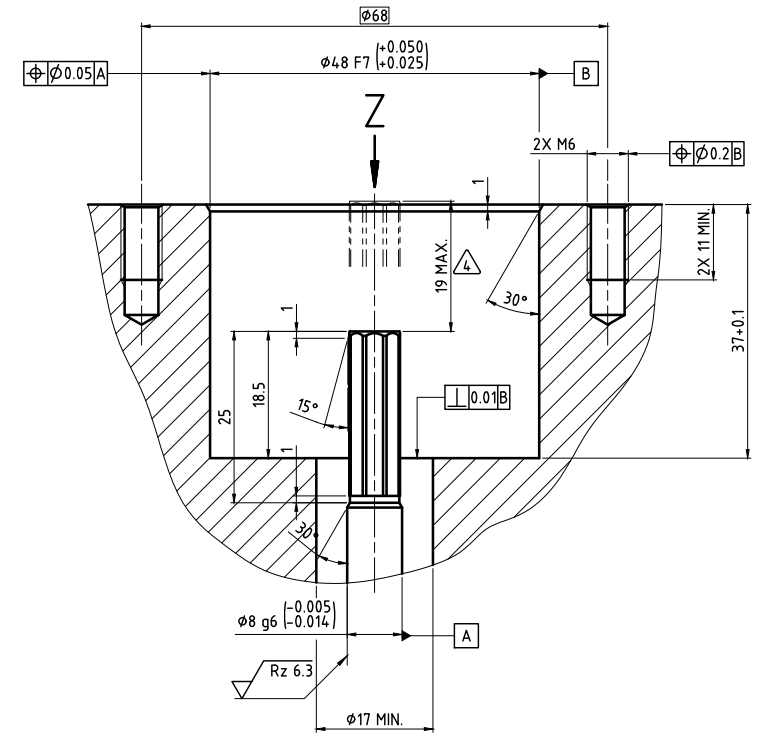
CONFIDENTIAL
THIS DOCUMENT CONTAINS CONFIDENTIAL AND PROPRIETARY INFORMATION OF DEUBLIN COMPANY. USE IS LIMITED TO THE TERMS AND CONDITIONS CONTAINED IN YOUR AGREEMENT WITH DEUBLIN COMPANY. ALL RIGHTS RESERVED.

Ø4.8	h7	+0.002	+0.002
Ø4.8	F7	+0.002	+0.002
Ø8.1	F9	+0.002	+0.002
Ø8	g6	+0.002	+0.002
7.4	f9	+0.002	+0.002
7.4	D10	+0.002	+0.002
Dimen.	Fit		

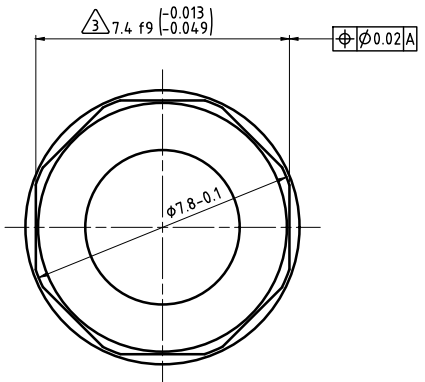
- NOTES:
- CONTACT DEUBLIN OR VISIT WWW.DEUBLIN.COM FOR INSTRUCTION MANUAL: 040-557
 - OCTAGON SOCKET
 - OCTAGON
 - MAX. STROKE
 - MEDIA PORT
 - DRAIN PORT
 - IN CASE OF VERTICAL MOUNTED ROTATING UNION, THE DRAIN LINE SHOULD NOT BE POSITIONED HIGHER THAN THE DRAIN PORT.
IN CASE OF HORIZONTAL MOUNTED ROTATING UNION, THE DRAIN LINE SHOULD BE POSITIONED DOWNWARDS IN 6 O'CLOCK POSITION.
 - 2X CLAMP & 2X SCREW M6x12 SUPPLIED BY DEUBLIN.
 - 2X PIPE PLUG SUPPLIED BY DEUBLIN.
 - ELBOW FITTING SUPPLIED BY DEUBLIN.



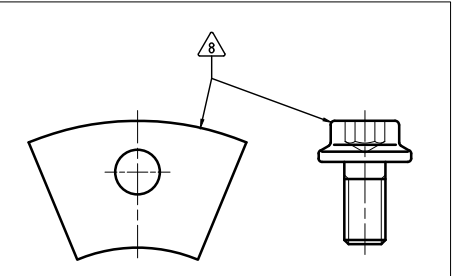
CUSTOMER INTERFACE



Z 10:1



OPERATING DATA		
MEDIA	COOLANT	MQL/AIR
PRESSURE	MAXIMUM	140 bar
	MINIMUM	3.0 bar (A) 0.5 bar
MAXIMUM SPEED	42000 min ⁻¹	42000 min ⁻¹
FLOW RATE	MAXIMUM	24.3 l/min 621 NI/min
	MINIMUM	-- l/min -- NI/min
TEMPERATURE	MAXIMUM	70 °C 70 °C
	MINIMUM	5 °C 5 °C
AXIAL FORCE	5.02 N/bar	
DRY RUN	UNLIMITED	



HYBRID

DEUBLIN
Engineered for Performance

PROJECTION:

SCALE: 2:1

DATE	NAME
DRN: 02/18/11	FD
ENGR: 02/18/11	CW
APPD:	

TITLE: DEUBLIN ROTATING UNION
DEUBLIN Drehdurchführung

NO. 1114-927-930

UNLESS SPECIFICALLY TOLERANCED, ALL DIMENSIONS ARE CONSIDERED REFERENCE

ISSUE/MODIFICATION ECD DATE SIGN

SHEET 1