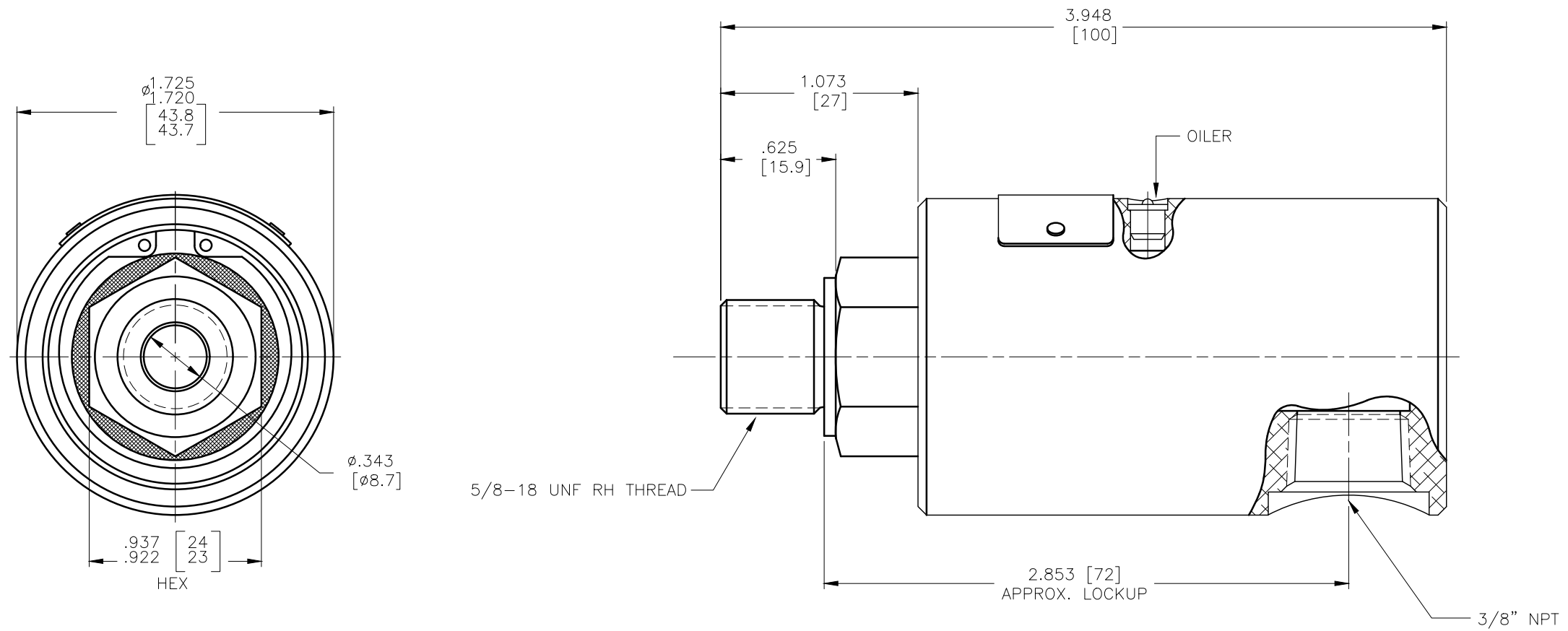


NOTES:

1 - WHEN ORDERING FROM DEUBLIN USE PART NUMBER: 1115-000-001.



OPERATING DATA		
MEDIA	AIR & HYDRAULIC	
MAX AIR PRESSURE	150 PSI	10 bar
MAX VACUUM	28" Hg	6.7 kPa
MAX HYD. PRESSURE	500 PSI	34 bar
MAX SPEED	3500 RPM	3500/min
MAX TEMPERATURE	250°F	121°C

CONFIDENTIAL  
 THIS DOCUMENT CONTAINS PROPRIETARY INFORMATION AND IS NOT TO BE TRANSMITTED, REPRODUCED, USED OR DISCLOSED TO ANYONE WITHOUT THE WRITTEN PERMISSION OF THE DEUBLIN COMPANY.

EQUIPMENT REF:				SCALE	2:1	DWG SIZE	C
ASSY/TEST FIXTURES REQUIRED:				DRN	RM	04/22/03	
UNLESS OTHERWISE SPECIFIED TOLERANCES ±.010. DIMENSIONS IN [ ] ARE IN MILLIMETERS.				ENGR	RC	04/22/03	
A ADDED FAI LAYER 000708 04/08 JK				APPD	RC	04/22/03	
LET.	REVISION	ECO	DATE	SIGN	TITLE: INTERFACE CONTROL DRAWING FOR UNION 1115-000-001 NO. 1115-000-001-IC C.A.D DRAWING		

