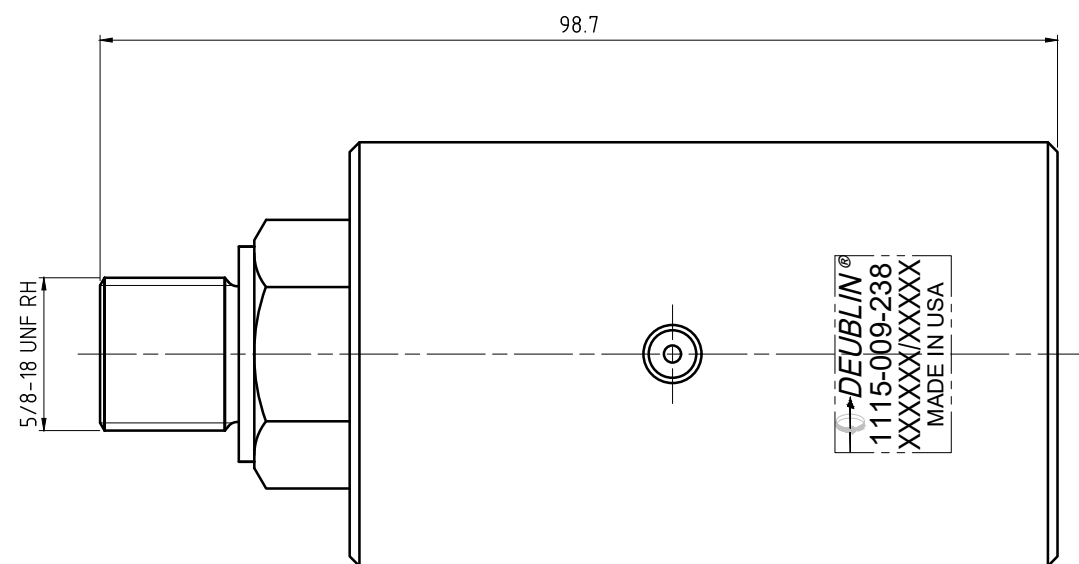
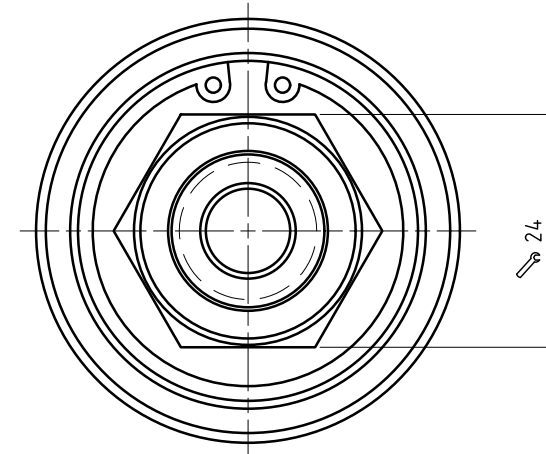
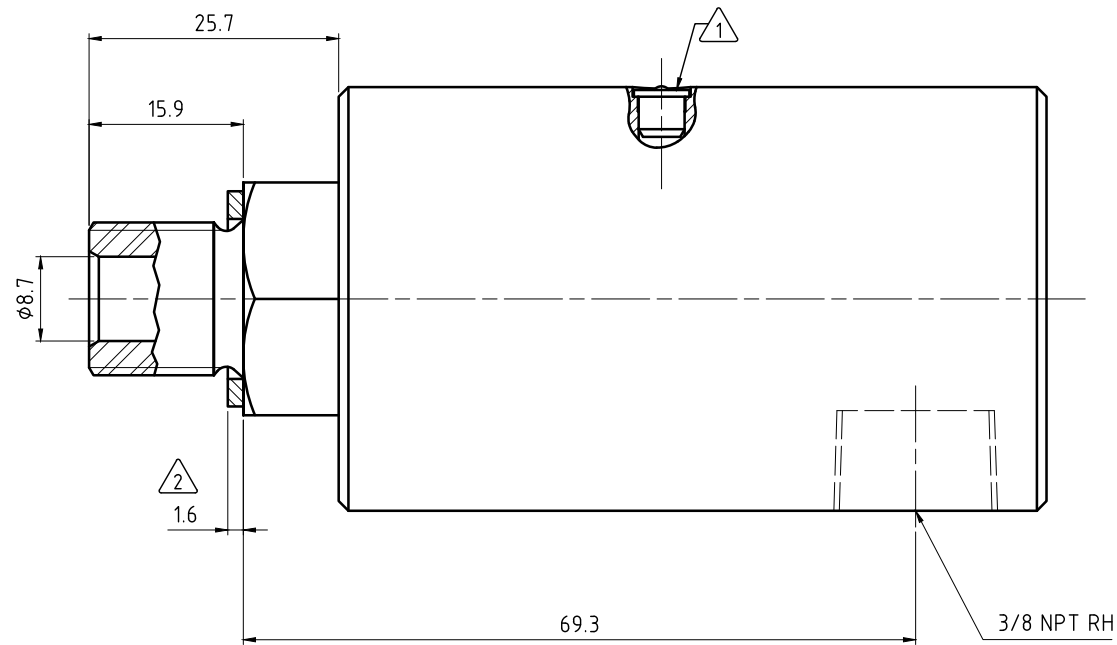
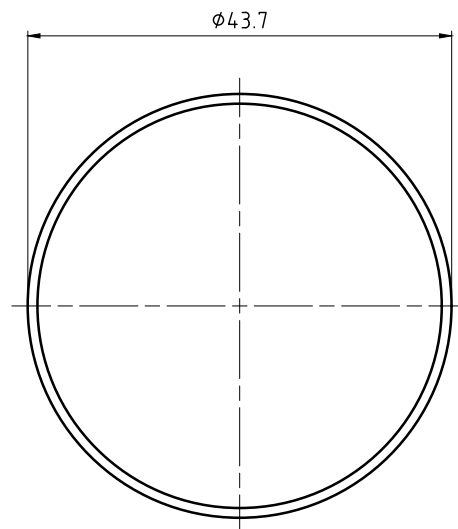


CONFIDENTIAL
 THIS DOCUMENT CONTAINS CONFIDENTIAL AND PROPRIETARY INFORMATION OF DEUBLIN COMPANY. COPYING, USE, TRANSMISSION, DISTRIBUTION, AND DISCLOSURE ARE SUBJECT TO THE TERMS AND CONDITIONS CONTAINED IN YOUR AGREEMENT WITH DEUBLIN COMPANY. ALL RIGHTS RESERVED.

NOTES:

- ① - BUTTON OILER.
- ② - GASKET THICKNESS.



OPERATING DATA		
MEDIA	AIR & HYDRAULIC	
MAX AIR PRESSURE	150 PSI	10 bar
MAX HYD. PRESSURE	500 PSI	34 bar
MAX SPEED	3500 RPM	3500/min
MAX TEMPERATURE	250°F	121°C

		PROJECTION:	SCALE: 2:1
			MATERIAL: INTERFACE CONTROL DRAWING
		DATE: 07/24/19	NAME: N. Reyna
		ENGR: 07/24/19	T. Wilson
		APPD:	
		TITLE: DEUBLIN UNION	
		NO. 1115-009-238	
		SHEET A2	
A	REVISED OPERATING DATA 053000	07/19	NR
ISSUE	MODIFICATION	ECO	DATE
UNLESS SPECIFICALLY TOLERANCED, ALL DIMENSIONS ARE CONSIDERED REFERENCE			