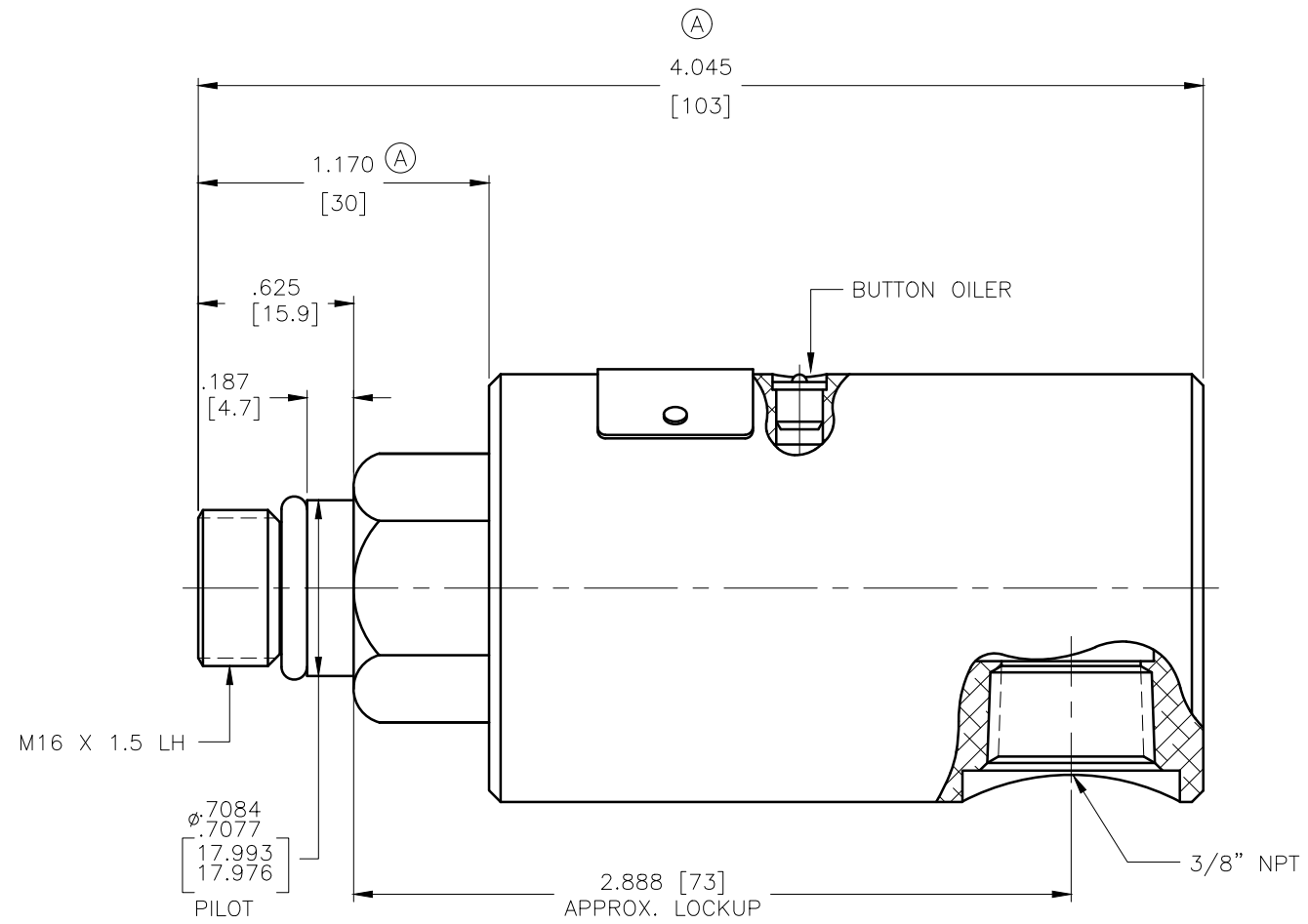
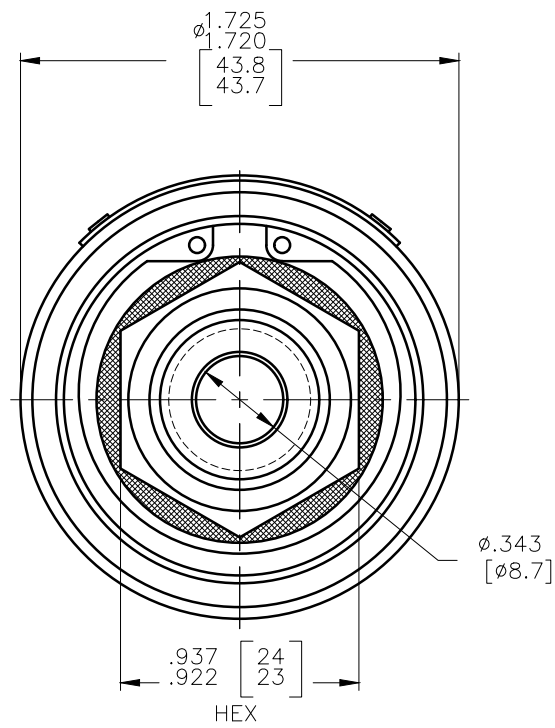


NOTES:

1 - WHEN ORDERING FROM DEUBLIN USE PART NUMBER: 1115-009-556.

DWG. NO.  
1115-009-556-IC



OPERATING DATA		
MEDIA	AIR & HYDRAULIC	
MAX AIR PRESSURE	150 PSI	10 bar
MAX HYD. PRESSURE	500 PSI	34 bar
MAX SPEED	5000 RPM	5000/min
MAX TEMPERATURE	250°F	121°C

CONFIDENTIAL  
THIS DOCUMENT CONTAINS CONFIDENTIAL AND PROPRIETARY INFORMATION OF DEUBLIN COMPANY. COPYING, USE, TRANSMISSION, DISTRIBUTION, AND DISCLOSURE ARE SUBJECT TO THE TERMS AND CONDITIONS CONTAINED IN YOUR AGREEMENT WITH DEUBLIN COMPANY. ALL RIGHTS RESERVED.

**DEUBLIN** COMPANY  
WAUKEGAN, ILLINOIS, U.S.A.

TITLE: INTERFACE CONTROL  
DRAWING FOR DEUBLIN  
UNION 1115-009-556

DWG. NO. 1115-009-556  
C.A.D. DRAWING

SCALE	2:1	DWG. SIZE	C
DRN	RM	02/17/04	
ENGR	ARS	02/17/04	
APPD	ARS	02/17/04	
PART NO. 1115-009-556			
CUSTOMER			
B	5000 RPM WAS 3500 RPM	001100 02/08	NR
A	4.045 WAS 3.893, 1.170 WAS 1.018	EGR 03/05	RM
LET.	REVISION	ECO	DATE

UNLESS SPECIFICALLY TOLERANCED, ALL DIMENSIONS ARE REFERENCE  
DIMENSIONS IN [ ] ARE IN MILLIMETERS.