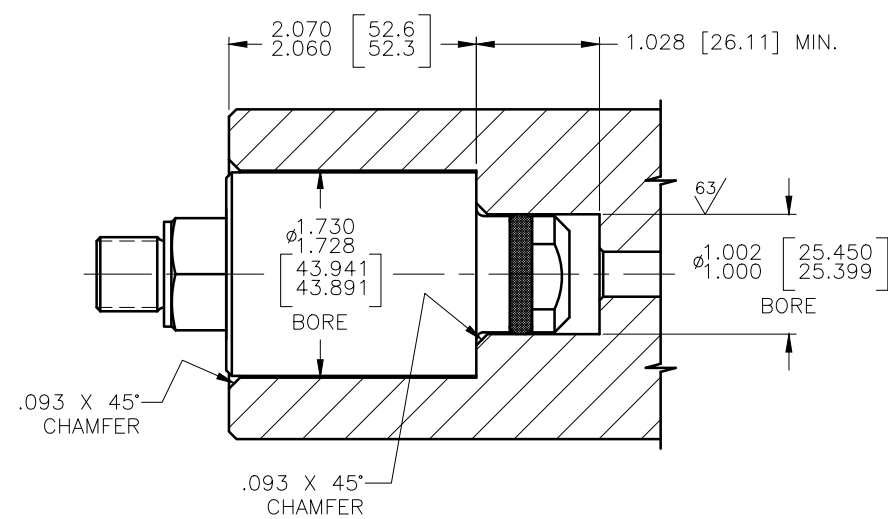
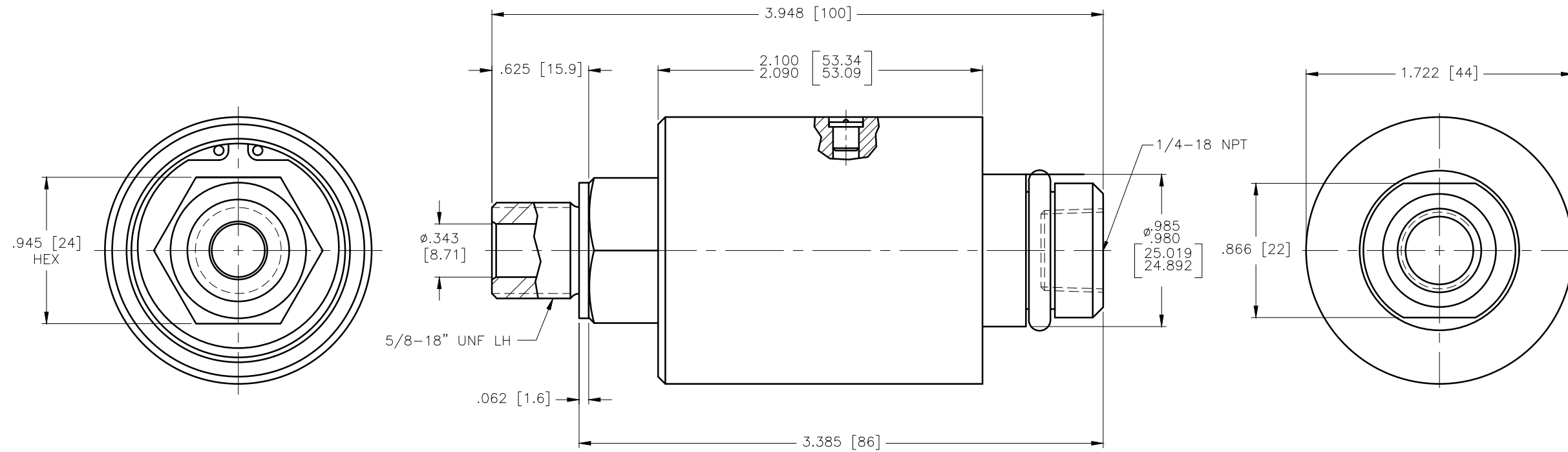


CONFIDENTIAL
 THIS DOCUMENT CONTAINS CONFIDENTIAL AND PROPRIETARY INFORMATION OF DEUBLIN COMPANY. COPYING, USE, TRANSMISSION, DISTRIBUTION, AND DISCLOSURE ARE SUBJECT TO THE TERMS AND CONDITIONS CONTAINED IN YOUR AGREEMENT WITH DEUBLIN COMPANY. ALL RIGHTS RESERVED.



OPERATING DATA		
MEDIA	AIR & HYDRAULIC	
MAX AIR PRESSURE	150 PSI	10 bar
MAX VACUUM	28" Hg	6.7 kPa
MAX HYD. PRESSURE	500 PSI	34 bar
MAX SPEED	3500 RPM	3500/min
MAX TEMPERATURE	250°F	121°C

CUSTOMERS SHAFT MACHINING DETAIL

SCALE	2:1	DWG SIZE	
DRN	NR	10/11/07	
ENGR	TW	10/11/07	
APPD	TW	10/11/07	
PART NO.	1115-130-017		
CUSTOMER			
LET.	REVISION	ECO	DATE SIGN
A	UPDATED HOUSING GEOMETRY	015570	10/11 NR

UNLESS SPECIFICALLY TOLERANCED, ALL DIMENSIONS ARE REFERENCE
 DIMENSIONS IN [] ARE IN MILLIMETERS.

DEUBLIN COMPANY
 WAUKEGAN, ILLINOIS, U.S.A.

TITLE: INTERFACE CONTROL
 DRAWING OF DEUBLIN
 UNION 1115-130-017

DWG NO. 1115-130-017
 C.A.D. DRAWING