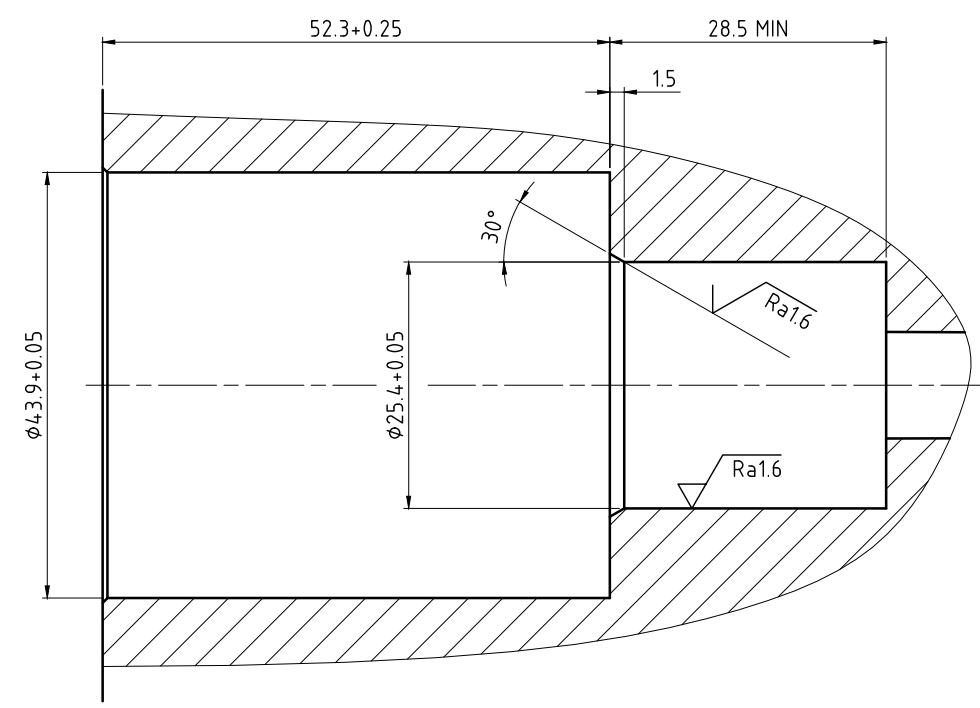
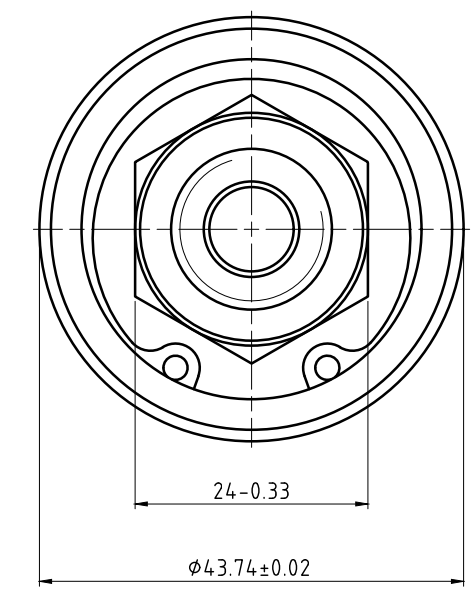
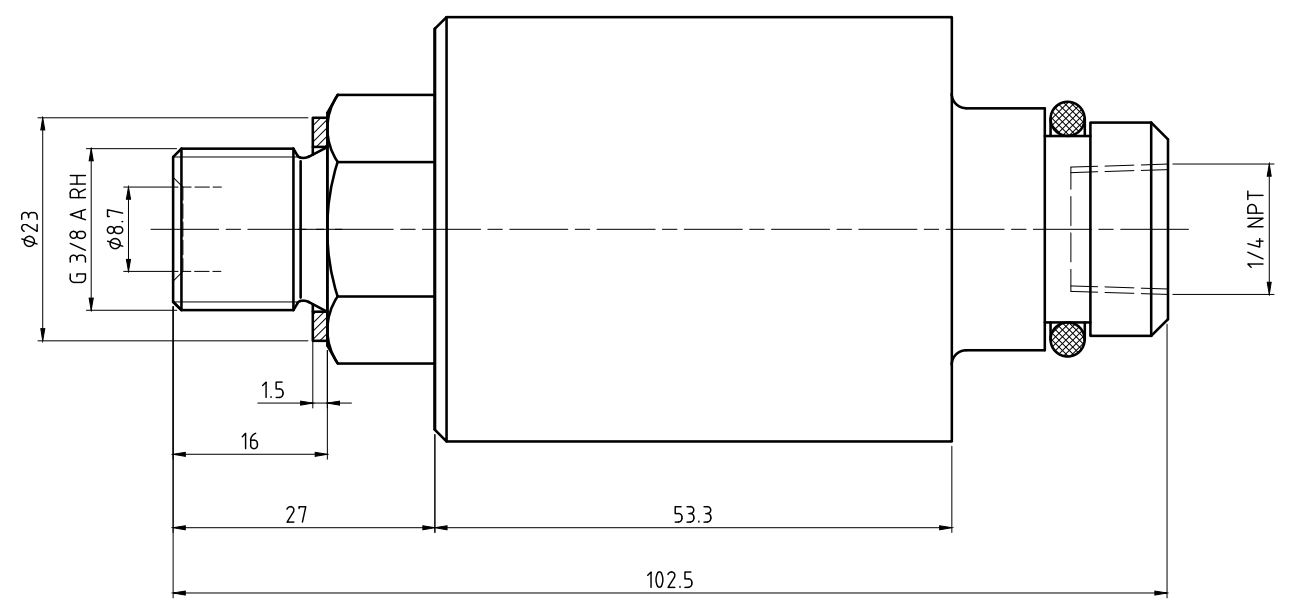
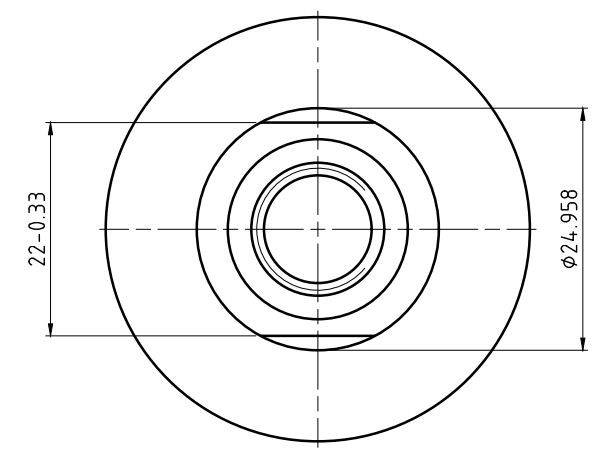


CONFIDENTIAL  
 THIS DOCUMENT CONTAINS CONFIDENTIAL AND PROPRIETARY  
 INFORMATION OF DEUBLIN COMPANY. COPYING, USE,  
 TRANSMISSION, DISTRIBUTION, AND DISCLOSURE ARE SUBJECT  
 TO THE TERMS AND CONDITIONS CONTAINED IN YOUR  
 AGREEMENT WITH DEUBLIN COMPANY. ALL RIGHTS RESERVED.

NOTES:  
 1 - USE INSTRUCTION MANUAL 040-555



CUSTOMER'S SHAFT END

OPERATING DATA			
MEDIA	HYDRAULIK OIL	COMPRESSED AIR	VACUUM
PRESSURE MAX.	35 bar	10 bar	6.7 kPa
SPEED MAX.	3500 min <sup>-1</sup>	3500 min <sup>-1</sup>	3500 min <sup>-1</sup>
TEMPERATURE MAX.	120 °C	120 °C	120 °C
DRY RUN (WITHOUT ANY MEDIA)	NO		



PROJECTION:	
DATE	NAME
DRN. 02/14/11	HJH
ENGR. 02/14/11	CW
APPD.	

SCALE: 2:1	MATERIAL: INTERFACE CONTROL DRAWING
TITLE: DEUBLIN UNION	
NO. 1115-130-205	SHEET A3

B	UPDATED HOUSING	017396	03/12	NR
A	UPDATE TO MS	013030	15.02.11	HJH
ISSUE	MODIFICATION	ECO	DATE	SIGN

UNLESS SPECIFICALLY TOLERANCED, ALL DIMENSIONS ARE CONSIDERED REFERENCE