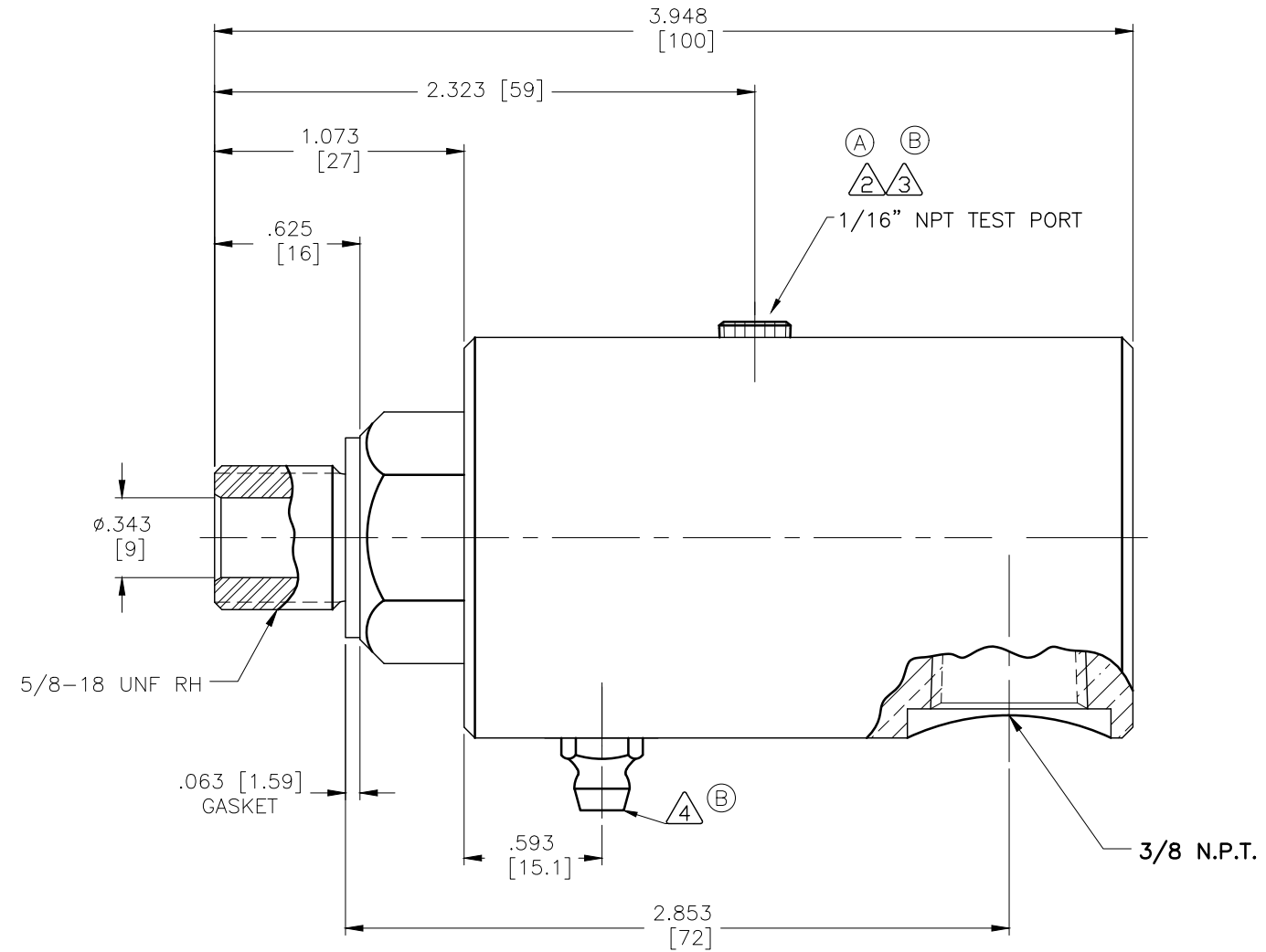
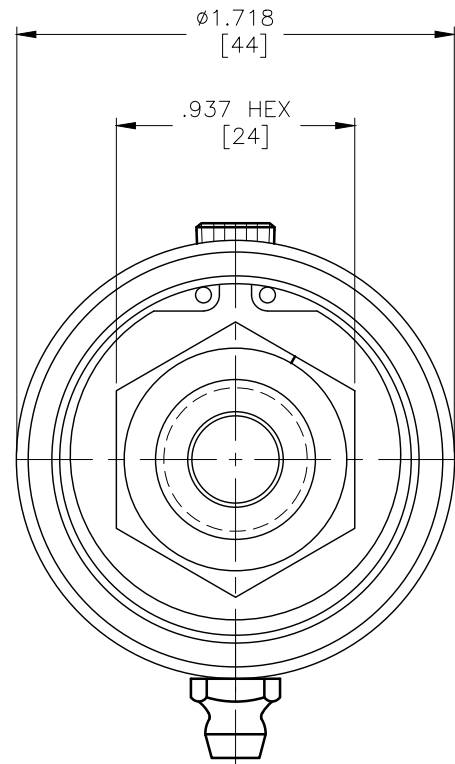


NOTES:

- 1 - WHEN ORDERING FROM DEUBLIN USE PART NUMBER: 1115-157-238.
- 2 - CUSTOMER TO PERFORM AIR TEST USING 1/16" NPT HOLE ACCORDING TO TEST INSTRUCTION 040-100. (A)
- 3 - ASSEMBLE PLUG AND TORQUE TO 70 in-lbs AFTER TESTING. (B)
- 4 - ASSEMBLY FITTING AND TORQUE TO 35-40 in-lbs. (B)



**OPERATING DATA:**

AIR-VACUUM-HYDRAULIC SERVICE  
 150 P.S.I. (10bar) MAX.AIR SERVICE  
 28"Hg (6,7 kPa) MAX.VACUUM SERVICE  
 500 P.S.I. (33,3bar) MAX.HYDRAULIC SERVICE  
 1000 R.P.M. (1000/MIN) MAX.SPEED  
 250°F (121°C) MAX.TEMPERATURE

CONFIDENTIAL  
 THIS DOCUMENT CONTAINS CONFIDENTIAL AND PROPRIETARY INFORMATION OF DEUBLIN COMPANY. COPYING, USE, TRANSMISSION, DISTRIBUTION, AND DISCLOSURE ARE SUBJECT TO THE TERMS AND CONDITIONS CONTAINED IN YOUR AGREEMENT WITH DEUBLIN COMPANY. ALL RIGHTS RESERVED.

SCALE	2:1	DWG SIZE	C
DRN	RM	12/07/06	
ENGR	ARS	12/07/06	
APPD	ARS	12/07/06	
PART NO. 1115-157-238			
CUSTOMER			
B	ADD INSTALL PLUG AND TORQUE AFTER TESTING	025218	10/13 GM
A	ADD 1/16" NPT PLUG & INSTRUCTION	003712	10/08 LG
LET.	REVISION	ECO	DATE SIGN

UNLESS SPECIFICALLY TOLERANCED, ALL DIMENSIONS ARE REFERENCE  
 DIMENSIONS IN [ ] ARE IN MILLIMETERS.

**DEUBLIN** COMPANY  
 WAUKEGAN, ILLINOIS, U.S.A.

TITLE: INTERFACE CONTROL  
 DRAWING FOR DEUBLIN  
 UNION 1115-157-238

DWG. NO. 1115-157-238-IC  
 C.A.D DRAWING