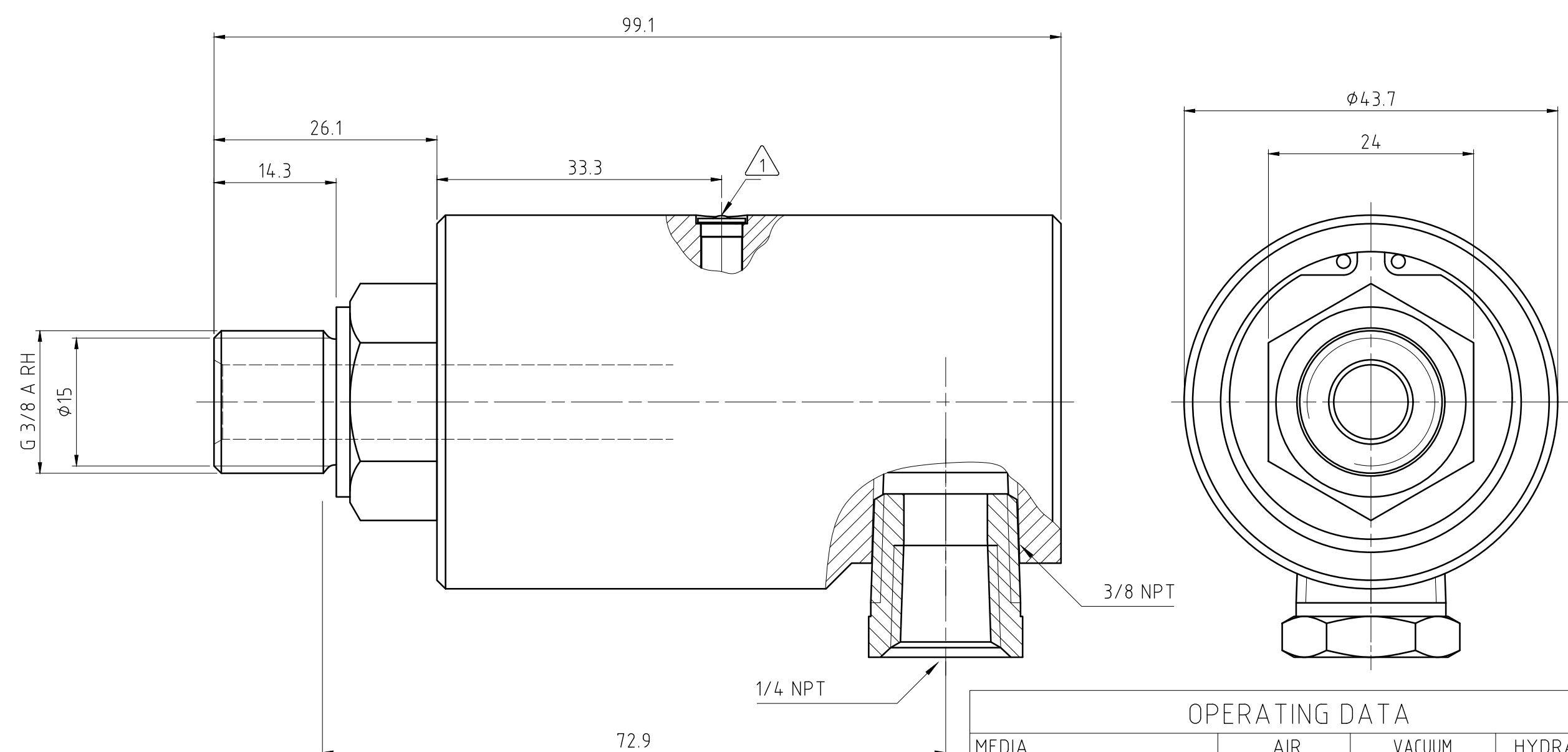


CONFIDENTIAL  
 THIS DOCUMENT CONTAINS CONFIDENTIAL AND PROPRIETARY  
 INFORMATION OF DEUBLIN COMPANY. COPYING, USE,  
 TRANSMISSION, DISTRIBUTION, AND DISCLOSURE ARE SUBJECT  
 TO THE TERMS AND CONDITIONS CONTAINED IN YOUR  
 AGREEMENT WITH DEUBLIN COMPANY. ALL RIGHTS RESERVED.

NOTES:

① - BALL VALVE OILER.



OPERATING DATA			
MEDIA	AIR	VACUUM	HYDRAULIC. OIL
PRESSURE MAX.	10 bar	6.7 kPa	35 bar
SPEED MAX.	3500 min <sup>-1</sup>		
TEMPERATURE MAX.	120 °C		
DRY RUN (WITHOUT ANY MEDIA)	NO		

		PROJECTION: 	SCALE: 2:1 MATERIAL: INTERFACE CONTROL DRAWING												
<table border="1"> <tr> <td>DRN.</td> <td>17.07.2012</td> <td>NAME</td> <td>AF</td> </tr> <tr> <td>ENGR.</td> <td>17.07.2012</td> <td></td> <td></td> </tr> <tr> <td>APPD.</td> <td></td> <td></td> <td></td> </tr> </table>		DRN.	17.07.2012	NAME	AF	ENGR.	17.07.2012			APPD.				TITLE: <b>DEUBLIN ROTATING UNION</b> <b>DEUBLIN Drehdurchführung</b>	
DRN.	17.07.2012	NAME	AF												
ENGR.	17.07.2012														
APPD.															
UNLESS SPECIFICALLY TOLERANCED, ALL DIMENSIONS ARE CONSIDERED REFERENCE		NO. <b>1115-179-205</b>	SHEET <b>A3</b>												
ISSUE	MODIFICATION	ECO	DATE												
			SIGN												