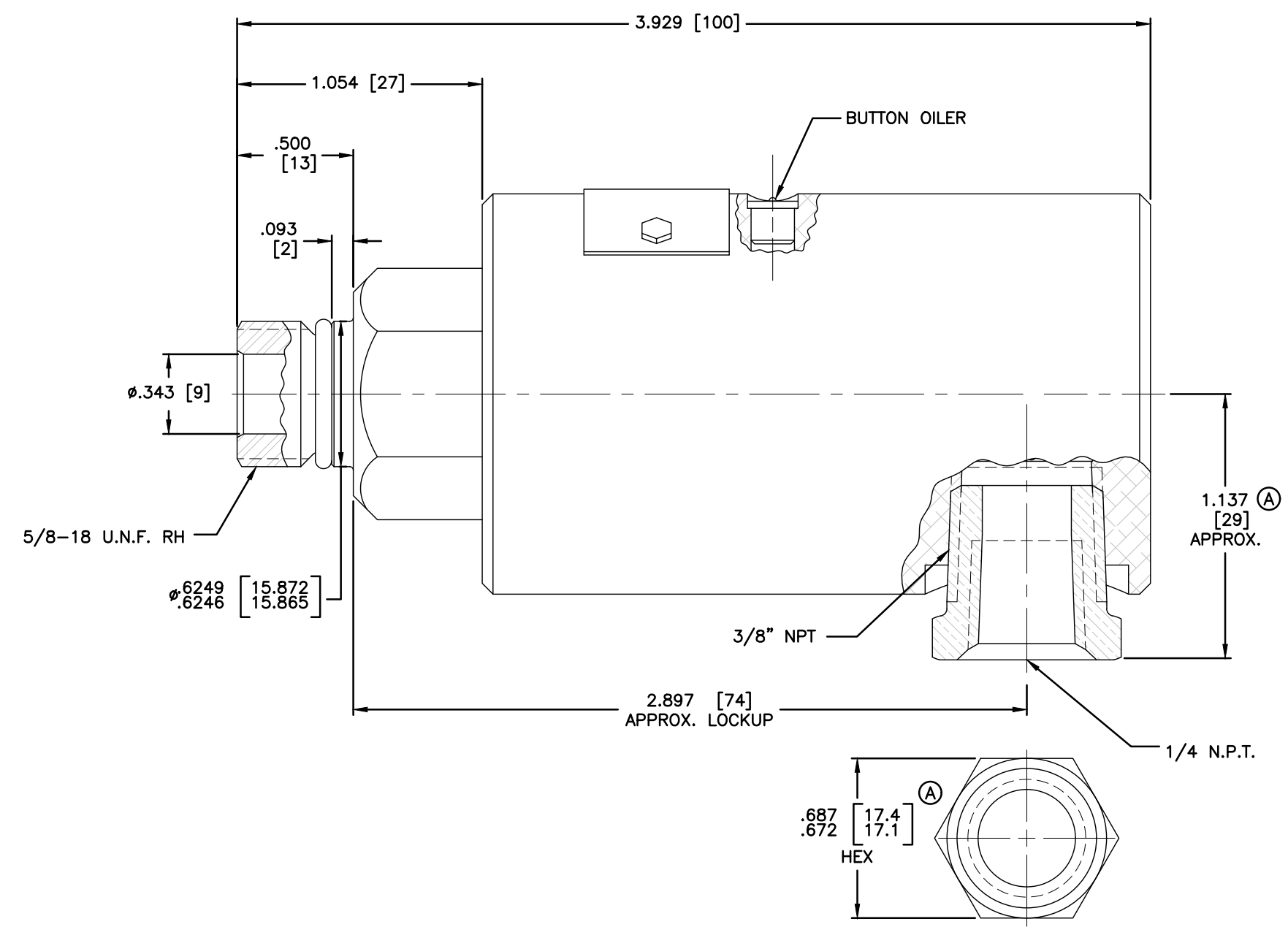
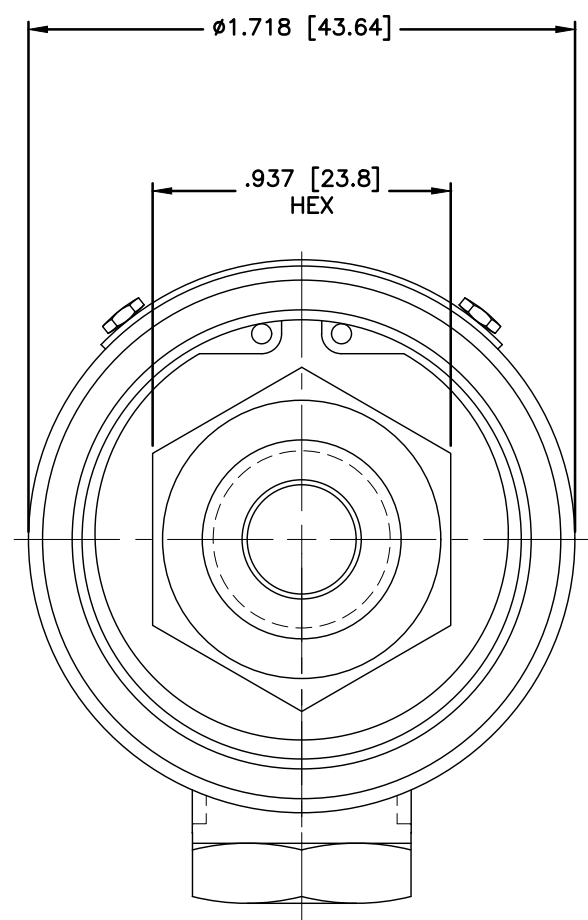


NOTES:

1 - WHEN ORDERING FROM DEUBLIN USE PART NUMBER: 1115-179-345.



OPERATING DATA		
MEDIA	AIR	
MAX AIR PRESSURE	150 PSI	10 bar
MAX SPEED	3500 RPM	3500/min
MAX TEMPERATURE	250°F	121°C

CONFIDENTIAL  
 THIS DOCUMENT CONTAINS PROPRIETARY INFORMATION AND IS NOT TO BE TRANSMITTED, REPRODUCED, USED OR DISCLOSED TO ANYONE WITHOUT THE WRITTEN PERMISSION OF THE DEUBLIN COMPANY.



LET.	REVISION	ECO	DATE	SIGN
A	ADDED VIEW OF HEX ADAPTER AND DIMENSIONS		10/03	LG

EQUIPMENT REF:	
ASSY/TEST FIXTURES REQUIRED:	

SCALE	2.5:1	DWG SIZE	C
DRN	RM	DATE	10/06/03
ENGR	ARS	DATE	10/06/03
APPD	ARS	DATE	10/06/03

TITLE: INTERFACE CONTROL  
 DRAWING FOR DEUBLIN UNION 1115-179-345  
 NO. 1115-179-345-IC  
 C.A.D. DRAWING

UNLESS OTHERWISE SPECIFIED TOLERANCES  $\pm .010$ . DIMENSIONS IN [ ] ARE IN MILLIMETERS.