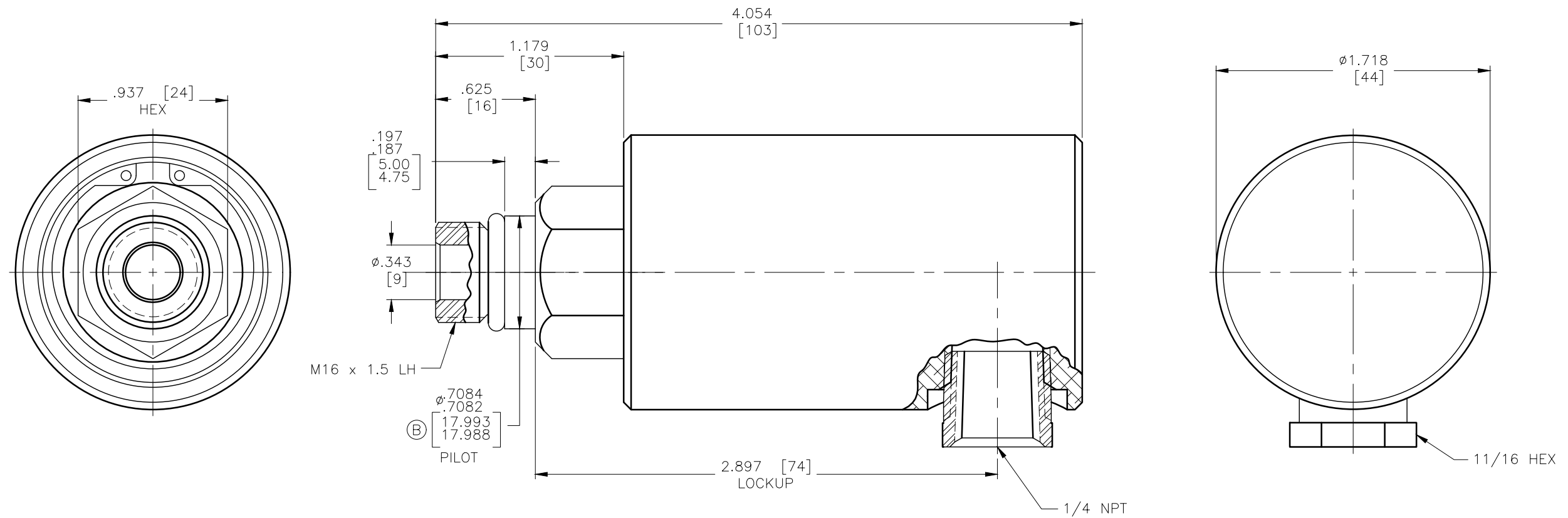


NOTES:

1 - WHEN ORDERING FROM DEUBLIN USE PART NUMBER: 1115-181-556.

DWG. NO.

1115-181-556-IC



OPERATING DATA		
MEDIA	AIR	
MAX AIR PRESSURE	150 PSI	10 bar
MAX SPEED	5000 RPM	5000/min
MAX TEMPERATURE	250°F	121°C

CONFIDENTIAL  
 THIS DOCUMENT CONTAINS CONFIDENTIAL AND PROPRIETARY INFORMATION OF DEUBLIN COMPANY. COPYING, USE, TRANSMISSION, DISTRIBUTION, AND DISCLOSURE ARE SUBJECT TO THE TERMS AND CONDITIONS CONTAINED IN YOUR AGREEMENT WITH DEUBLIN COMPANY. ALL RIGHTS RESERVED.

SCALE	2:1	DWG SIZE	C
DRN	RM	01/14/05	
ENGR	ARS	01/14/05	
APPD	ARS	01/14/05	
PART NO. 1115-181-556			
CUSTOMER			
B	PILOT WAS 17.993-0.017	00231	01/08 AL
LET.	REVISION	ECO	DATE SIGN

UNLESS SPECIFICALLY TOLERANCED, ALL DIMENSIONS ARE REFERENCE  
 DIMENSIONS IN [ ] ARE IN MILLIMETERS.

**DEUBLIN** COMPANY  
 WAUKEGAN, ILLINOIS, U.S.A.

TITLE: INTERFACE CONTROL  
 DRAWING FOR DEUBLIN  
 UNION 1115-181-556

DWG. NO. 1115-181-556-IC  
 C.A.D. DRAWING