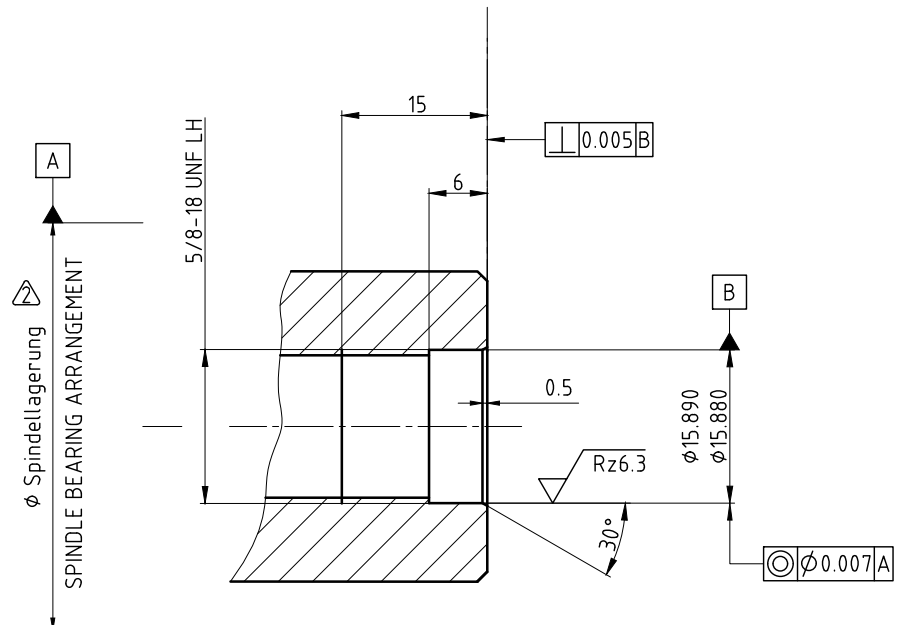
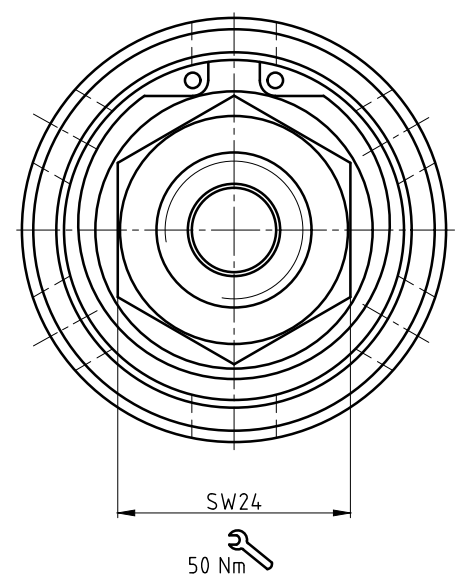
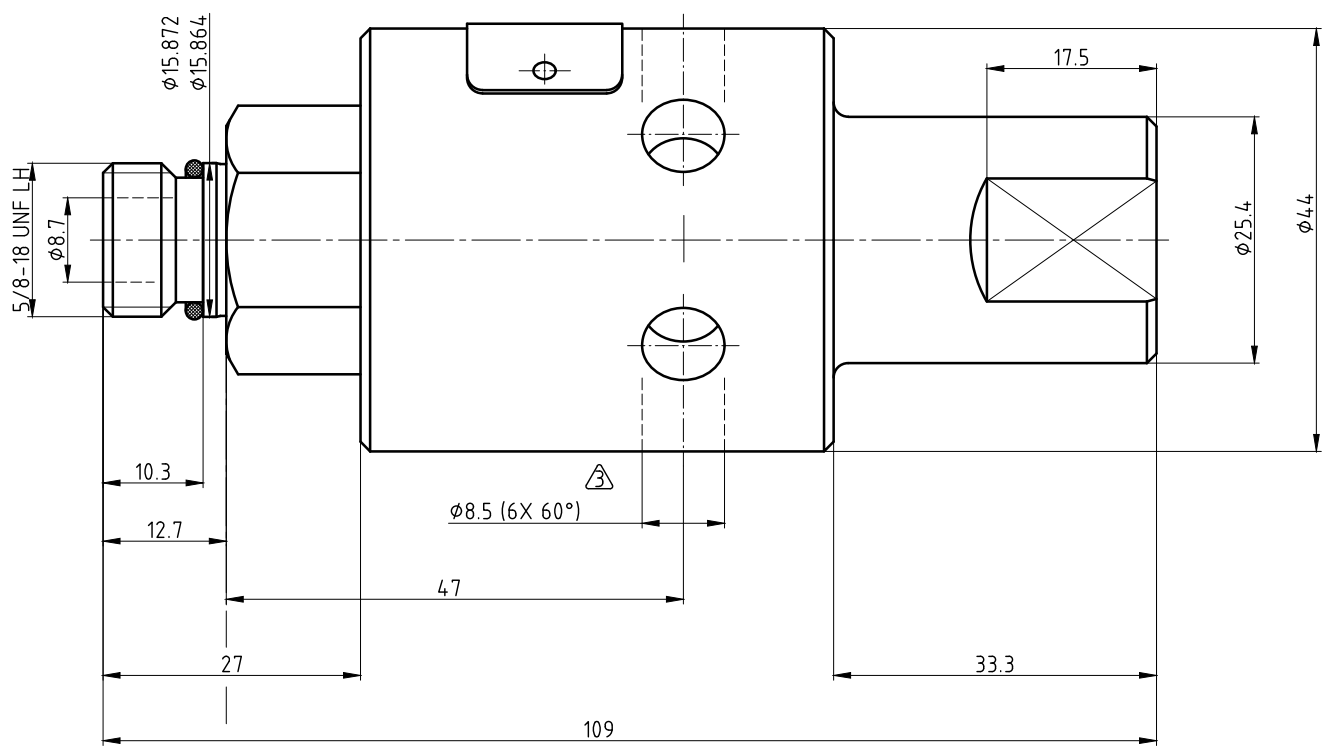
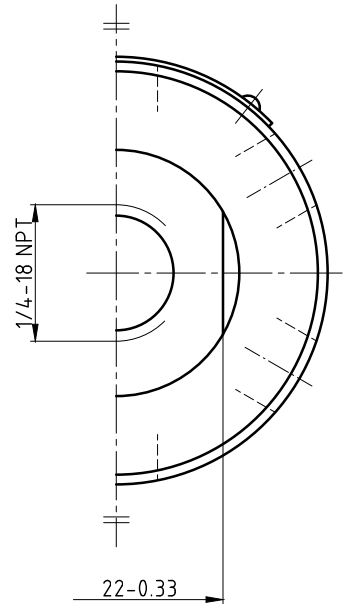




NOTES:

- 1 - USE INSTRUCTION MANUAL 40-554
-  - SPINDLE BEARING ARRANGEMENT
-  - DRAIN HOLES



CUSTOMER'S SPINDLE END

OPERATING DATA		
MEDIA	COOLANT	MLQ
PRESSURE MAX.	70 bar	10 bar
SPEED MAX.	12000 min ⁻¹	12000 min ⁻¹
TEMPERATURE MAX.	70 °C	70 °C
FLOW RATE MAX.	82 l/min	2500 NI/min
DRY RUN	NO	

 DEUBLIN GmbH D-65719 HOFHEIM-WALLAU, GERMANY	PROJECTION: 	SCALE: 2:1 Z:\UNIONS\
	DATE: 12.02.2008 ENGR: 12.02.2008 APPD:	NAME: HJH CW
TITLE: DEUBLIN ROTATING UNION DEUBLIN Drehdurchführung		NO. 1116-048-051
ISSUE MODIFICATION ECO DATE SIGN	UNLESS SPECIFICALLY TOLERANCED, ALL DIMENSIONS ARE CONSIDERED REFERENCE	