


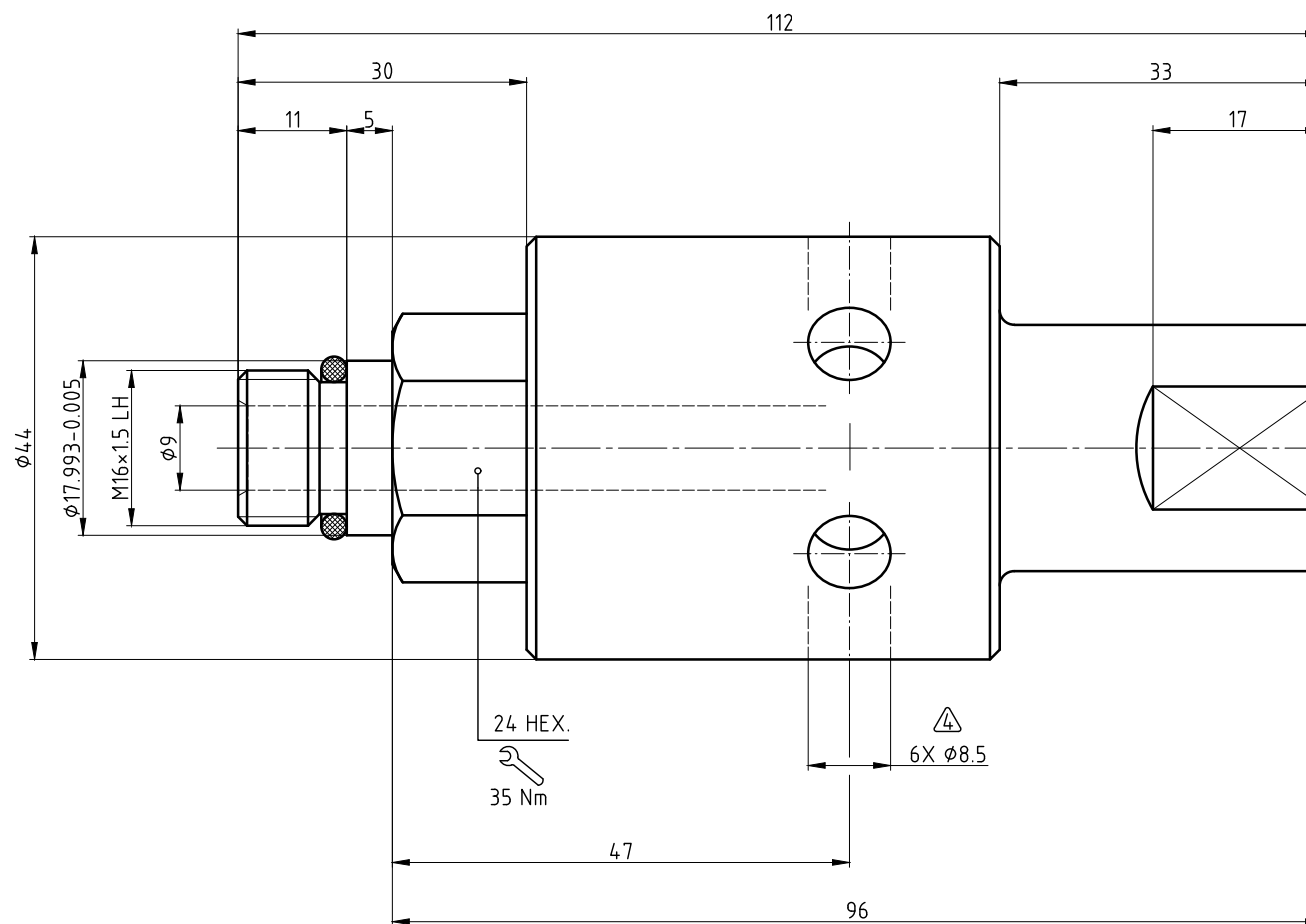
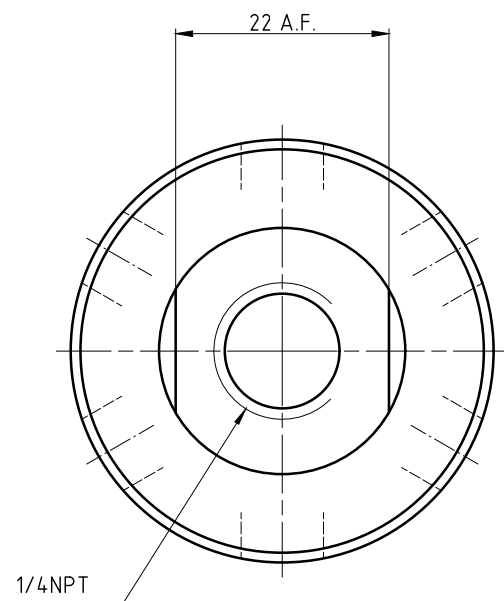
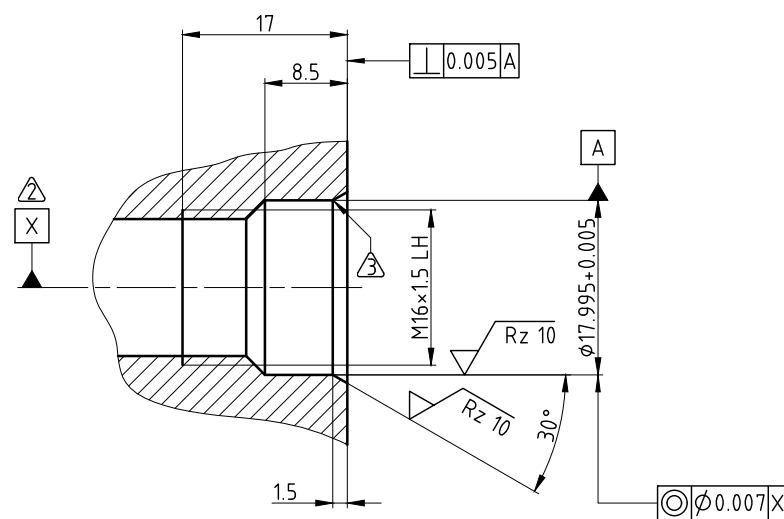


NOTES:

- 1 - USE INSTRUCTION MANUAL 040-554!
-  - SPINDLE BEARING ARRANGEMENT
-  - ROUNDED
-  - VENT

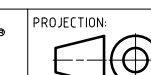


CUSTOMER'S INTERFACE



OPERATING DATA

MEDIA	COOLANT	MQL
PRESSURE MAX.	70 bar	10 bar
SPEED MAX.	12000 min ⁻¹	12000 min ⁻¹
TEMPERATURE MAX.	70 °C	70 °C
FLOW RATE MAX.	82 l/min	2550 Nl/min
DRY RUN	NO	



PROJECTION: 

SCALE: 2:1

MATERIAL: INTERFACE CONTROL DRAWING

DATE	NAME
DRN. 07.04.2010	CW
ENGR. 07.04.2010	FD
APPD.	

TITLE: DEUBLIN ROTATING UNION
 DEUBLIN Drehdurchführung

NO. 1116-048-463