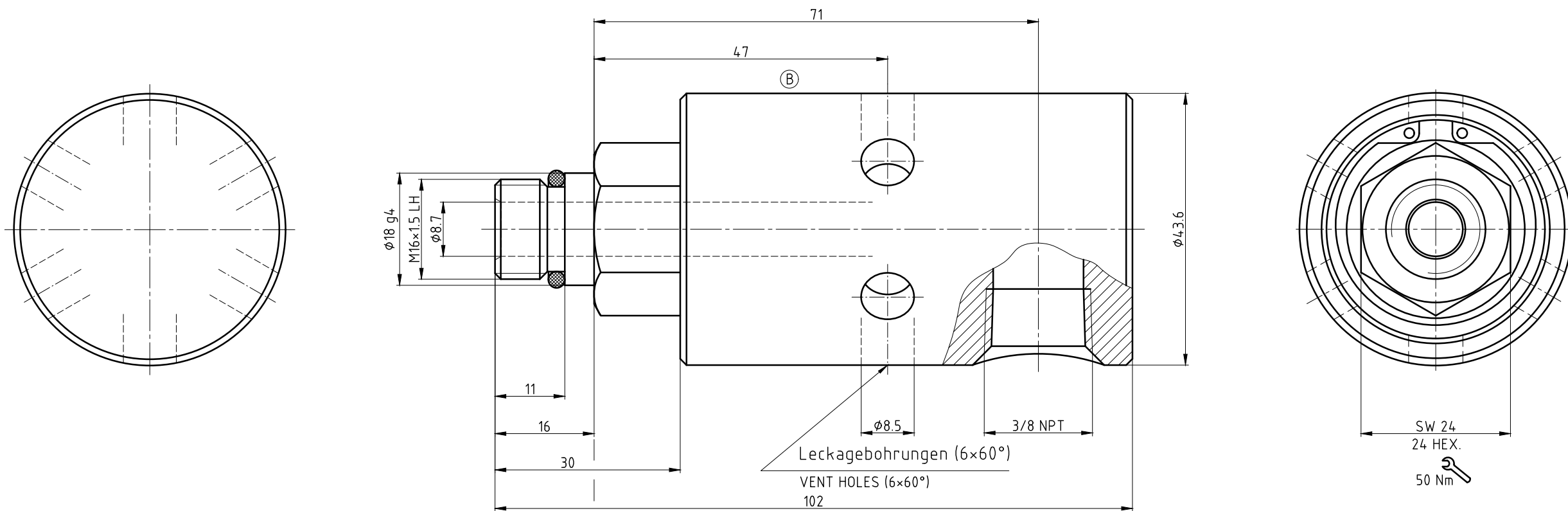
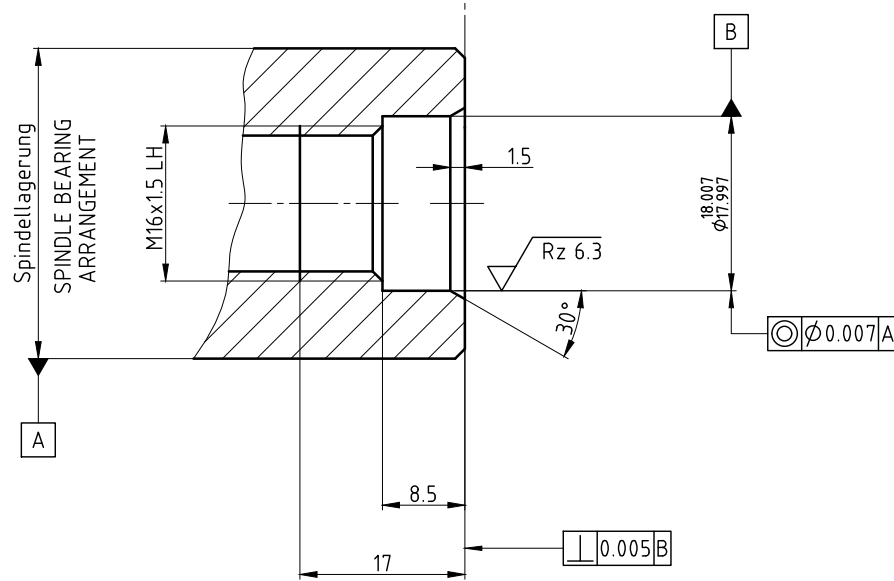


CONFIDENTIAL  
 THIS DOCUMENT CONTAINS CONFIDENTIAL AND PROPRIETARY  
 INFORMATION OF DEUBLIN COMPANY. COPYING, USE,  
 TRANSMISSION, DISTRIBUTION, AND DISCLOSURE ARE SUBJECT  
 TO THE TERMS AND CONDITIONS CONTAINED IN YOUR  
 AGREEMENT WITH DEUBLIN COMPANY. ALL RIGHTS RESERVED.

φ18 q4 -0.006 17.994  
 M a B Toleranz -0.011 17.989



Spindelende des Kunden  
 CUSTOMER'S SPINDLE END



OPERATING DATA / Betriebsdaten

MEDIA/Medium	COOLANT	KSS	CUTTING OIL	Schneidöl	AIR	Luft
p max.	290 PSI	20 bar	290 PSI	20 bar	87 PSI	6 bar
n max.	7000 RPM	7000 1/min	7000 RPM	7000 1/min	3500 RPM	3500 1/min
t max.	250 °F	120 °C	160 °F	70 °C	160 °F	70 °C
FILTRATION/Filterung	10 µm	10 µm	10 µm	10 µm	10 µm	10 µm

ATTENTION!  
 OPERATION BEYOND THE SPECIFIED LIMITS WILL DECREASE THE SERVICE LIFE!

Achtung!  
 Das Überschreiten der angegebenen Parameter verkürzt die Lebensdauer!

DEUBLIN GmbH  
 D-65719 HOFHEIM-WALLAU, GERMANY



SCALE: 2:1

MATERIAL: INTERFACE CONTROL DRAWING

DATE	NAME
DRN. 19.11.2002	F. Dahl
ENGR. 19.11.2002	Ch. Wolf
APPD.	

TITLE: DEUBLIN ROTATING UNION  
 DEUBLIN Drehdurchführung

ISSUE	MODIFICATION	ECO	DATE	SIGN
B	NAMEPLATE REMOVED	005139	10.03.09	HS
a	METRDWG/NO DRY RUN	06041	02.03.06	FD

NO. 1116-052-463

SHEET A2

UNLESS SPECIFICALLY TOLERANCED, ALL DIMENSIONS ARE CONSIDERED REFERENCE